

1394872-1 ✓ ACTIVE

AMP | AMP MCP Connector System

TE Internal #: 1394872-1

Cavity Plug, PA, Natural, -40 – 120 °C [-40 – 248 °F] Operating Temperature, AMP MCP Connector System

[View on TE.com >](#)



Connectors > Connector Accessories > Connector Seals & Cavity Plugs



Connector Seal & Plug Type: **Cavity Plug**

Primary Product Material: **PA**

Primary Product Color: **Natural**

Operating Temperature (Max): **120 °C [248 °F]**

Operating Temperature Range: **-40 – 120 °C [-40 – 248 °F]**

Features

Product Type Features

Connector Seal & Plug Type	Cavity Plug
----------------------------	-------------

Body Features

Primary Product Material	PA
Primary Product Color	Natural

Usage Conditions

Operating Temperature (Max)	120 °C[248 °F]
Operating Temperature Range	-40 – 120 °C[-40 – 248 °F]

Packaging Features

Packaging Quantity	10000
Packaging Method	Bag

Product Compliance

[For compliance documentation, visit the product page on TE.com>](#)

EU RoHS Directive 2011/65/EU	Compliant
EU ELV Directive 2000/53/EC	Compliant
China RoHS 2 Directive MIIT Order No 32, 2016	No Restricted Materials Above Threshold
EU REACH Regulation (EC) No. 1907/2006	Current ECHA Candidate List: JUNE 2023 (235) Candidate List Declared Against: JUNE 2023 (235)



Does not contain REACH SVHC

Halogen Content

Low Halogen - Br, Cl, F, I < 900 ppm per homogenous material. Also BFR/CFR/PVC Free

Solder Process Capability

Not applicable for solder process capability

Product Compliance Disclaimer

This information is provided based on reasonable inquiry of our suppliers and represents our current actual knowledge based on the information they provided. This information is subject to change. The part numbers that TE has identified as EU RoHS compliant have a maximum concentration of 0.1% by weight in homogenous materials for lead, hexavalent chromium, mercury, PBB, PBDE, DBP, BBP, DEHP, DIBP, and 0.01% for cadmium, or qualify for an exemption to these limits as defined in the Annexes of Directive 2011/65/EU (RoHS2). Finished electrical and electronic equipment products will be CE marked as required by Directive 2011/65/EU. Components may not be CE marked. Additionally, the part numbers that TE has identified as EU ELV compliant have a maximum concentration of 0.1% by weight in homogenous materials for lead, hexavalent chromium, and mercury, and 0.01% for cadmium, or qualify for an exemption to these limits as defined in the Annexes of Directive 2000/53/EC (ELV). Regarding the REACH Regulation, the information TE provides on SVHC in articles for this part number is based on the latest European Chemicals Agency (ECHA) 'Guidance on requirements for substances in articles' posted at this URL: <https://echa.europa.eu/guidance-documents/guidance-on-reach>

Compatible Parts



TE Part # CAT-M8793-CH8172
MQS, CONNECTOR HOUSING



TE Part # 2209544-9
60P, PLUG ASSY, NORMAL CODING



TE Part # 2209545-1
94P, MQS CB, REC HSG, ASSY, SEALED



TE Part # 1-1355133-1
HEBEL F. AUFNAHM-GEH



TE Part # 1394909-2
SHIELD, 180 DEG., 94 POSN. RECEPTACLE HSG



TE Part # 1-1355122-2
SHIELD, 60 POSN. RECEPTACLE HOU



TE Part # 1-1355133-2
HEBEL F. AUFNAHM-GEH



TE Part # 2209544-1
60P, MQS CB, REC HSG, ASSY, SEALED



TE Part # 5-284871-2
MULTIPLE CAVITY MASK FOR 94 POS. CONN.



TE Part # 5-284871-3
94 POS, MQS CB, CAVITY BLOCK, COLOR BLACK



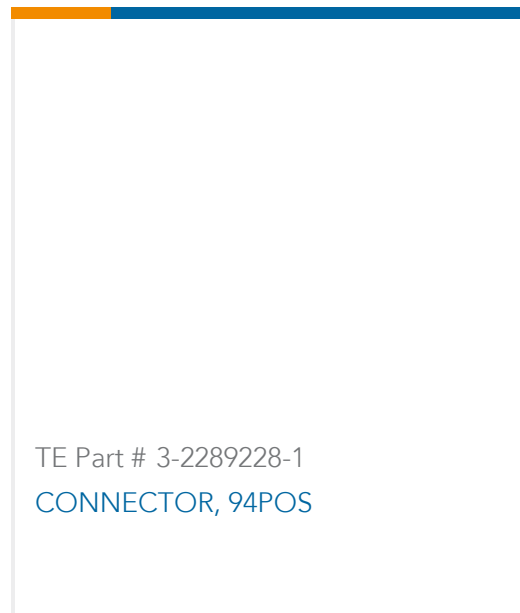
TE Part # 7-1670425-1
COVER MIXED, 0, FOR 94 POS. HSG



TE Part # 9-2289227-1
CONNECTOR, 60 POS



TE Part # 9-2289228-1
CONNECTOR, 94POS



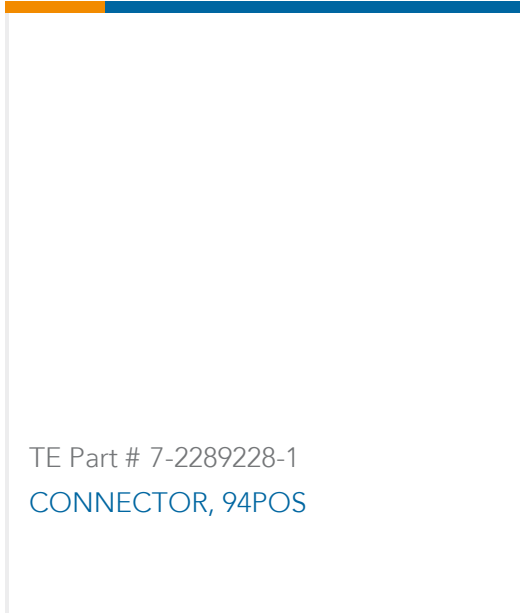
TE Part # 3-2289228-1
CONNECTOR, 94POS



TE Part # 5-284871-5
94POS, MQS CB, CAVITY BLOCK,
COLOR BLUE



TE Part # 7-2289227-1
CONNECTOR, 60POS



TE Part # 7-2289228-1
CONNECTOR, 94POS



TE Part # 1-284871-0
MULTIPLE CAVITY PLUG 94W



TE Part # 1-284871-1
MULTIPLE CAVITY PLUG 94W

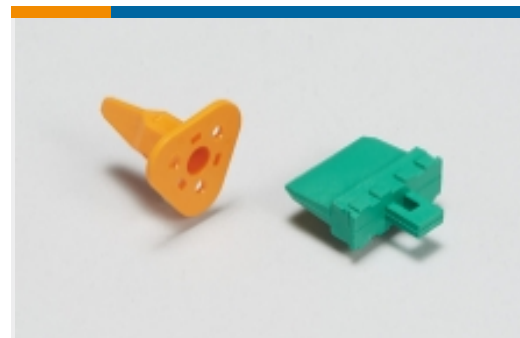


TE Part # 1-284871-2
MULTIPLE CAVITY PLUG 94W

Also in the Series | AMP MCP Connector System



Automotive Connector Caps & Covers
(22)



Automotive Connector Locks &
Position Assurance(6)



Automotive Housings(332)



Automotive Terminals(130)



Connector Seals & Cavity Plugs(7)



Insertion & Extraction Tools(13)



Other Automotive Connector
Accessories(2)



PCB Headers & Receptacles(28)

Customers Also Bought



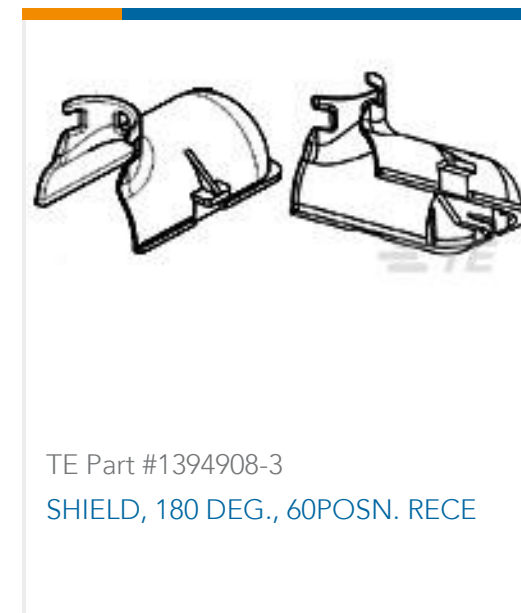
TE Part #3-1534903-5
MQS, CONNECTOR HOUSING



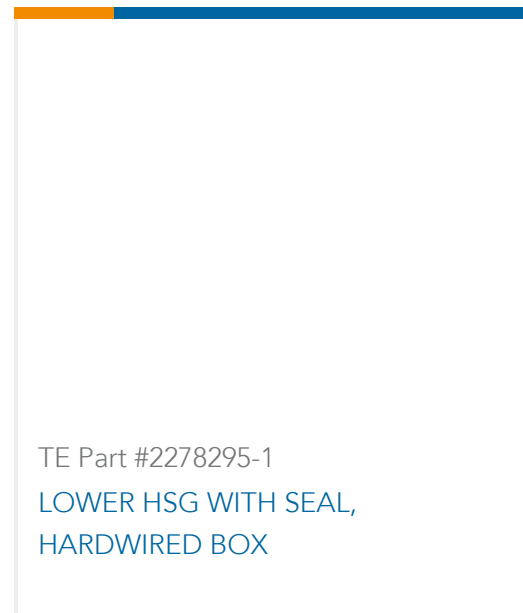
TE Part #2388278-5
SLIDE, TAB HSG ASSY, GROUP D



TE Part #163302-8
MATENLOK SOCKET



TE Part #1394908-3
SHIELD, 180 DEG., 60POSN. RECE



Documents

Product Drawings

SEALING PLUG 1,5MM

English

CAD Files

3D PDF

3D

Customer View Model

[ENG_CVM_CVM_1394872-1_A_c-1394872-1-a.2d_dxf.zip](#)

English

Customer View Model

[ENG_CVM_CVM_1394872-1_A_c-1394872-1-a.3d_igs.zip](#)

English

Customer View Model

[ENG_CVM_CVM_1394872-1_A_c-1394872-1-a.3d_stp.zip](#)

English

By downloading the CAD file I accept and agree to the [Terms and Conditions](#) of use.