

2098377-1 ✓ ACTIVE

1.5/2.8 Connector System

TE Internal #: 2098377-1

Housing for Female Terminals, Wire-to-Wire, 20 Position, .138 in [3.52 mm] Centerline, Black, Wire & Cable, Power & Signal, 1.5/2.8 Connector System

[View on TE.com >](#)



Connectors > Automotive Connectors > Automotive Housings



Connector System: **Wire-to-Wire**

Number of Positions: **20**

Connector & Housing Type: **Housing for Female Terminals**

Centerline (Pitch): **3.52 mm [.138 in]**

Sealable: **No**

Features

Product Type Features

Mixed & Hybrid Connector	Yes
Connector Shape	Rectangular
Connector System	Wire-to-Wire
Connector & Housing Type	Housing for Female Terminals
Sealable	No
Connector & Contact Terminates To	Wire & Cable
Primary Locking Feature	Integrated in Housing

Configuration Features

Number of Positions	20
Number of Rows	2

Electrical Characteristics

Nominal Voltage Architecture	12 V
------------------------------	------

Body Features

Cable Exit Angle	180°
------------------	------



Primary Product Color	Black
Connector & Keying Code	A

Contact Features

Contact Size	1.5mm, 2.8mm
Contact Type	Receptacle
Mating Tab Width	1.5 mm, 2.8 mm [.059 in][.11 in]

Mechanical Attachment

Terminal Position Assurance	Yes
Strain Relief	Without
Mating Alignment Type	Keyed
Mating Alignment	With
Connector Mounting Type	Cable Mount (Free-Hanging)

Housing Features

Housing Material	PBT GF
Centerline (Pitch)	3.52 mm [.138 in]

Dimensions

Row-to-Row Spacing	6.2 mm [.244 in]
--------------------	------------------

Usage Conditions

Operating Temperature (Max)	125 °C [257 °F]
Operating Temperature Range	-30 – 125 °C [-22 – 257 °F]

Operation/Application

Circuit Application	Power & Signal
---------------------	----------------

Industry Standards

Compatible With Agency/Standards Products	SAE/USCAR-2
---	-------------

Packaging Features

Packaging Quantity	390
Packaging Method	Carton

Other

Serviceable	Yes
Connector Position Assurance Capable	No



Product Compliance

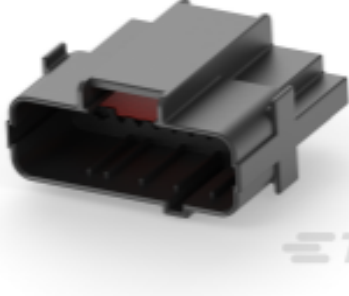


[For compliance documentation, visit the product page on TE.com>](#)

EU RoHS Directive 2011/65/EU	Compliant
EU ELV Directive 2000/53/EC	Compliant
China RoHS 2 Directive MIIT Order No 32, 2016	No Restricted Materials Above Threshold
EU REACH Regulation (EC) No. 1907/2006	Current ECHA Candidate List: JUNE 2023 (235) Candidate List Declared Against: JUNE 2023 (235) Does not contain REACH SVHC
Halogen Content	Low Halogen - Br, Cl, F, I < 900 ppm per homogenous material. Also BFR/CFR/PVC Free
Solder Process Capability	Not applicable for solder process capability

Product Compliance Disclaimer

This information is provided based on reasonable inquiry of our suppliers and represents our current actual knowledge based on the information they provided. This information is subject to change. The part numbers that TE has identified as EU RoHS compliant have a maximum concentration of 0.1% by weight in homogenous materials for lead, hexavalent chromium, mercury, PBB, PBDE, DBP, BBP, DEHP, DIBP, and 0.01% for cadmium, or qualify for an exemption to these limits as defined in the Annexes of Directive 2011/65/EU (RoHS2). Finished electrical and electronic equipment products will be CE marked as required by Directive 2011/65/EU. Components may not be CE marked. Additionally, the part numbers that TE has identified as EU ELV compliant have a maximum concentration of 0.1% by weight in homogenous materials for lead, hexavalent chromium, and mercury, and 0.01% for cadmium, or qualify for an exemption to these limits as defined in the Annexes of Directive 2000/53/EC (ELV). Regarding the REACH Regulation, the information TE provides on SVHC in articles for this part number is based on the latest European Chemicals Agency (ECHA) 'Guidance on requirements for substances in articles' posted at this URL: <https://echa.europa.eu/guidance-documents/guidance-on-reach>

Compatible Parts

 <p>TE Part # 2098380-1 20 POS HYBRID UNSEALED CAP KY-A STD CLIP</p>	 <p>TE Part # 2098378-1 20P PLUG HOUSING KEY A</p>	 <p>TE Part # 2098380-7 20 POS HYBRID UNSEALED CAP KY-A ECP CLIP</p>
---	---	---

Also in the Series | 1.5/2.8 Connector System



Automotive Connector Caps & Covers (6)



Automotive Housings(30)



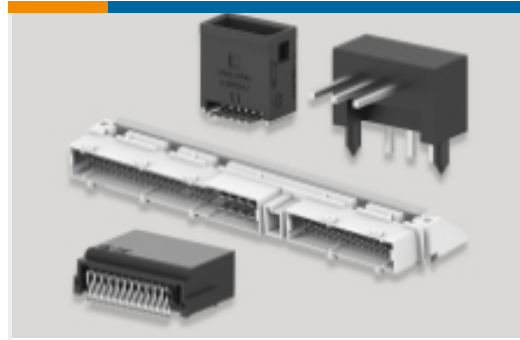
Automotive Terminals(53)



Insertion & Extraction Tools(1)

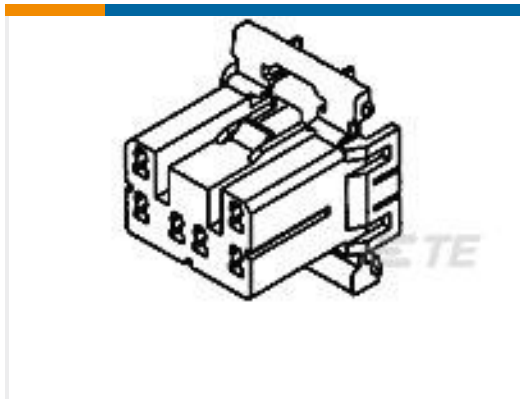


Other Automotive Connector Accessories(1)



PCB Headers & Receptacles(1)

Customers Also Bought



TE Part #282366-1
070 MULTILOCK PLUG HSG. 8 POS



TE Part #2098407-1
1X8 FEMALE ASSY YELLOW KEY B



TE Part #1924900-1
Assy, Plug, 30p Hybrid Key A



TE Part #1924396-1
14P MCON 1.2 SCCM Inner Housing



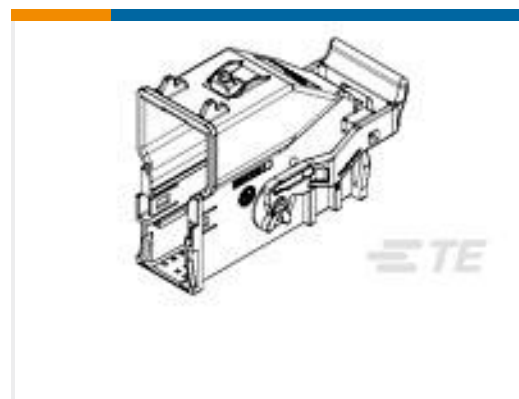
TE Part #2098067-1
Plug Assembly, Hybrid, BCM, IP1, A Key



TE Part #2098067-7
Plug Assembly, Hybrid, BCM, CL, G Key



TE Part #2288276-1
Assy, Plug, USCAR, GenY, 20p, Key A, No CPA



TE Part #1-1924337-3
Shield Assy, 54 POSN, 0.64mm, 20 DEG BLK



TE Part #1-2208021-2
22POS, 0.64 GENER. Y, REC HSG, ASSY



TE Part #1-2287341-2
PROTECTION CAP

Documents



Product Drawings

20P PLUG ASSEMBLY UNSEALED HYBRID A-KEY

English

CAD Files

3D PDF

3D

Customer View Model

[ENG_CVM_CVM_2098377-1_A_c-2098377-1-a.2d_dxf.zip](#)

English

Customer View Model

[ENG_CVM_CVM_2098377-1_A_c-2098377-1-a.3d_igs.zip](#)

English

Customer View Model

[ENG_CVM_CVM_2098377-1_A_c-2098377-1-a.3d_stp.zip](#)

English

By downloading the CAD file I accept and agree to the [Terms and Conditions](#) of use.

Instruction Sheets

Instruction Sheet (U.S.)

English