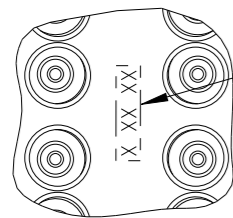
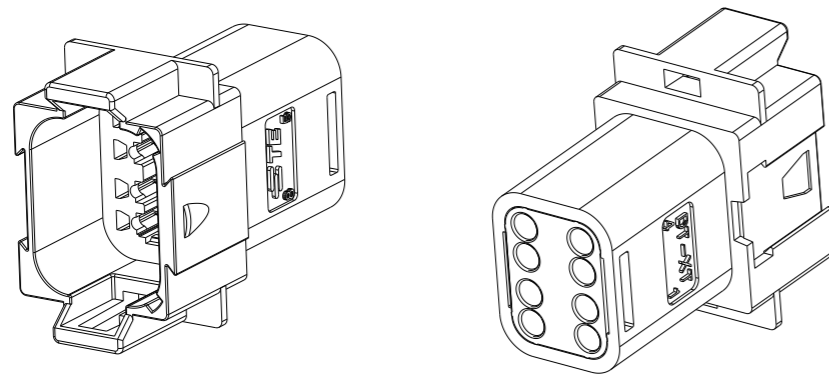


P	LTR	DESCRIPTION	DATE	DWN	APVD
A		INITIAL RELEASE	12JUN2020	J.S	I.Y
A1		ECR-20-010349	26JUL2020	J.G	I.Y
A2		ECN-21-113425	17AUG2021	J.G	Z.Z

8CCT RECEPTACLE CONNECTOR

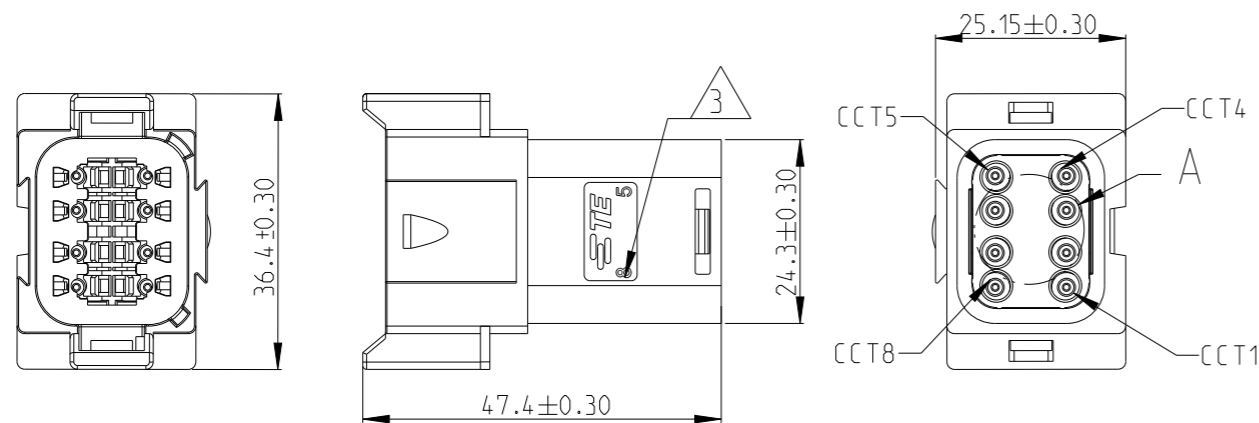
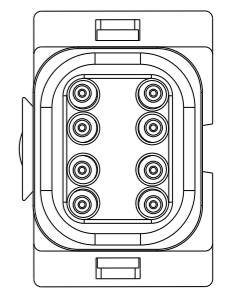
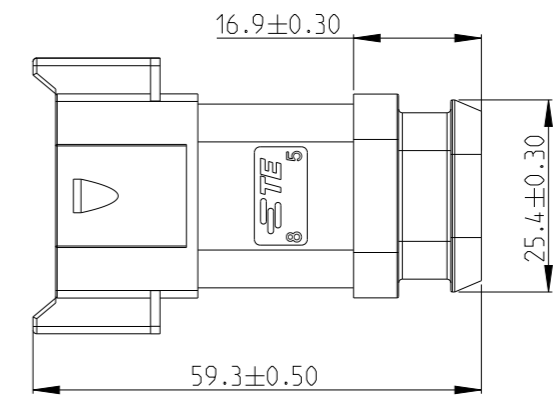
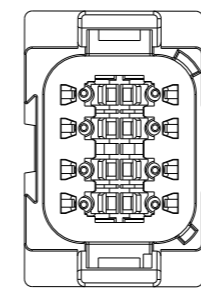
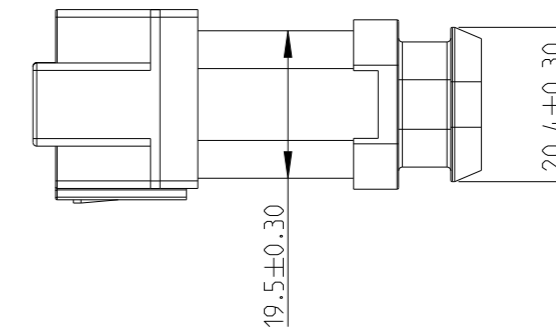
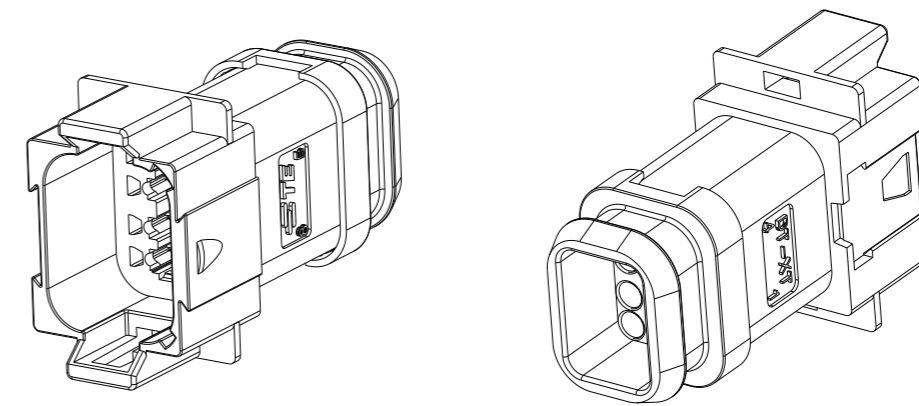


DATE CODE: X XX XX
 X- DAY: 1- 7
 XX- WEEK: 01 - 52
 XX- YEAR: 00 - 99
 # MACHINE NO. 1

EXAMPLE: 11315 = DAY 1, WEEK 13, YEAR 15
 i.e. 23rd OF MARCH 2015

DETAIL A
 SCALE 2:1

8CCT RECEPTACLE CONNECTOR WITH HEATSHRINK HOUSING ULTRASONICALLY WELDED IN PLACE



1. THIS RECEPT MATES WITH PLUG ASSEMBLY PN X-2600039-X, WEDGE LOCK PN W8P.

2. MATERIAL
 RECEPT HOUSING: NYLON GF30
 BACK SEAL: SILICONE RUBBER
 BACK COVER: NYLON GF30, BLACK
 HEATSHRINK HOUSING: NYLON GF30, BLACK

3. CIRCUIT IDENTIFICATION

4. JACKET RANGE LARGE = ϕ 2.23MM TO 3.68MM (SEAL COLOUR: LIGHT BLUE)
 JACKET RANGE SMALL = ϕ 1.35MM TO 3.05MM (SEAL COLOUR: BURNT ORANGE)

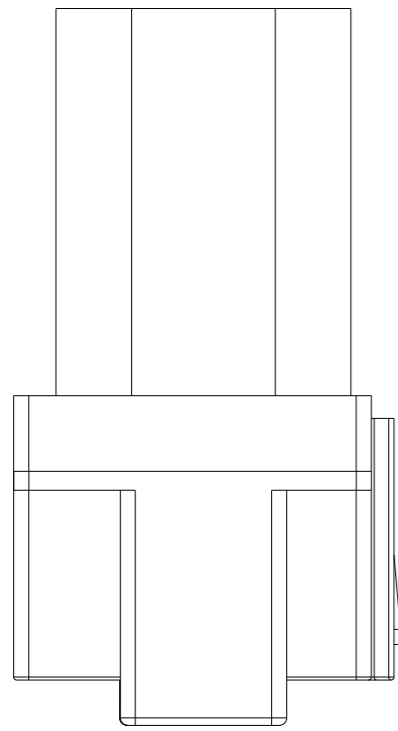
5. SEE SHEET 3 FOR FINAL PART NUMBER DESIGNATION

THIS DRAWING IS A CONTROLLED DOCUMENT.		DWN J. Shang 12JUN2020	TE Connectivity	
DIMENSIONS: mm		CHK E. Jiang 12JUN2020		
TOLERANCES UNLESS OTHERWISE SPECIFIED:		APVD I. Yin 12JUN2020	NAME 8CCT DT-XT CONNECTOR RECEPTACLE ASSEMBLY	
0 PLC \pm 1 PLC \pm 2 PLC \pm 3 PLC \pm 4 PLC \pm ANGLES \pm		PRODUCT SPEC 108-160026	RESTRICTED TO	
MATERIAL		APPLICATION SPEC 114-160017	SIZE A3	CAGE CODE 00779
FINISH		WEIGHT -	DRAWING NO C-2600038	SCALE 1:1
		CUSTOMER DRAWING	SHEET 1 OF 3	REV A2

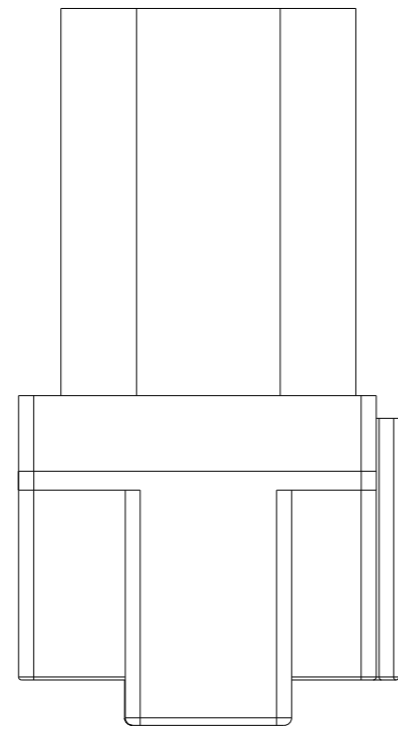
REVISIONS

P	LTR	DESCRIPTION	DATE	DWN	APVD
		SEE SHEET 1			

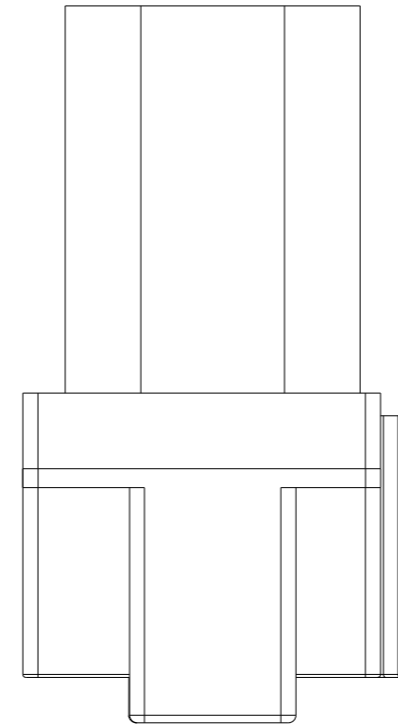
KEYING OPTION A



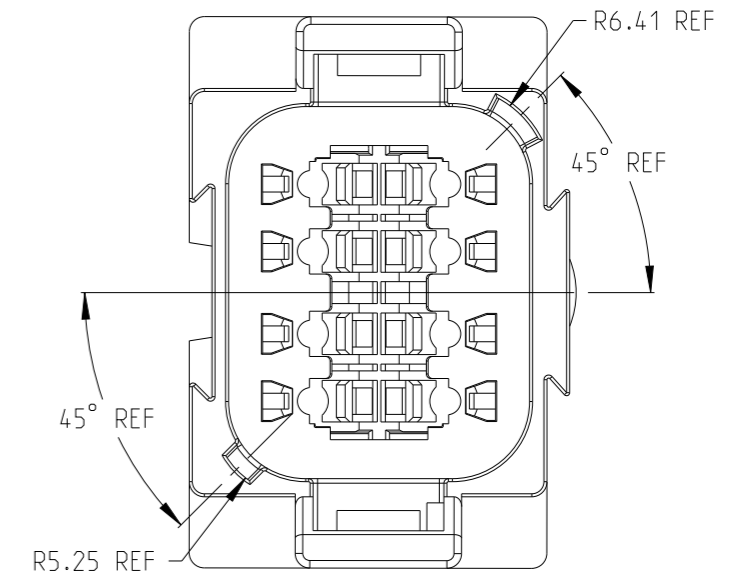
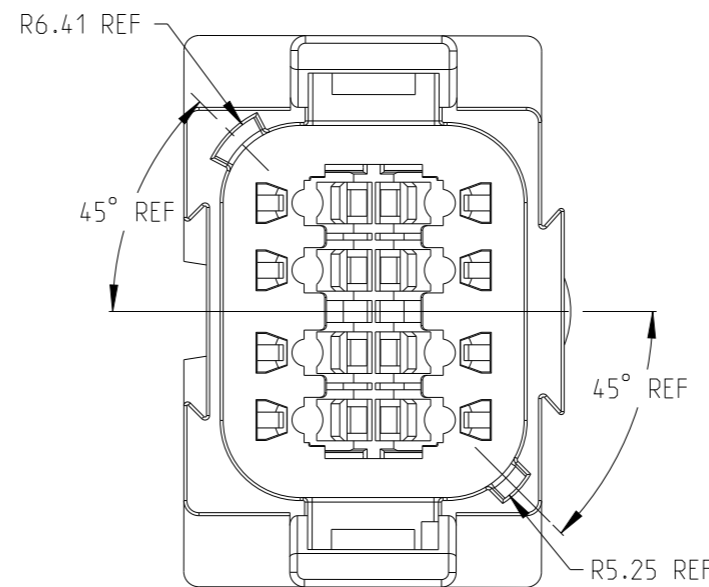
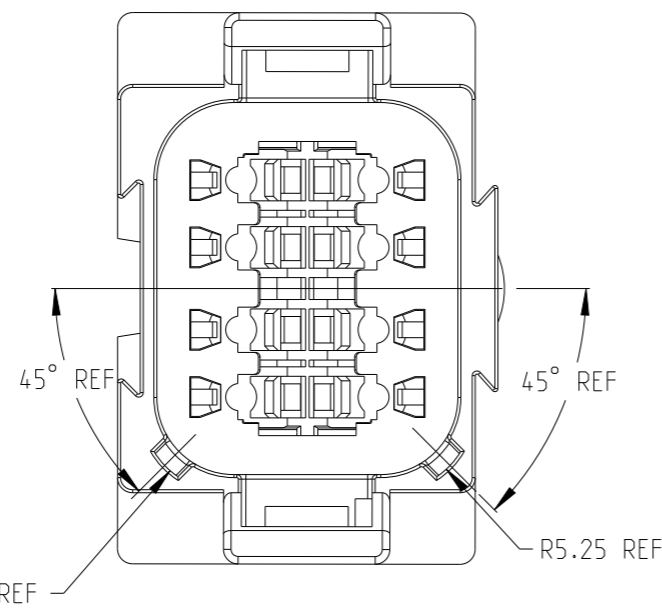
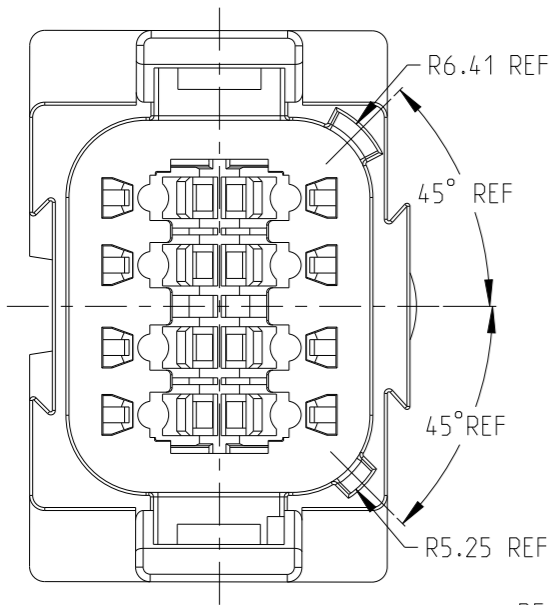
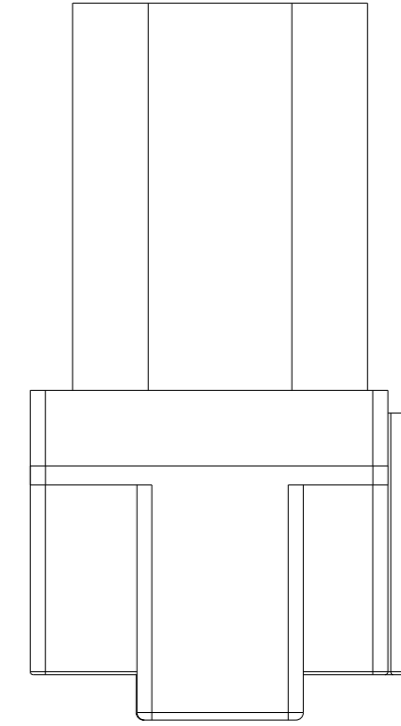
KEYING OPTION B



KEYING OPTION C



KEYING OPTION D



THIS DRAWING IS A CONTROLLED DOCUMENT.

DWN J. Shang 12 JUN 2020

CHK E. Jiang 12 JUN 2020

APVD L. Yin 12 JUN 2020

PRODUCT SPEC

108-160026

APPLICATION SPEC

114-160017

WEIGHT -

CUSTOMER DRAWING



TE Connectivity

NAME 8CCT DT-XT CONNECTOR RECEPTACLE ASSEMBLY

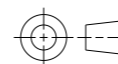
SIZE CAGE CODE DRAWING NO RESTRICTED TO

A3 00779 C-2600038 -

SCALE 2:1 SHEET 2 OF 3 REV A2

DIMENSIONS:

mm



TOLERANCES UNLESS OTHERWISE SPECIFIED:

- 0 PLC ±
- 1 PLC ±
- 2 PLC ±
- 3 PLC ±
- 4 PLC ±
- ANGLES ±
- FINISH -

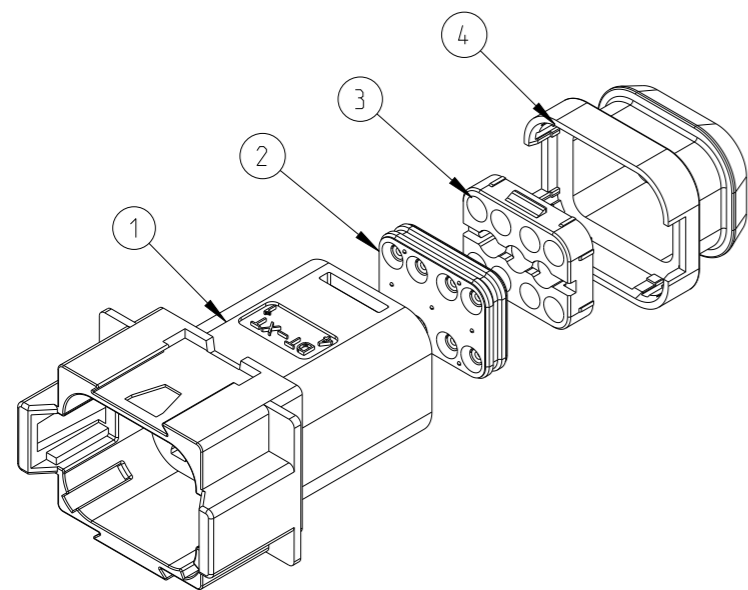
MATERIAL -

-

-

REVISIONS

P	LTR	DESCRIPTION	DATE	DWN	APVD
		SEE SHEET 1			



QTY.	TE PN	ALIAS PN	REVISION OF EACH ASSY NO.	WEIGHT OF EACH ASSY(g)	KEYING	A	A	B	C	D	BACK SEAL SMALL	BACK SEAL LARGE	BACK COVER	HEATSHRINK HOUSING
2-	-0	934445647	-	18.09		-	-	-	-	1	-	1	1	1
1-	-9	934445633	-	18.09		-	-	-	1	-	-	1	1	1
1-	-8	934445621	-	18.09		-	-	1	-	-	-	1	1	1
1-	-7	934445611	-	18.09		-	1	-	-	-	-	1	1	1
1-	-6	934445612	-	18.09		1	-	-	-	-	-	1	1	1
1-	-5	934445547	-	18.09		-	-	-	-	1	1	-	1	1
1-	-4	934445533	-	18.09		-	-	-	1	-	1	-	1	1
1-	-3	934445521	-	18.09		-	-	1	-	-	1	-	1	1
1-	-2	934445511	-	18.09		-	1	-	-	-	1	-	1	1
1-	-1	934445512	-	18.09		1	-	-	-	-	1	-	1	1
1-	-0	934445247	-	15.24		-	-	-	-	1	-	1	1	-
	-9	934445233	-	15.24		-	-	-	1	-	-	1	1	-
	-8	934445221	-	15.24		-	-	1	-	-	-	1	1	-
	-7	934445211	-	15.24		-	1	-	-	-	-	1	1	-
	-6	934445212	-	15.24		1	-	-	-	-	-	1	1	-
	-5	934445147	-	15.24		-	-	-	-	1	1	-	1	-
	-4	934445133	-	15.24		-	-	-	1	-	1	-	1	-
	-3	934445121	-	15.24		-	-	1	-	-	1	-	1	-
	-2	934445111	-	15.24		-	1	-	-	-	1	-	1	-
	-1	934445112	-	15.24		1	-	-	-	-	1	-	1	-
TE PN	ALIAS PN	REVISION OF EACH ASSY NO.	WEIGHT OF EACH ASSY(g)		KEYING	A	A	B	C	D	-	-	-	-
					COLOR	GERY	BLACK	BLACK	GREEN	BROWN	BURNT ORANGE	LIGHT BLUE	BLACK	BLACK
					MATERIAL	NYLON GF30	NYLON GF30	NYLON GF30	NYLON GF30	NYLON GF30	SILICONE RUBBER	SILICONE RUBBER	NYLON GF30	NYLON GF30
					DESCRIPT ION	RECEPTACLE HOUSING					BACK SEAL SMALL	BACK SEAL LARGE	BACK COVER	HEATSHRINK HOUSING
					ITEM NO	1					2		3	4

THIS DRAWING IS A CONTROLLED DOCUMENT.

DWN	J.Shang	12 JUN 2020
CHK	E.Jiang	12 JUN 2020
APVD	L.Yin	12 JUN 2020
PRODUCT SPEC	108-160026	
APPLICATION SPEC	114-160017	
WEIGHT	-	



NAME
8CCT DT-XT CONNECTOR RECEPTACLE ASSEMBLY

DIMENSIONS:	TOLERANCES UNLESS OTHERWISE SPECIFIED:
mm	
	0 PLC ±
	1 PLC ±
	2 PLC ±
	3 PLC ±
	4 PLC ±
	ANGLES ±
MATERIAL	FINISH
-	-
-	-

SIZE	CAGE CODE	DRAWING NO	RESTRICTED TO
A3	00779	©=2600038	-
CUSTOMER DRAWING		SCALE 1:1	SHEET 3 OF 3 REV A2