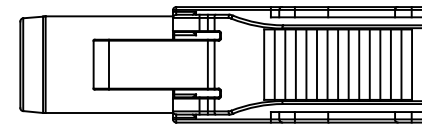
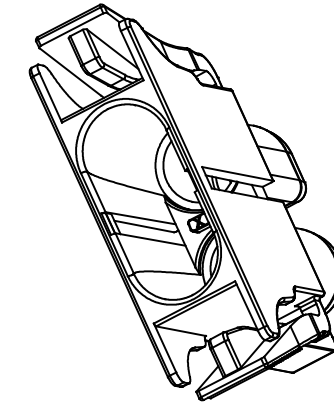
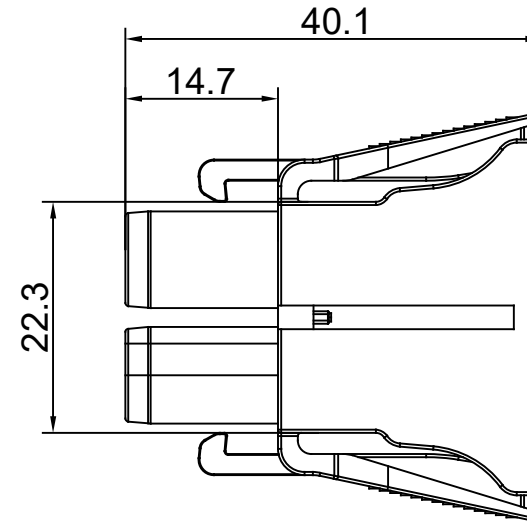
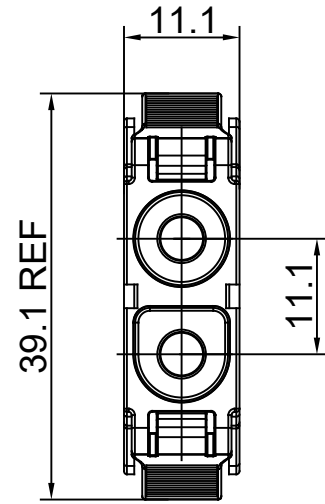


REVISIONS					
REV	ECO	DESCRIPTION	DATE	BY	APPR
A1	--	FIRST RELEASED	APR-10-2020	BLINK	TOMMY



NOTES: (UNLESS OTHERWISE SPECIFIED)

1. MATERIAL:

SHELL: THERMOPLASTIC, UL94 V-0.

2. SPECIFICATIONS:

2.1, OPERATING TEMPERATURE: -40~125°C.

2.2, MATING CYCLES DURABILITY: 100 CYCLES MIN (MATING WITH PL000727).

2.3, RoHS COMPLIANT.

3. ALL DIMENSIONS ARE FOR REFERENCE USE ONLY.

TITLE: TELECOM 4mm CONNECTOR PLUG HOUSING
 DWG NO.: PL000728
 REV: A1
 SH: 1
 OF: 1

QUANTITY	PART NUMBER	DESCRIPTION	ITEM												
MATERIALS LIST															
UNLESS OTHERWISE SPECIFIED 1) All dimensions are in metric(mm). 2) Tolerances are as follows: 1 PL DEC ±0.30 2 PL DEC ±0.15 3 PL DEC ±0.08 Fractions ±1/64 Angles ±1° 3) Note reference =		<table border="1"> <tr> <th>SIGNATURES</th> <th>DATE</th> </tr> <tr> <td>DRAWN: BLINK</td> <td>APR-10-2020</td> </tr> <tr> <td>CHECKED: ORION</td> <td>APR-13-2020</td> </tr> <tr> <td>ENGINEER:</td> <td></td> </tr> <tr> <td>APPROVAL: TOMMY</td> <td>APR-15-2020</td> </tr> <tr> <td>CUSTOMER:</td> <td></td> </tr> </table>	SIGNATURES	DATE	DRAWN: BLINK	APR-10-2020	CHECKED: ORION	APR-13-2020	ENGINEER:		APPROVAL: TOMMY	APR-15-2020	CUSTOMER:		<p style="text-align: center; font-size: 24pt;">Amphenol</p> <p>Sine Systems - www.amphenol-sine.com 44724 Morley Drive Clinton Township, MI 48036</p>
SIGNATURES	DATE														
DRAWN: BLINK	APR-10-2020														
CHECKED: ORION	APR-13-2020														
ENGINEER:															
APPROVAL: TOMMY	APR-15-2020														
CUSTOMER:															
MATERIAL SPECIFICATIONS:		4MM, FEMALE PLUG HOUSING FOR USE WITH PL000729, PRM SERIES™													
PROCESS SPECIFICATIONS:		<table border="1"> <tr> <td>SIZE</td> <td>TYPE</td> <td>DWG NO.</td> <td>REVISION</td> </tr> <tr> <td>B</td> <td>C-</td> <td>PL000728</td> <td>A1</td> </tr> </table>	SIZE	TYPE	DWG NO.	REVISION	B	C-	PL000728	A1					
SIZE	TYPE	DWG NO.	REVISION												
B	C-	PL000728	A1												
NEXT ASSY:		SCALE: NONE	SHEET 1 OF 1												