

2-2350891-1 ✓ ACTIVE

DEUTSCH | DEUTSCH NTSEAL

TE Internal #: 2-2350891-1

Receptacle, Cable-to-Cable, 20 Position, .15 in [3.8 mm] Centerline,
Sealable, Black, Wire & Cable, Cable Mount (Free-Hanging),
DEUTSCH NTSEAL

[View on TE.com >](#)



Connectors > Automotive Connectors > Automotive Housings



Connector System: **Cable-to-Cable**

Number of Positions: **20**

Connector & Housing Type: **Receptacle**

Centerline (Pitch): **3.8 mm [.15 in]**

Sealable: **Yes**

Features

Product Type Features

Mixed & Hybrid Connector	Yes
Connector Shape	Rectangular
Connector System	Cable-to-Cable
Connector & Housing Type	Receptacle
Sealable	Yes
Connector & Contact Terminates To	Wire & Cable
Primary Locking Feature	Locking Lance

Configuration Features

Number of Positions	20
Number of Rows	4

Body Features

Primary Product Color	Black
Connector & Keying Code	A

Contact Features



Contact Size	Size 16, Size 20
Contact Current Rating (Max)	13 A

Mechanical Attachment

Mating Alignment Type	Keyed
Mating Alignment	With
Connector Mounting Type	Cable Mount (Free-Hanging)

Housing Features

Centerline (Pitch)	3.8 mm[.15 in]
--------------------	----------------

Usage Conditions

Operating Temperature (Max)	125 °C[257 °F]
Operating Temperature Range	-40 – 125 °C[-40 – 257 °F]

Product Compliance

[For compliance documentation, visit the product page on TE.com>](#)

EU RoHS Directive 2011/65/EU	Compliant
EU ELV Directive 2000/53/EC	Compliant
China RoHS 2 Directive MIIT Order No 32, 2016	No Restricted Materials Above Threshold
EU REACH Regulation (EC) No. 1907/2006	<p>Current ECHA Candidate List: JUNE 2023 (235)</p> <p>Candidate List Declared Against: JUNE 2023 (235)</p> <p>SVHC > Threshold:</p> <p>Octamethylcyclotetrasiloxane (D4) (.5% in Component part)</p> <p>Decamethylcyclopentasiloxane (D5) (.5% in Component part)</p> <p>Dodecamethylcyclohexasiloxane (D6) (.5% in Component part)</p> <p>Article Safe Usage Statements: Wash thoroughly after handling. Recycle if possible and dispose of the article by following all applicable governmental regulations relevant to your geographic location.</p>
Halogen Content	Low Halogen - Br, Cl, F, I < 900 ppm per homogenous material. Also BFR/CFR/PVC Free
Solder Process Capability	Not reviewed for solder process capability

Product Compliance Disclaimer

This information is provided based on reasonable inquiry of our suppliers and represents our current actual knowledge based on the information they provided. This information is subject to change. The part numbers that TE has identified as EU RoHS compliant have a maximum concentration of 0.1% by weight in homogenous materials for lead, hexavalent

chromium, mercury, PBB, PBDE, DBP, BBP, DEHP, DIBP, and 0.01% for cadmium, or qualify for an exemption to these limits as defined in the Annexes of Directive 2011/65/EU (RoHS2). Finished electrical and electronic equipment products will be CE marked as required by Directive 2011/65/EU. Components may not be CE marked. Additionally, the part numbers that TE has identified as EU ELV compliant have a maximum concentration of 0.1% by weight in homogenous materials for lead, hexavalent chromium, and mercury, and 0.01% for cadmium, or qualify for an exemption to these limits as defined in the Annexes of Directive 2000/53/EC (ELV). Regarding the REACH Regulation, the information TE provides on SVHC in articles for this part number is based on the latest European Chemicals Agency (ECHA) 'Guidance on requirements for substances in articles' posted at this URL: <https://echa.europa.eu/guidance-documents/guidance-on-reach>

Compatible Parts



TE Part # 2350890-1
20POS, HYBRID, SOC HSG ASSY, SLD, COD A



TE Part # 1-2350890-1
20POS, HYBRID, SOC HSG ASSY, SLD, COD A



TE Part # 2350943-1
FIX RING, CONN KIT



TE Part # 2350943-2
FIX RING, CONN KIT



TE Part # 2350943-3
FIX RING, CONN KIT



TE Part # 2350943-4
FIX RING, CONN KIT



TE Part # 2357302-2
BACKSHELL, CONN KIT



TE Part # 2357921-1
BACKSHELL, CONN KIT




TE Part # 2373921-1
CVTY PLUG, PIN DIA 2.5, CVTY DIA, 2.5, GRY




TE Part # 2373921-2
CVTY PLUG, PIN DIA 1.6, CVTY DIA, 1.9, YEL


Also in the Series | DEUTSCH NTSEAL




Automotive Housings(49)



Connector Backshells(7)

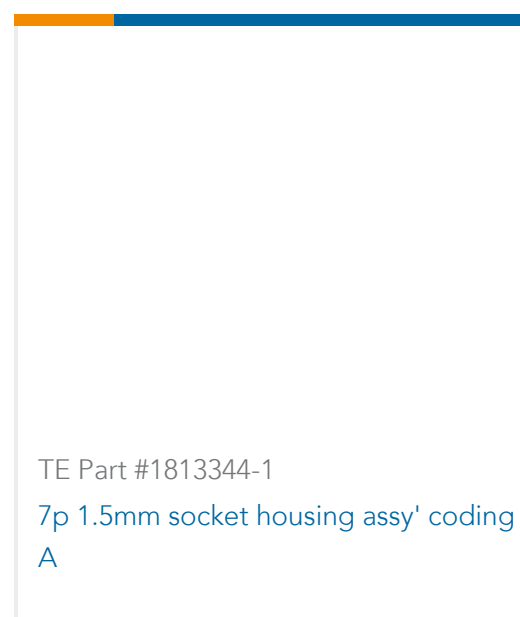
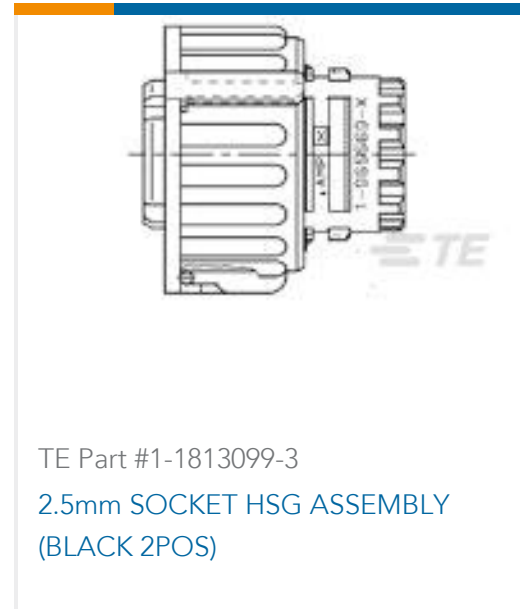


Connector Seals & Cavity Plugs(9)



Other Automotive Connector Accessories(1)

Customers Also Bought



Documents

Product Drawings

[20POS, HYBRID, PIN HSG ASSY, SLD, COD A](#)

English

[20POS, HYBRID, PIN HSG ASSY, SLD, COD A](#)

English

CAD Files

[3D PDF](#)

3D

Customer View Model

[ENG_CVM_CVM_2-2350891-1_A.2d_dxf.zip](#)

English

Customer View Model

[ENG_CVM_CVM_2-2350891-1_A.3d_igs.zip](#)

English

Customer View Model

[ENG_CVM_CVM_2-2350891-1_A.3d_stp.zip](#)



English

By downloading the CAD file I accept and agree to the [Terms and Conditions](#) of use.

Product Specifications

[Application Specification](#)

English

Agency Approvals

[UL Report](#)

English