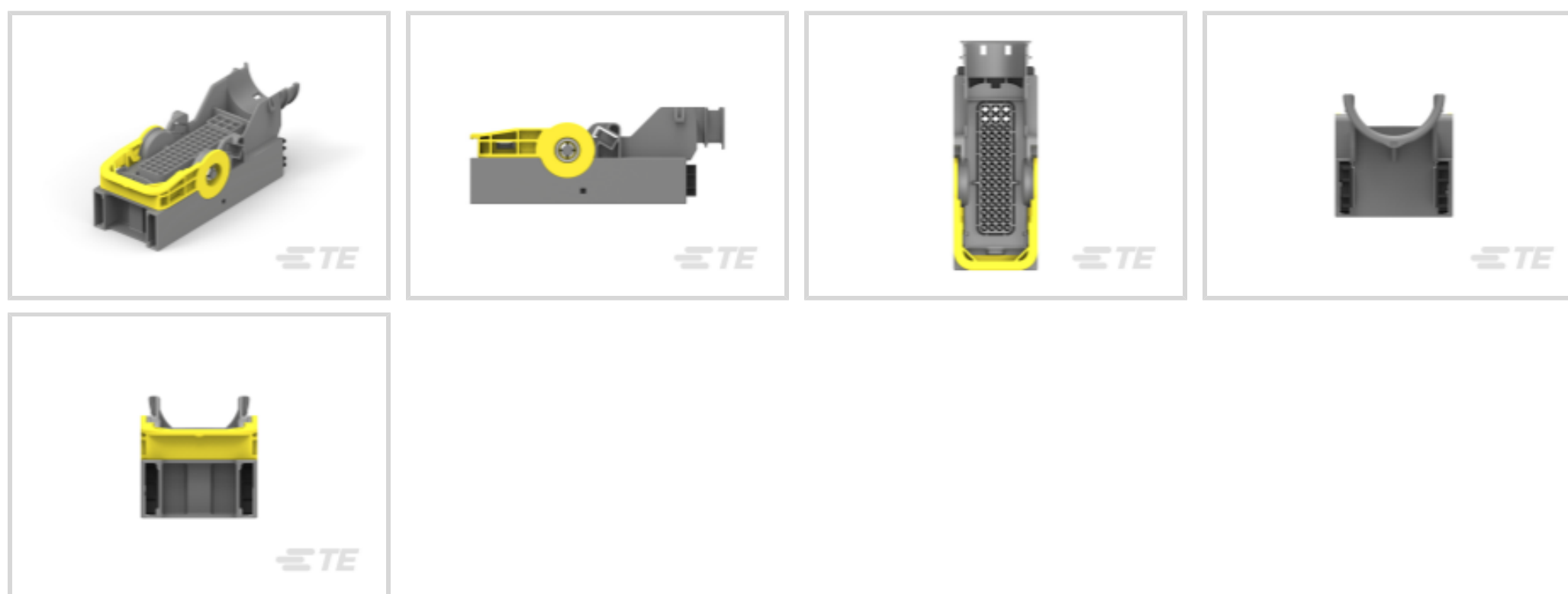




TE Internal #: 2-2293551-1
 Housing for Female Terminals, Wire-to-Panel / Wire-to-Wire, 62
 Position, .197 in / .157 in [5 mm / 4 mm] Centerline, Sealable, Gray,
 Wire & Cable

[View on TE.com >](#)

Connectors > Automotive Connectors > Automotive Housings



Connector System: **Wire-to-Panel, Wire-to-Wire**
 Number of Positions: **62**
 Connector & Housing Type: **Housing for Female Terminals**
 Centerline (Pitch): **4 mm, 5 mm [.157 in, .197 in]**
 Sealable: **Yes**

Features

Product Type Features

Mixed & Hybrid Connector	Yes
Connector Shape	Rectangular
Connector System	Wire-to-Panel, Wire-to-Wire
Connector & Housing Type	Housing for Female Terminals
Sealable	Yes
Connector & Contact Terminates To	Wire & Cable
Primary Locking Feature	Locking Lance

Configuration Features

Number of Positions	62
Number of Rows	3, 4

Electrical Characteristics

Operating Voltage	36 VDC
Nominal Voltage Architecture	12 V

Body Features

--	--



Primary Product Color	Gray
-----------------------	------

Connector & Keying Code	B
-------------------------	---

Contact Features

Contact Size	1.5K, 2.8mm
--------------	-------------

Contact Type	Receptacle
--------------	------------

Mating Tab Width	2.8 mm[.11 in]
------------------	----------------

Contact Current Rating (Max)	40 A
------------------------------	------

Mechanical Attachment

Mating Alignment Type	Keyed
-----------------------	-------

Mating Alignment	With
------------------	------

Connector Mounting Type	Cable Mount (Free-Hanging)
-------------------------	----------------------------

Housing Features

Centerline (Pitch)	4 mm, 5 mm[.157 in][.197 in]
--------------------	------------------------------

Dimensions

Row-to-Row Spacing	4 mm, 5.5 mm[.157 in][.216 in]
--------------------	--------------------------------

Usage Conditions

Operating Temperature (Max)	120 °C[248 °F]
-----------------------------	----------------

Operating Temperature Range	-40 – 120 °C[-40 – 248 °F]
-----------------------------	----------------------------

Operation/Application

Circuit Application	Power & Signal
---------------------	----------------

Other

Connector Position Assurance Capable	Yes
--------------------------------------	-----

Product Compliance

[For compliance documentation, visit the product page on TE.com>](#)

EU RoHS Directive 2011/65/EU	Compliant
------------------------------	-----------

EU ELV Directive 2000/53/EC	Compliant
-----------------------------	-----------

China RoHS 2 Directive MIIT Order No 32, 2016	No Restricted Materials Above Threshold
---	---



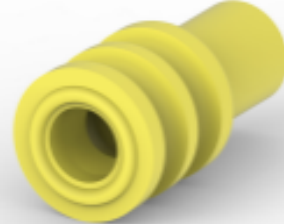


EU REACH Regulation (EC) No. 1907/2006	Current ECHA Candidate List: JUNE 2023 (235) Candidate List Declared Against: JUNE 2023 (235) Does not contain REACH SVHC
--	---

Halogen Content	Low Halogen - Br, Cl, F, I < 900 ppm per homogenous material. Also BFR/CFR/PVC Free
Solder Process Capability	Not reviewed for solder process capability

Product Compliance Disclaimer

This information is provided based on reasonable inquiry of our suppliers and represents our current actual knowledge based on the information they provided. This information is subject to change. The part numbers that TE has identified as EU RoHS compliant have a maximum concentration of 0.1% by weight in homogenous materials for lead, hexavalent chromium, mercury, PBB, PBDE, DBP, BBP, DEHP, DIBP, and 0.01% for cadmium, or qualify for an exemption to these limits as defined in the Annexes of Directive 2011/65/EU (RoHS2). Finished electrical and electronic equipment products will be CE marked as required by Directive 2011/65/EU. Components may not be CE marked. Additionally, the part numbers that TE has identified as EU ELV compliant have a maximum concentration of 0.1% by weight in homogenous materials for lead, hexavalent chromium, and mercury, and 0.01% for cadmium, or qualify for an exemption to these limits as defined in the Annexes of Directive 2000/53/EC (ELV). Regarding the REACH Regulation, the information TE provides on SVHC in articles for this part number is based on the latest European Chemicals Agency (ECHA) 'Guidance on requirements for substances in articles' posted at this URL: <https://echa.europa.eu/guidance-documents/guidance-on-reach>

Compatible Parts

 <p>TE Part # CAT-L489-H342 LEAVYSEAL Headers</p>	 <p>TE Part # 2-1718324-1 1.5/2.8MM TAB HSG.,62POS.,SEALED</p>	 <p>TE Part # 964972-1 EINZELLEITERDICHTNG</p>	 <p>TE Part # 1718328-1 FIXING SLIDE</p>
 <p>TE Part # 1418882-1 COVER FOR 62POS.REC.HSG</p>	 <p>TE Part # CAT-AM705-T273 AMP MCP, RECEPTACLE AND TAB</p>		

Customers Also Bought

 <p>TE Part #132250-2 TERMINAL RING TONGUE PIDG 20 AWG</p>	 <p>TE Part #6-2176403-0 3550 300R 1%</p>	 <p>TE Part #9-2176306-9 RP 1E 0.1W 12K1 0.1% 25PPM 5K RL</p>	 <p>TE Part #1-2176307-0 RP 1E 0.1W 15K4 0.1% 25PPM 5K RL</p>
---	--	--	--



Documents

CAD Files

[3D PDF](#)

[3D](#)

[Customer View Model](#)

[ENG_CVM_CVM_2-2293551-1_A.2d_dxf.zip](#)

English

[Customer View Model](#)

[ENG_CVM_CVM_2-2293551-1_A.3d_igs.zip](#)

English

[Customer View Model](#)

[ENG_CVM_CVM_2-2293551-1_A.3d_stp.zip](#)

English

By downloading the CAD file I accept and agree to the [Terms and Conditions](#) of use.

Product Specifications

[Application Specification](#)

German