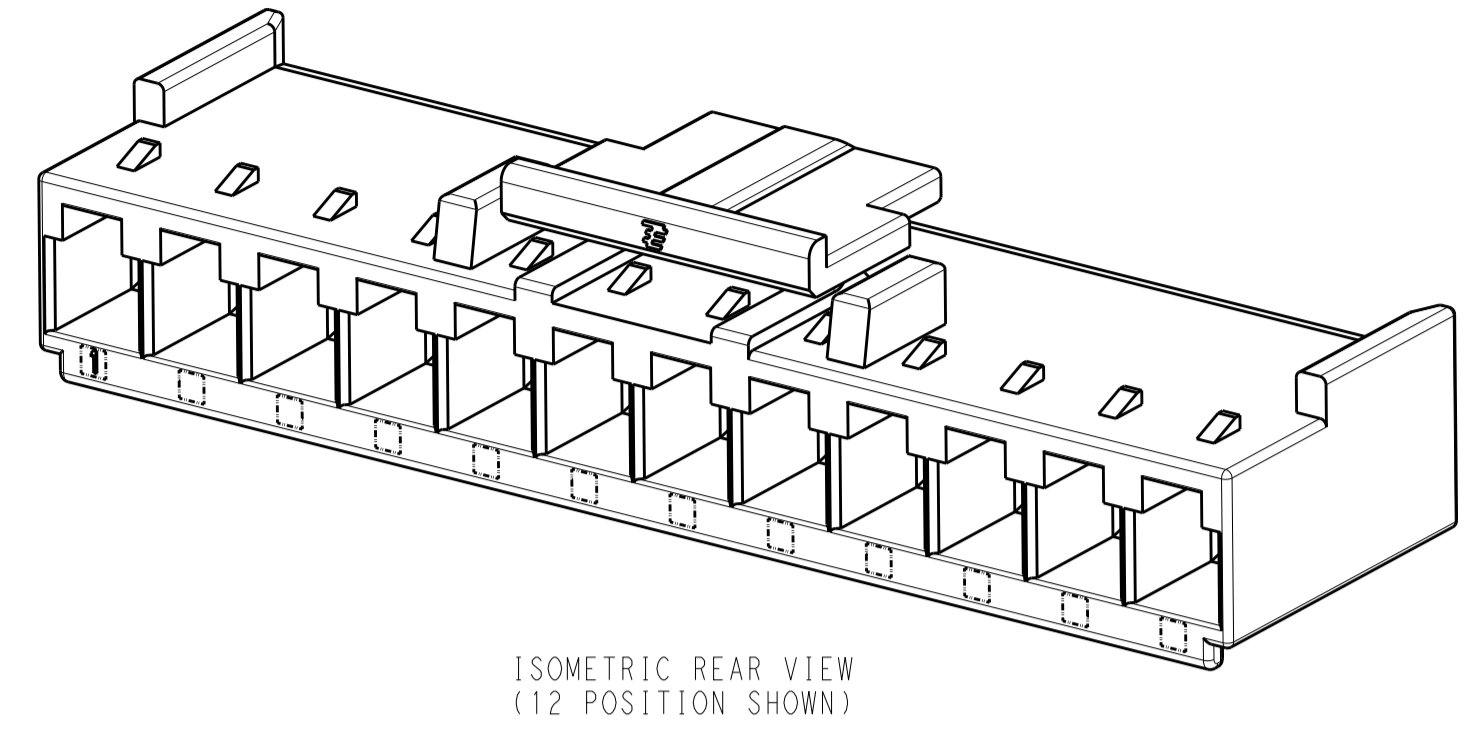
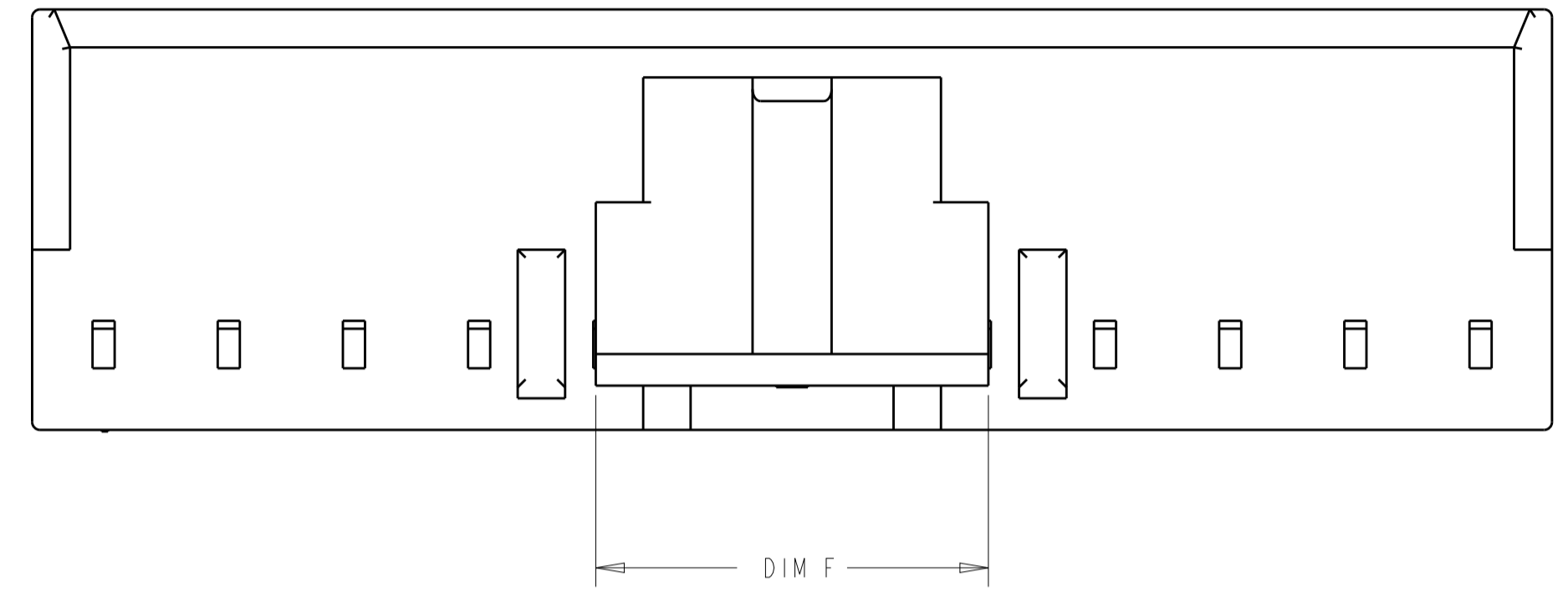
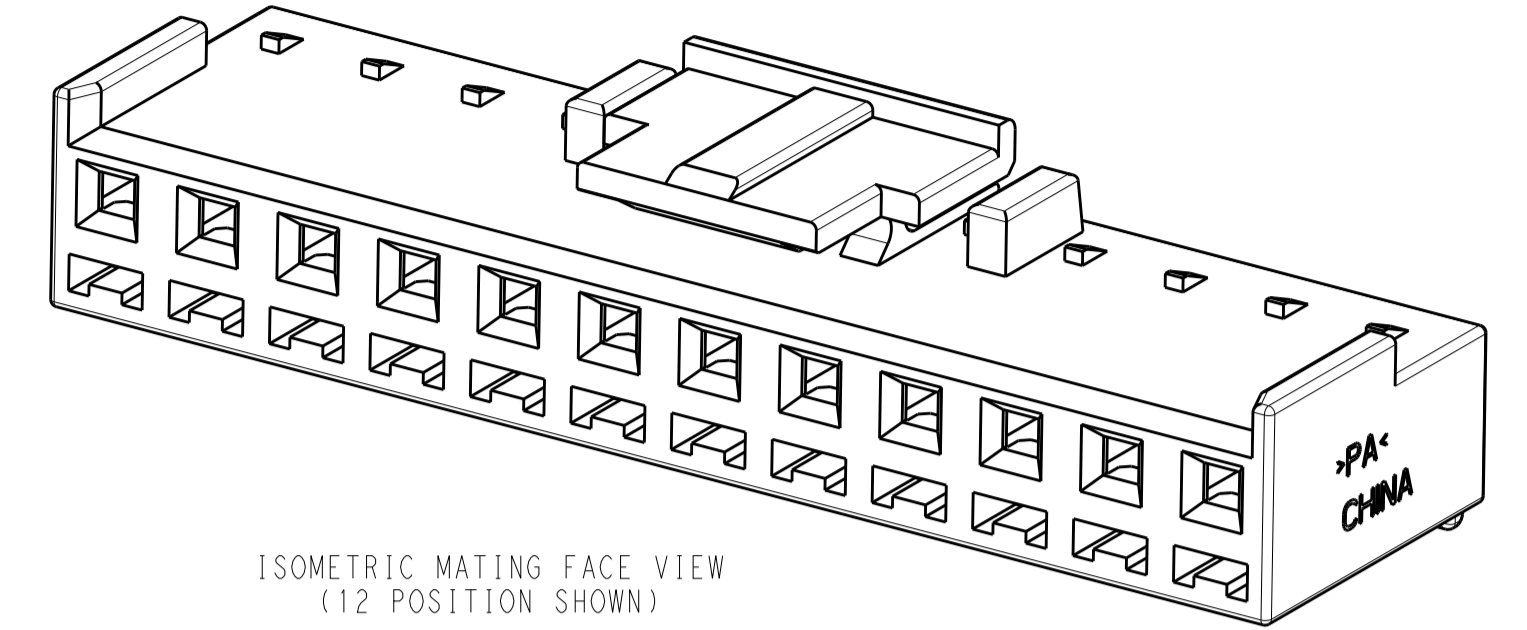


LOC	DIST	REVISIONS			
P	LTN	DESCRIPTION	DATE	DWN	APVD
B		REVISED PER ECR-14-007967	19JUN2014	NK	MS

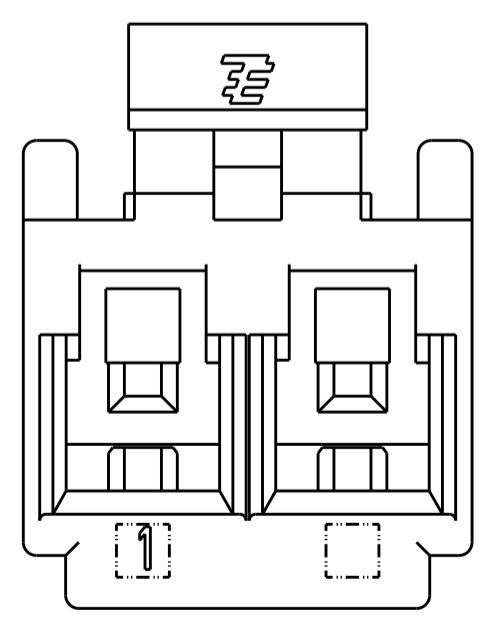
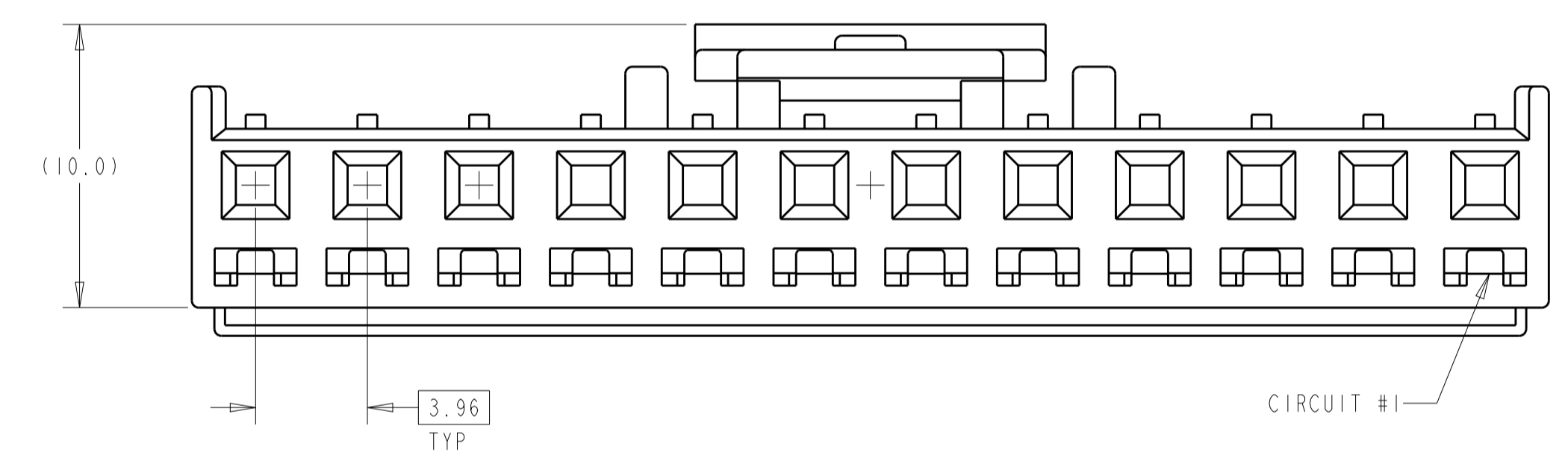
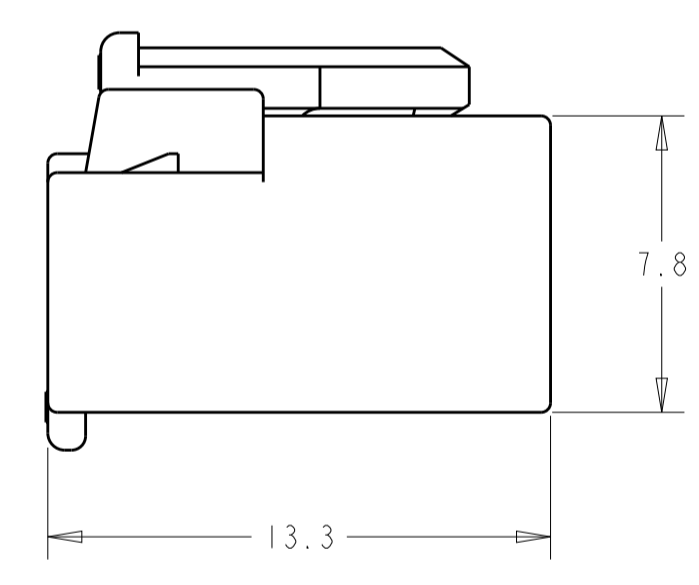
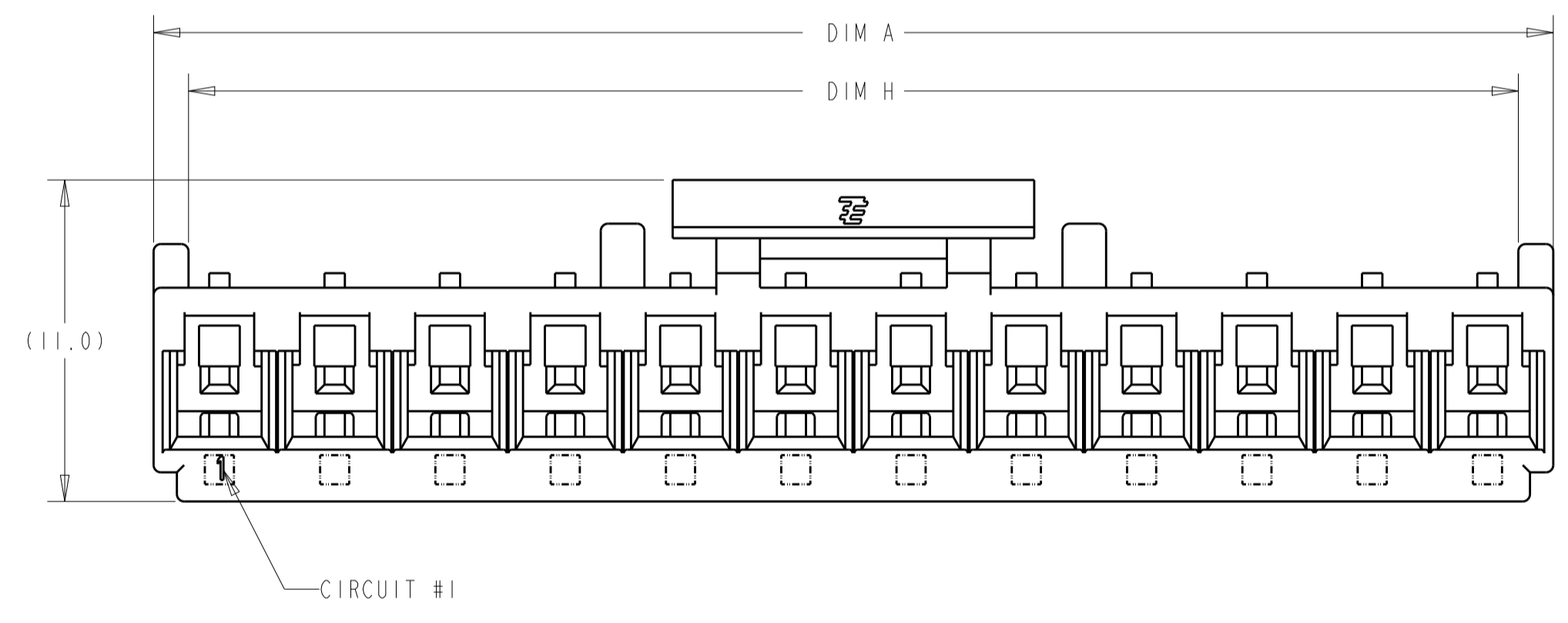


ISOMETRIC REAR VIEW  
(12 POSITION SHOWN)

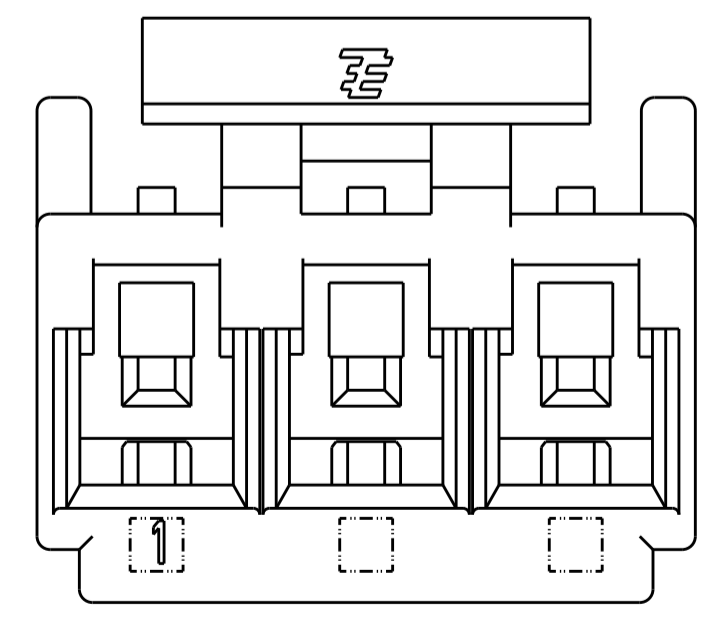


ISOMETRIC MATING FACE VIEW  
(12 POSITION SHOWN)

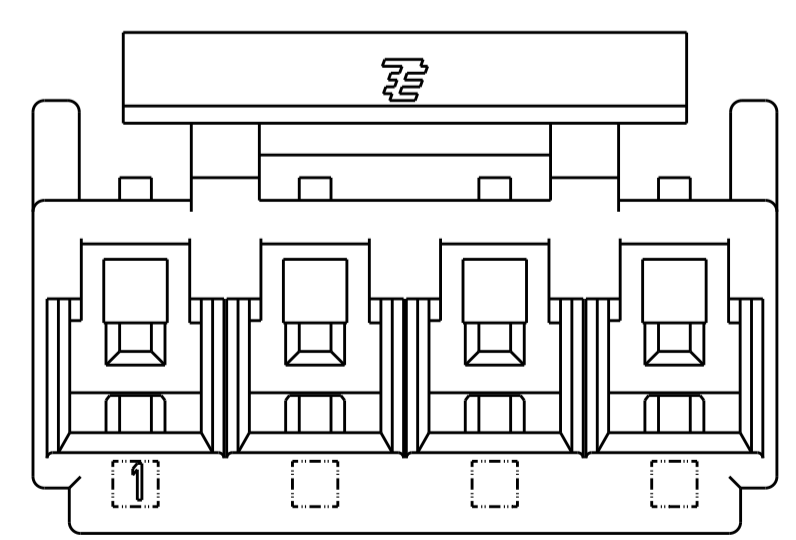
△ MATERIAL: NYLON, UL94V-0 FLAME RETARDENT, COLOR: ORANGE  
 2 HOUSINGS TO USE "RETAINER":  
 "BREAKAWAY RETAINER" P/N: 1-2132782-2 (12 POSITION),  
 12 POSITION PART TO BE SEPERATED AT APPROPRIATE NOTCHES TO FIT  
 2 POSITION THRU 11 POSITION HOUSINGS  
 "NORMAL RETAINER" P/N: X-1744544-X  
 WHERE XX IS THE NUMBER OF POSITIONS.



(2 POSITION SHOWN)



(3 POSITION SHOWN)



(4 POSITION SHOWN)

H	F	A	NO OF POSN	PART NUMBER
45.68	12.42	48.08	12	1-1744493-2
41.72	8.46	44.12	11	1-1744493-1
37.76	12.42	40.16	10	1-1744493-0
33.80	8.46	36.20	9	1744493-9
29.84	12.42	32.24	8	1744493-8
25.88	8.46	28.28	7	1744493-7
21.92	12.42	24.32	6	1744493-6
17.96	8.46	20.36	5	1744493-5
14.36	12.42	16.40	4	1744493-4
10.40	8.46	12.44	3	1744493-3
6.44	4.50	8.48	2	1744493-2

THIS DRAWING IS A CONTROLLED DOCUMENT. DWN: KIRAN HOLAL 13AUG2012  
 CHK: MACE SAM 13AUG2012  
 NAME: RECEPTACLE HOUSING, ECONOMY POWER II, 3.96 CENTERLINE WITH RETAINING FEATURES ORANGE

TE Connectivity

RECEPTACLE HOUSING, ECONOMY POWER II, 3.96 CENTERLINE WITH RETAINING FEATURES ORANGE

SIZE: A1 CAGE CODE: 00779 DRAWING NO: 1744493  
 SCALE: 6:1 SHEET: 1 OF 1 REV: B

MATERIAL: NYLON  
 DIMENSIONS: mm  
 TOLERANCES UNLESS OTHERWISE SPECIFIED:  
 0 PLC ±0.5  
 1 PLC ±0.30  
 2 PLC ±0.30  
 3 PLC ±0.30  
 4 PLC ±0.0001  
 ANGLES ±0.0001

Customer Drawing