



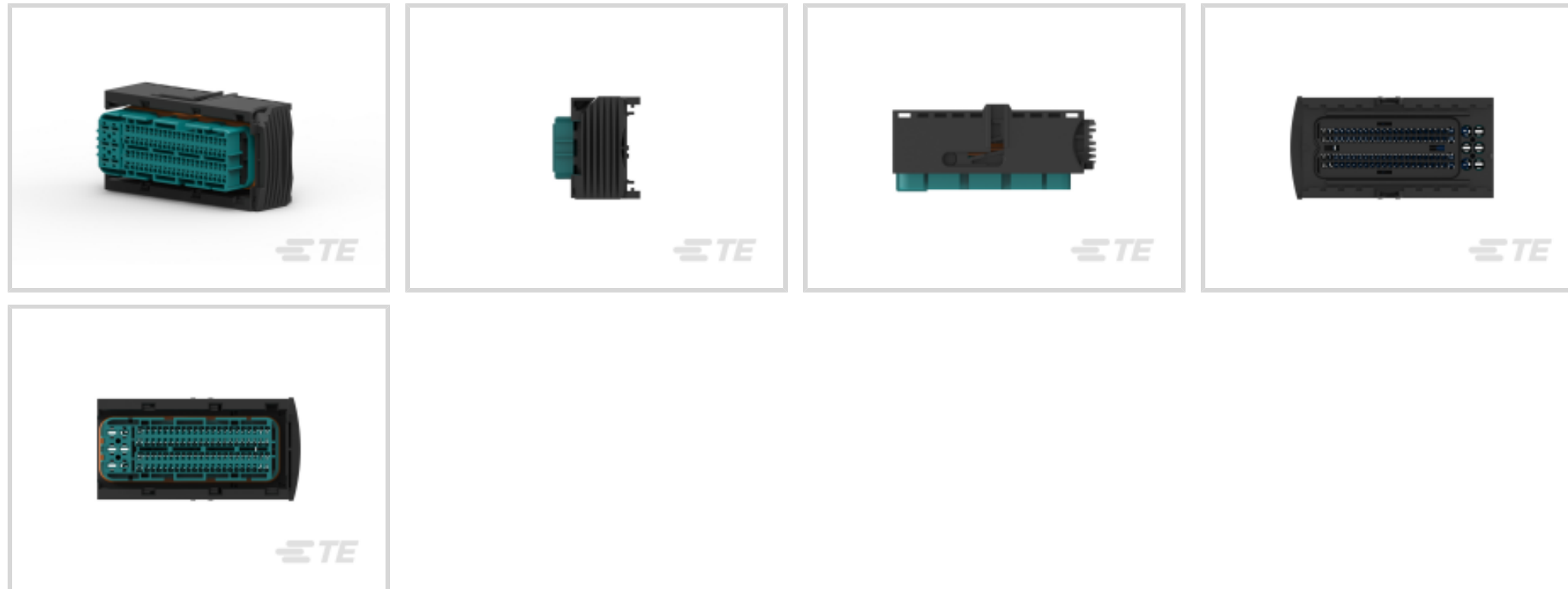
**MQS**

TE Internal #: 2209545-9

Housing for Female Terminals, Wire-to-Board / Wire-to-Device, 94 Position, .098 in [2.5 mm] Centerline, Black, Signal, Cable Mount (Free-Hanging), MQS

[View on TE.com >](#)

Connectors > Automotive Connectors > Automotive Housings > MQS, CONNECTOR HOUSING



Connector System: **Wire-to-Board, Wire-to-Device**

Number of Positions: **94**

Connector & Housing Type: **Housing for Female Terminals**

Centerline (Pitch): **2.5 mm [ .098 in ]**

Sealable: **No**

[All MQS, CONNECTOR HOUSING \(437\)](#)

**Features**

**Product Type Features**

Mixed & Hybrid Connector	Yes
Connector Shape	Rectangular
Connector System	Wire-to-Board, Wire-to-Device
Connector & Housing Type	Housing for Female Terminals
Sealable	No
Primary Locking Feature	Integrated in Housing

**Configuration Features**

Number of Positions	94
Number of Rows	4

**Body Features**

Cable Exit Angle	115°, 45°, 90°
Primary Product Color	Black



### Contact Features

Contact Size	.63mm, 1.5mm, 2.8K
Contact Type	Receptacle
Mating Tab Width	.64 mm, 1.5 mm, 2.8 mm [.025 in][.059 in][.11 in]

### Mechanical Attachment

Terminal Position Assurance	Yes
Strain Relief	Without
Mating Alignment Type	Keyed
Mating Alignment	With
Connector Mounting Type	Cable Mount (Free-Hanging)

### Housing Features

Housing Material	PBT GF
Centerline (Pitch)	2.5 mm [.098 in]

### Dimensions

Connector Height	29 mm [1.142 in]
Product Width	43 mm [1.692 in]
Product Length	85.25 mm [3.356 in]
Row-to-Row Spacing	2.5 mm [.098 in]

### Usage Conditions

Operating Temperature (Max)	70 °C, 75 °C, 80 °C, 85 °C, 90 °C, 100 °C, 105 °C, 110 °C, 120 °C, 125 °C [158 °F][167 °F][176 °F][185 °F][194 °F][212 °F][221 °F][230 °F][248 °F][257 °F]
Operating Temperature Range	-40 – 125 °C [-40 – 257 °F]

### Operation/Application

Circuit Application	Signal
---------------------	--------

### Industry Standards

Degree of Protection	IPX9K
Compatible With Agency/Standards Products	DIN IEC 512
UL Flammability Rating	UL 94V-2

### Packaging Features

Packaging Quantity	1
--------------------	---



Packaging Method Box

**Other**

Serviceable Yes

Connector Position Assurance Capable No

**Product Compliance**

[For compliance documentation, visit the product page on TE.com>](#)

EU RoHS Directive 2011/65/EU Compliant

EU ELV Directive 2000/53/EC Compliant

China RoHS 2 Directive MIIT Order No 32, 2016 No Restricted Materials Above Threshold

EU REACH Regulation (EC) No. 1907/2006 Current ECHA Candidate List: JUNE 2023 (235)  
Candidate List Declared Against: JUNE 2023 (235)  
SVHC > Threshold:  
Octamethylcyclotetrasiloxane (D4) (.5% in Component part)  
Decamethylcyclopentasiloxane (D5) (.5% in Component part)  
Dodecamethylcyclohexasiloxane (D6) (.5% in Component part)  
**Article Safe Usage Statements:**  
Wash thoroughly after handling. Recycle if possible and dispose of the article by following all applicable governmental regulations relevant to your geographic location.

Halogen Content BFR/CFR/PVC Free, but Br/Cl >900 ppm in other sources.

Solder Process Capability Not reviewed for solder process capability

**Product Compliance Disclaimer**

This information is provided based on reasonable inquiry of our suppliers and represents our current actual knowledge based on the information they provided. This information is subject to change. The part numbers that TE has identified as EU RoHS compliant have a maximum concentration of 0.1% by weight in homogenous materials for lead, hexavalent chromium, mercury, PBB, PBDE, DBP, BBP, DEHP, DIBP, and 0.01% for cadmium, or qualify for an exemption to these limits as defined in the Annexes of Directive 2011/65/EU (RoHS2). Finished electrical and electronic equipment products will be CE marked as required by Directive 2011/65/EU. Components may not be CE marked. Additionally, the part numbers that TE has identified as EU ELV compliant have a maximum concentration of 0.1% by weight in homogenous materials for lead, hexavalent chromium, and mercury, and 0.01% for cadmium, or qualify for an exemption to these limits as defined in the Annexes of Directive 2000/53/EC (ELV). Regarding the REACH Regulation, the information TE provides on SVHC in articles for this part number is based on the latest European Chemicals Agency (ECHA) 'Guidance on requirements for substances in articles' posted at this URL: <https://echa.europa.eu/guidance-documents/guidance-on-reach>

**Compatible Parts**



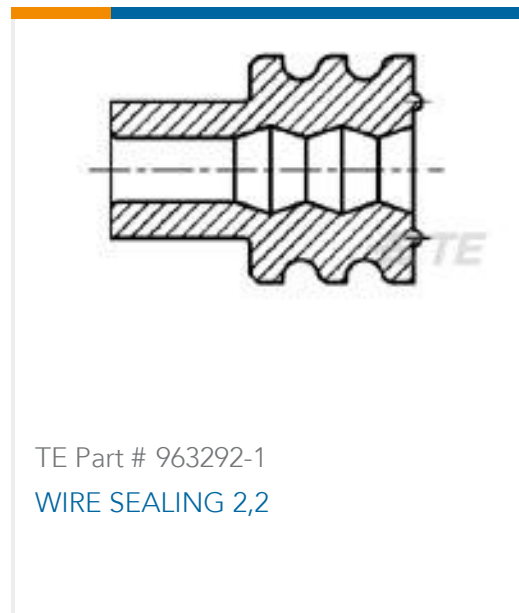
TE Part # CAT-M8793-T273  
MQS, RECEPTACLE AND TAB



TE Part # 828922-1  
2,5MM CAVITY PLUG FOR 5,4MM DI



TE Part # 963293-1  
SEALING F JPT+2,8



TE Part # 963292-1  
WIRE SEALING 2,2



TE Part # 963294-1  
SINGLE WIRE SEAL INSULATION DI



TE Part # 1394871-1  
MQS DICHTSTOPFEN



TE Part # CAT-AM705-T273  
AMP MCP, RECEPTACLE AND TAB



TE Part # 2137752-1  
Lever for 154P ECU connector



TE Part # 1394872-1  
SEALING PLUG 1,5MM



TE Part # 2300724-1  
REC CONN CVR,94POS,AMP 0.64



TE Part # 2301335-2  
94POS,HYBRID,HDR ASSY,90DEG

Also in the Series | MQS



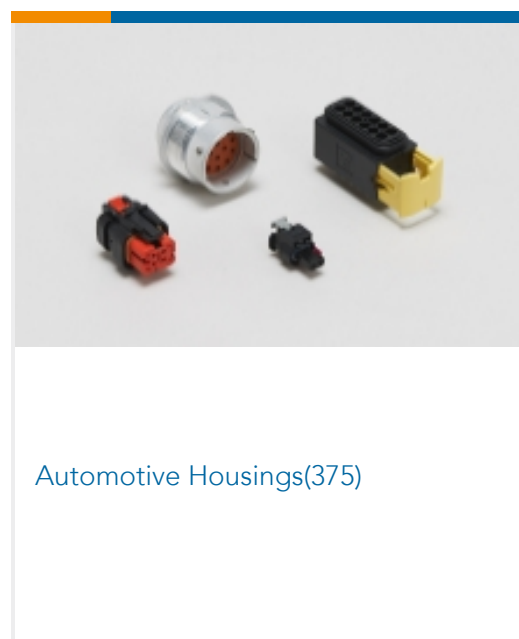
Automotive Connector Caps & Covers  
(111)



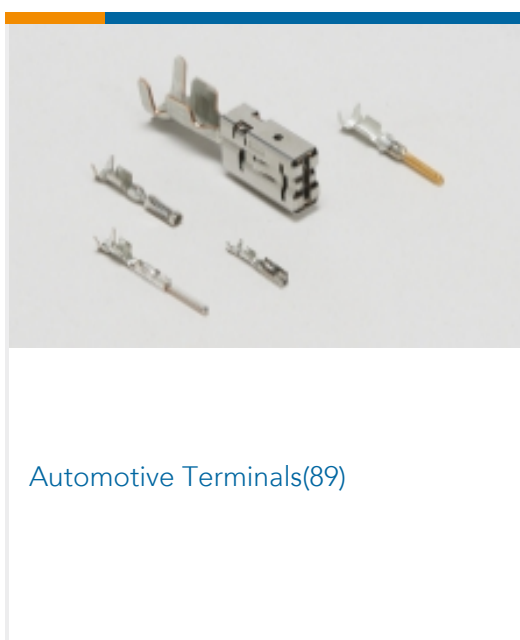
Automotive Connector EMC Shielding  
(3)



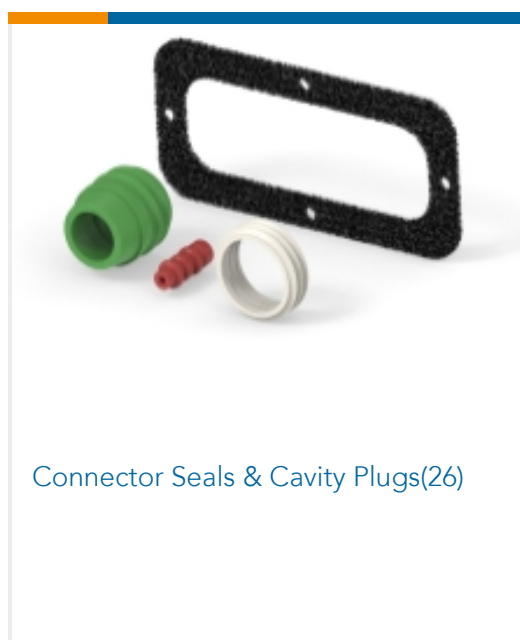
Automotive Connector Locks &  
Position Assurance(27)



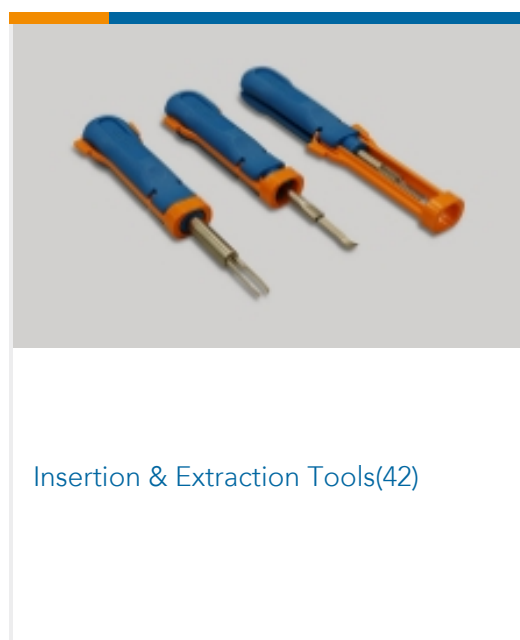
Automotive Housings(375)



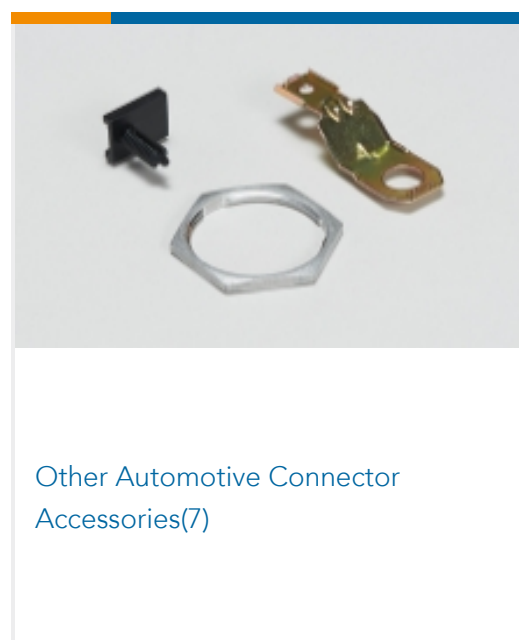
Automotive Terminals(89)



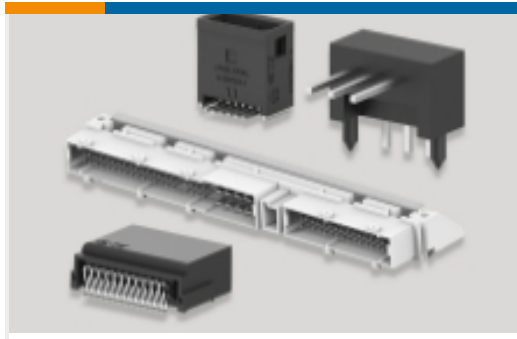
Connector Seals & Cavity Plugs(26)



Insertion & Extraction Tools(42)



Other Automotive Connector  
Accessories(7)

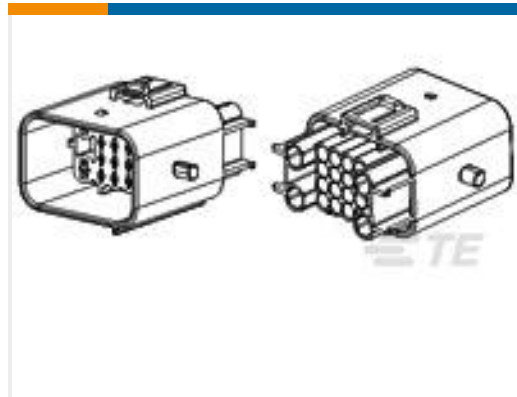


PCB Headers & Receptacles(143)

## Customers Also Bought



TE Part #1473244-1  
MQS, CONNECTOR HOUSING



TE Part #936780-2  
MT-II/JPT SLD 20P CAP HSG



TE Part #2209544-9  
60P, PLUG ASSY, NORMAL CODING



TE Part #2137752-1  
Lever for 154P ECU connector



TE Part #2050046-1  
2POS 2.8MM SENSOR PLUG ASSY.



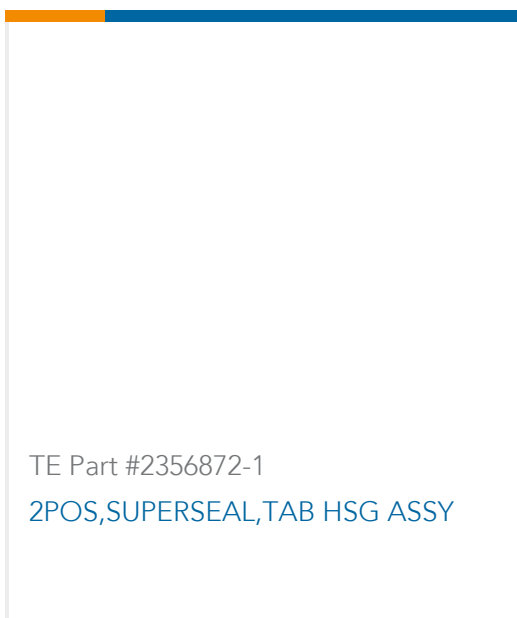
TE Part #1897421-2  
SEALING PLUG CONTACT DUMMY (MQS)



TE Part #2-2109432-2  
PCU SLD 105P PLUG ASSY(B-LH) I



TE Part #2341467-1  
REC CONN CVR, 39POS, AMP MCP 2.8, LOW BRKT



TE Part #2356872-1  
2POS, SUPERSEAL, TAB HSG ASSY

## Documents

### Product Drawings

94P PLUG ASSY, NORMAL CODING

English

### CAD Files

3D PDF

3D

Customer View Model

ENG\_CVM\_CVM\_2209545-9\_B.2d\_dxf.zip



English

**Customer View Model**

[ENG\\_CVM\\_CVM\\_2209545-9\\_B.3d\\_igs.zip](#)

English

**Customer View Model**

[ENG\\_CVM\\_CVM\\_2209545-9\\_B.3d\\_stp.zip](#)

English

By downloading the CAD file I accept and agree to the [Terms and Conditions](#) of use.

---

**Datasheets & Catalog Pages**

[Micro Quadlok Interconnection System \(MQS\)](#)

English

---

**Product Specifications**

[Application Specification](#)

English