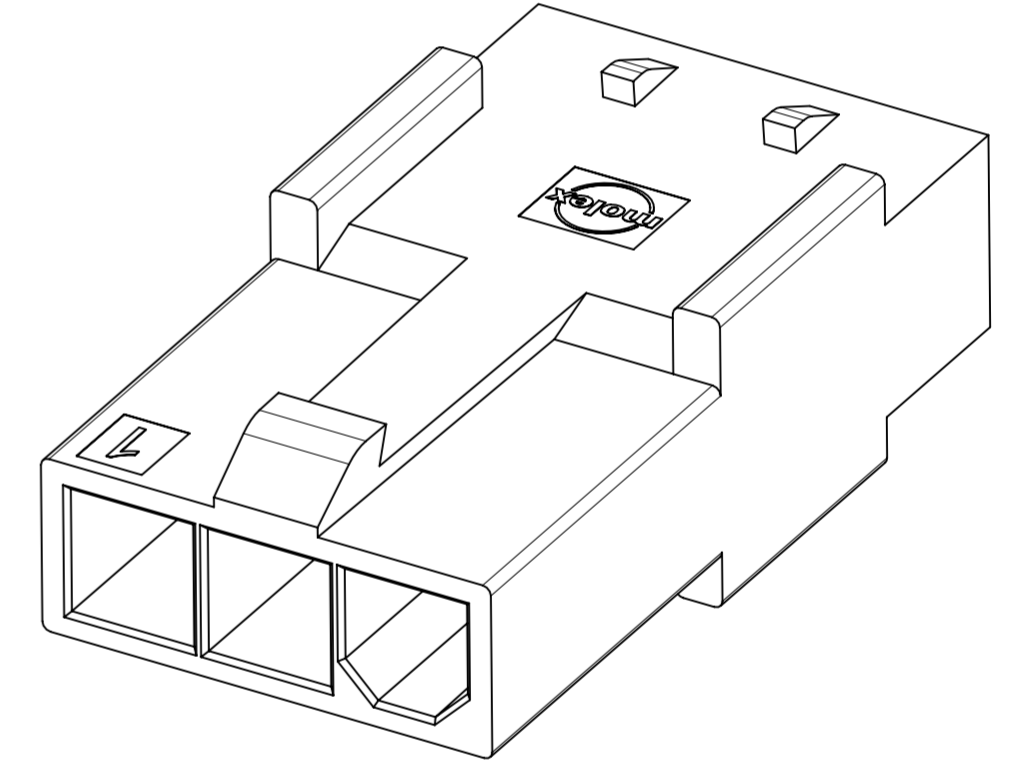


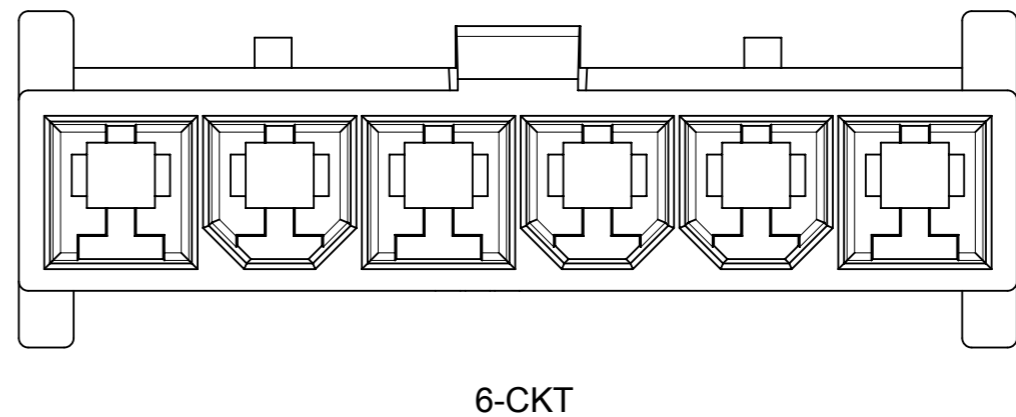
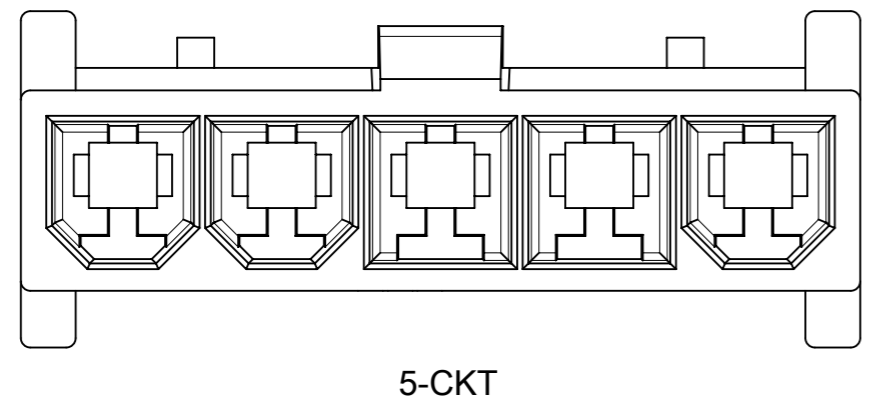
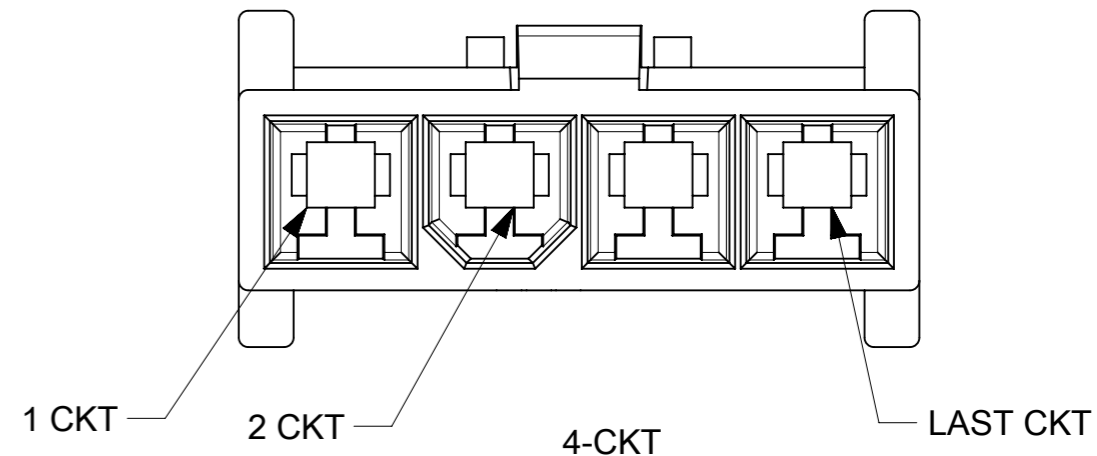
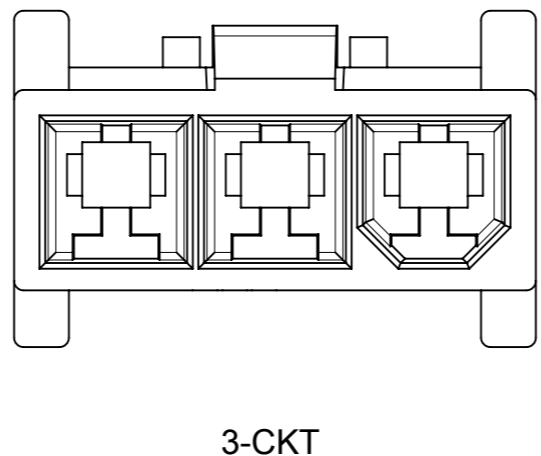
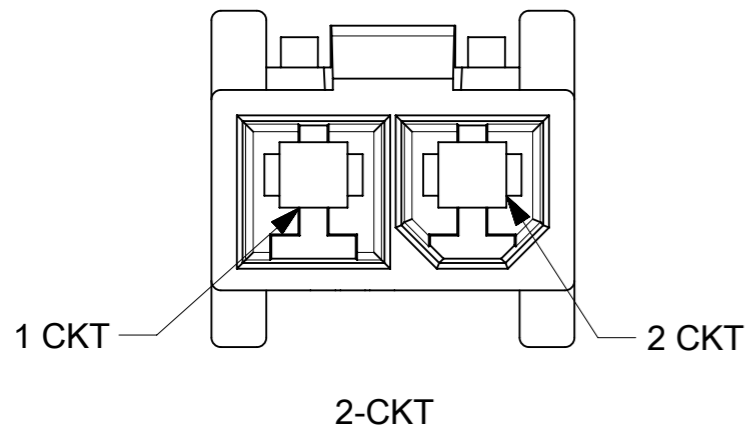
PLUG P/N	CKT	DIM "A"	DIM "B"
2004711002	2	9.60	4.95
2004711003	3	13.80	4.95
2004711004	4	18.00	4.95
2004711005	5	22.20	12.95
2004711006	6	26.40	12.95



- NOTES:
- MATERIAL:
NYLON, UL 94V-0 AND GLOW WIRE CAPABLE PER IEC60335-1; COLOR: BLACK
 - FINISH: NONE
 - PRODUCT SPECIFICATION: 2131370000-PS/2029880002-PS
APPLICATION SPECIFICATION: 2131370000-AS
 - PACKAGING SPECIFICATION: 200471-0001-PK
REFER TO AS-45499-001 FOR MOISTURIZING NYLON CONNECTOR PARTS.
 - THIS PART TO BE USED WITH FEMALE TERMINAL SERIES 172765, 203070 AND TPA SERIES 172709-2***.
 - THIS PART MATES WITH RECEPTACLE SERIES 200453-1***
 - THIS PART CONFORMS TO CLASS 'B' REQUIREMENTS OF COSMETIC SPECIFICATION PS-45499-002.
 - SEE DRAWING 1727090002-SD FOR OTHER TPA INFORMATION.
 - SEE DRAWING 2004531000(SD) FOR OTHER RECEPTACLE INFORMATION.
 - SEE DRAWINGS SD-172718-0000 AND 2029880001-PSD FOR OTHER CRIMP TERMINAL INFORMATION.

FUNCTIONAL SYMBOLS FA = 0 FC = 0 FP = 0	THIS DRAWING CONTAINS INFORMATION THAT IS PROPRIETARY TO MOLEX ELECTRONIC TECHNOLOGIES, LLC AND SHOULD NOT BE USED WITHOUT WRITTEN PERMISSION		CURRENT REV DESC:	
	DIMENSION UNITS	SCALE		
	mm	5:1		
	GENERAL TOLERANCES (UNLESS SPECIFIED)			
DIVISIONAL SYMBOLS	ANGULAR TOL	±	°	
	4 PLACES	±		EC NO: 653179
	3 PLACES	±		DRWN: ALU002 2021/01/15
	2 PLACES	± 0.25		CHK'D: YXZHENG 2021/01/18
1 PLACE	± 0.36		APPR: YXZHENG 2021/01/18	
0 PLACES	±		INITIAL REVISION:	
DRAFT WHERE APPLICABLE MUST REMAIN WITHIN DIMENSIONS		THIRD ANGLE PROJECTION	DRAWING	SERIES
			A2-SIZE	200471
DOCUMENT NUMBER	DOC TYPE	DOC PART	REVISION	
2004710001-SD	PSD	000	B2	
MATERIAL NUMBER	CUSTOMER	SHEET NUMBER		
SEE TABLE	GENERAL MARKET	1 OF 2		

DOCUMENT STATUS	P1	RELEASE DATE	2021/01/18	01:45:37
-----------------	----	--------------	------------	----------



FUNCTIONAL SYMBOLS	THIS DRAWING CONTAINS INFORMATION THAT IS PROPRIETARY TO MOLEX ELECTRONIC TECHNOLOGIES, LLC AND SHOULD NOT BE USED WITHOUT WRITTEN PERMISSION		<div style="text-align: center;">molex</div> SD-DRAWING OF MINI-FIT SIGMA SR PLUG			
	$\nabla_A = 0$ $\nabla_B = 0$ $\nabla_C = 0$	DIMENSION UNITS mm				
DIVISIONAL SYMBOLS	GENERAL TOLERANCES (UNLESS SPECIFIED)		EC NO: 653179			
	ANGULAR TOL ± °		DRWN: ALU002 2021/01/15			
	4 PLACES ±	3 PLACES ±		CHK'D: YXZHENG 2021/01/18		
	2 PLACES ± 0.25	1 PLACE ± 0.36		APPR: YXZHENG 2021/01/18		
	1 PLACE ±	0 PLACES ±		INITIAL REVISION:		
DRAFT WHERE APPLICABLE MUST REMAIN WITHIN DIMENSIONS		THIRD ANGLE PROJECTION	DRAWING	SERIES	MATERIAL NUMBER	CUSTOMER
			A3-SIZE	200471	2019/09/24	2019/10/11
			2004710001-SD	PSD	000	B2
			SEE TABLE	GENERAL MARKET	SHEET NUMBER 2 OF 2	