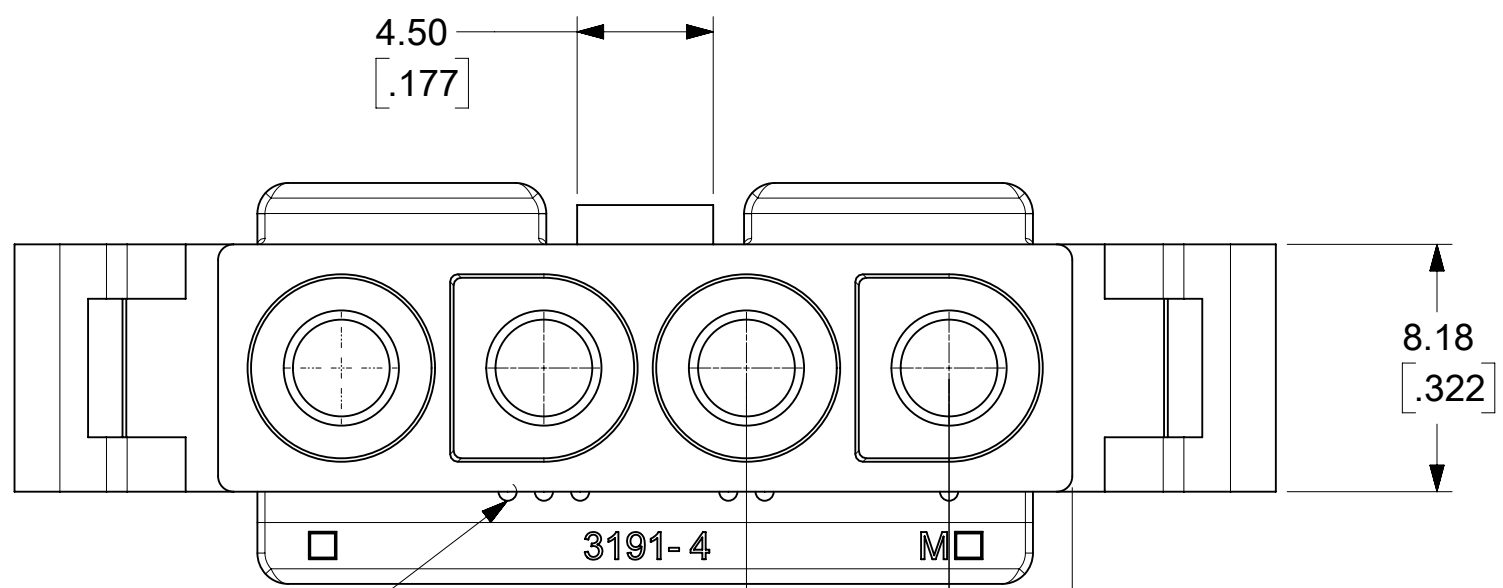


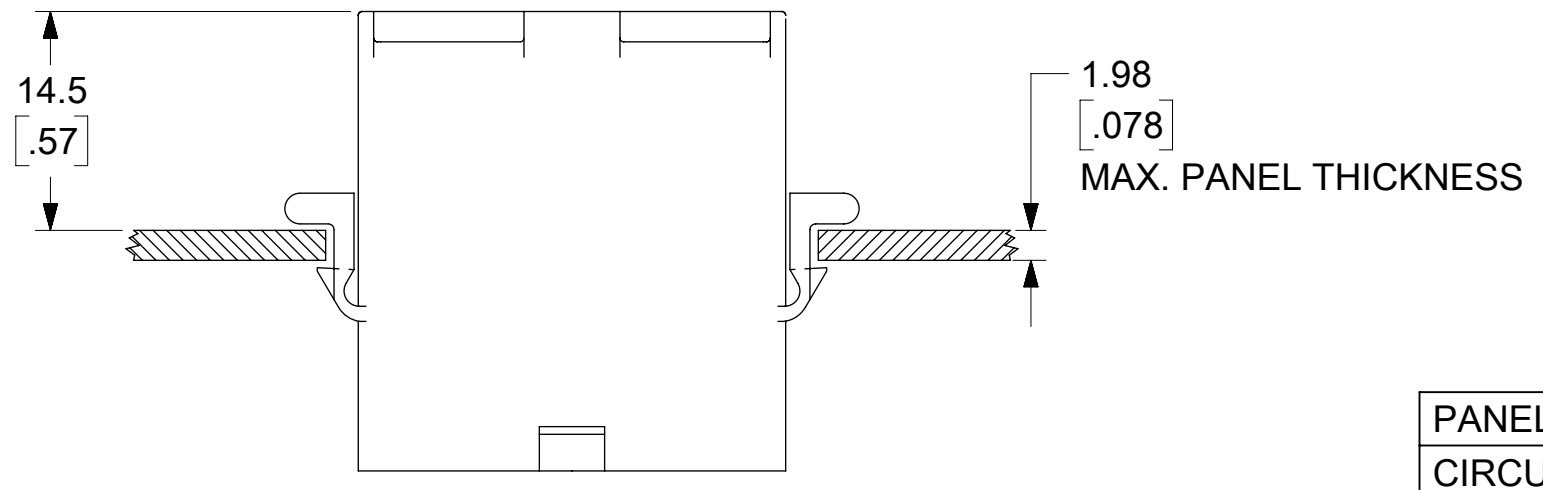
(SHOWN WITH OPTIONAL MOUNTING EARS)

**PLUG**

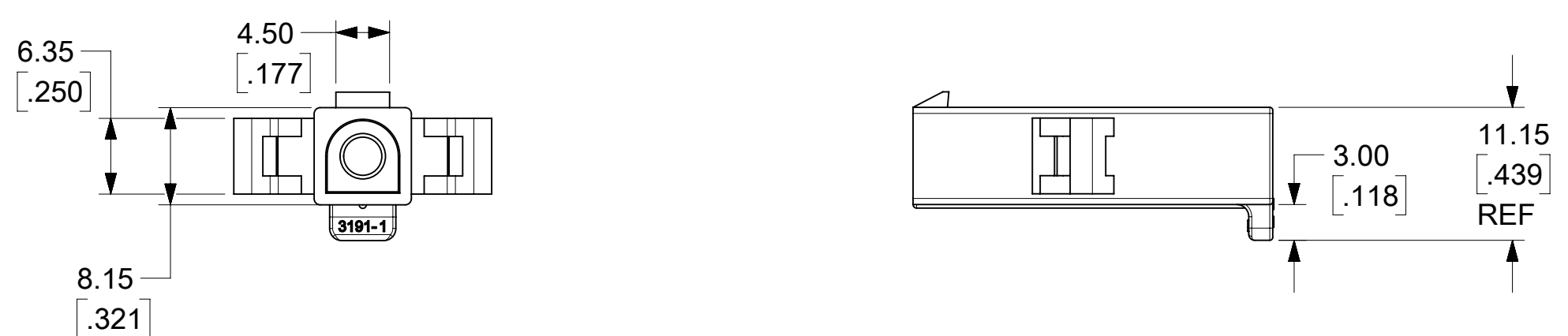
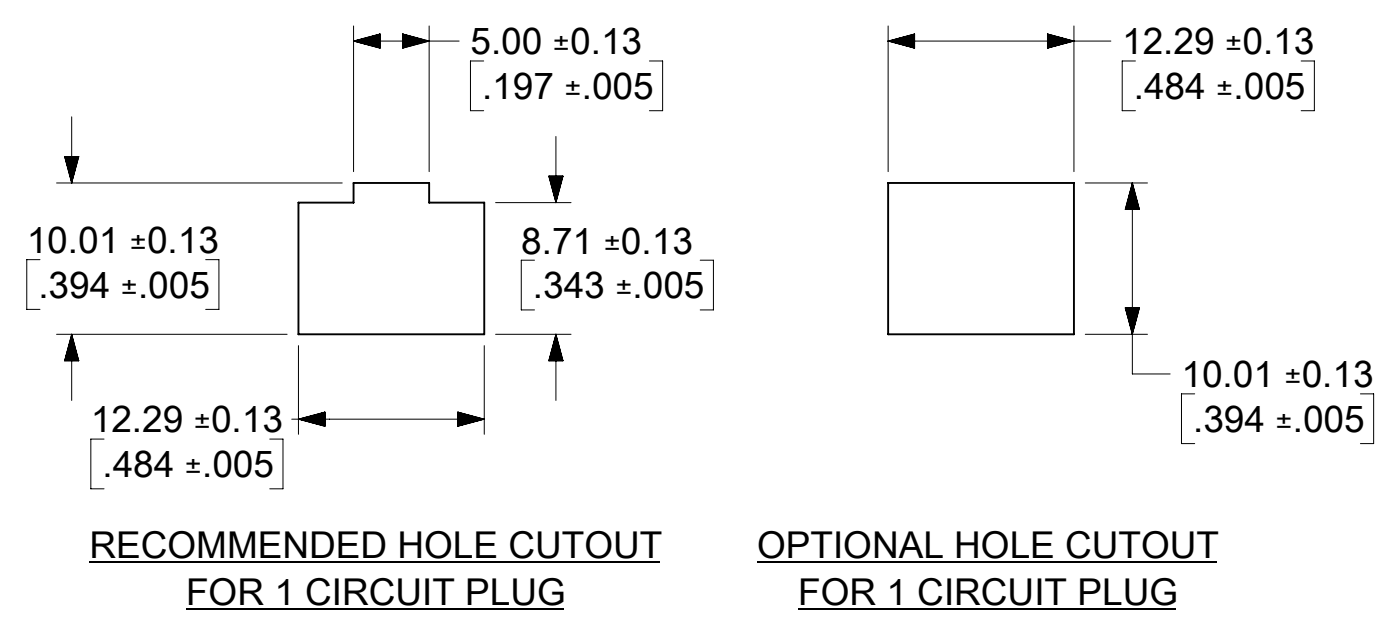
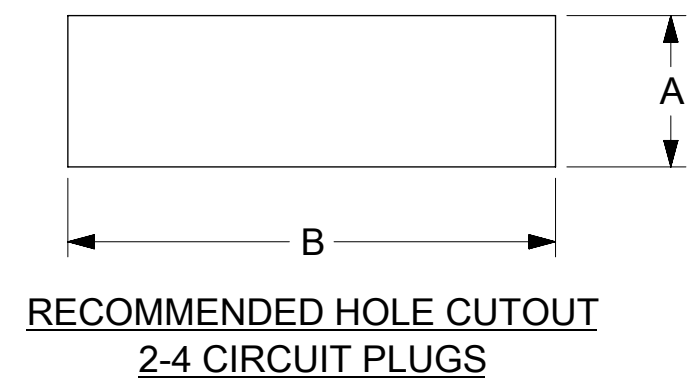


CIRCUIT I.D. RIBS

FUNCTIONAL SYMBOLS FA = 0 FC = 0 FP = 0	THIS DRAWING CONTAINS INFORMATION THAT IS PROPRIETARY TO MOLEX ELECTRONIC TECHNOLOGIES, LLC AND SHOULD NOT BE USED WITHOUT WRITTEN PERMISSION									
	DIMENSION UNITS		SCALE		CURRENT REV DESC: RELEASED					
	MM/INCH		4:1		EC NO: 643927 DRWN: MKIPPER 2020/06/02 CHK'D: MKIPPER 2022/10/12 APPR: FSMITH 2022/10/14					
	GENERAL TOLERANCES (UNLESS SPECIFIED)									
DIVISIONAL SYMBOLS		MM	INCH	INITIAL REVISION: DRWN: MKIPPER 2020/06/02 APPR: FSMITH 2022/10/14						
4 PLACES	±	±								
3 PLACES	±	±	0.01							
2 PLACES	±	0.25	± 0.015							
1 PLACE	±	0.38	±	DOCUMENT NUMBER: 31910000-SD DOC TYPE: PSD DOC PART: 000 REVISION: A						
0 PLACES	±	±								
ANGULAR TOL		±	°	THIRD ANGLE PROJECTION		DRAWING		SERIES		
DRAFT WHERE APPLICABLE MUST REMAIN WITHIN DIMENSIONS				C-SIZE		3191		MATERIAL NUMBER		
								CUSTOMER		
								GENERAL MARKET		
								SHEET NUMBER		
								1 OF 4		

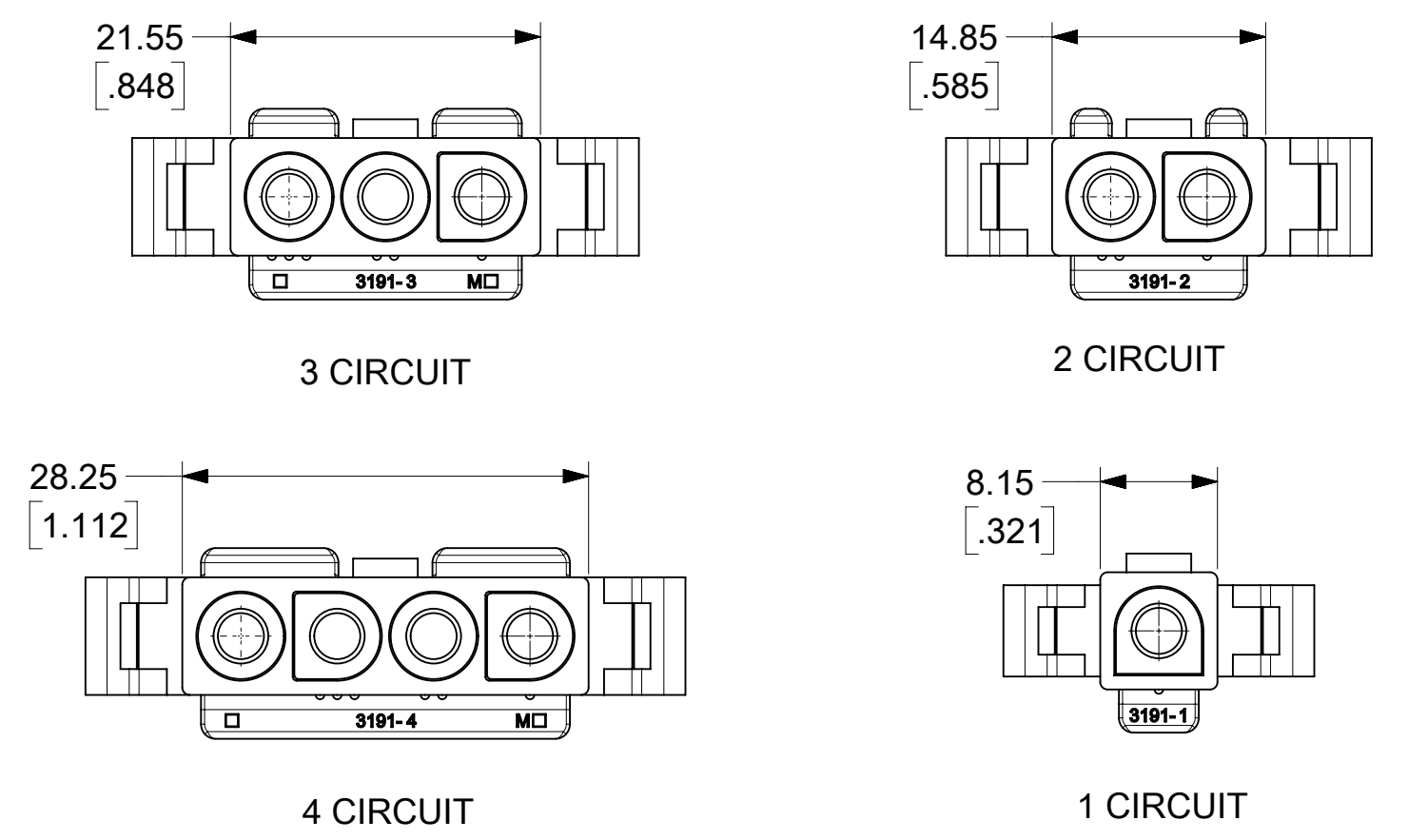


PANEL HOLE CUTOUT DIMENSIONS		
CIRCUITS	DIM. "A"	DIM. "B"
2	9.27 ±0.13 .365 ±.005	20.32 ±0.13 .800 ±.005
3	10.01 ±0.13 .394 ±.005	25.91 ±0.13 1.020 ±.005
4	10.01 ±0.13 .394 ±.005	32.26 ±0.13 1.270 ±.005



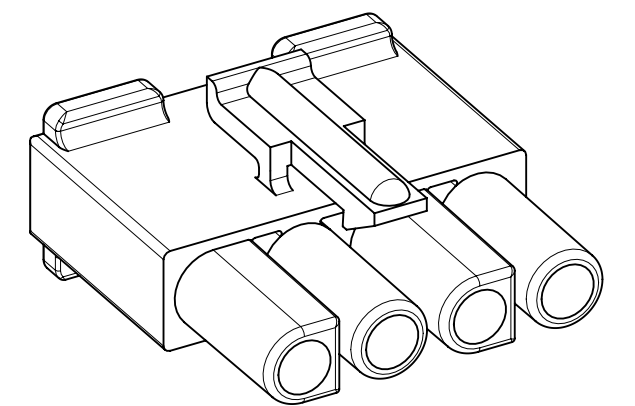
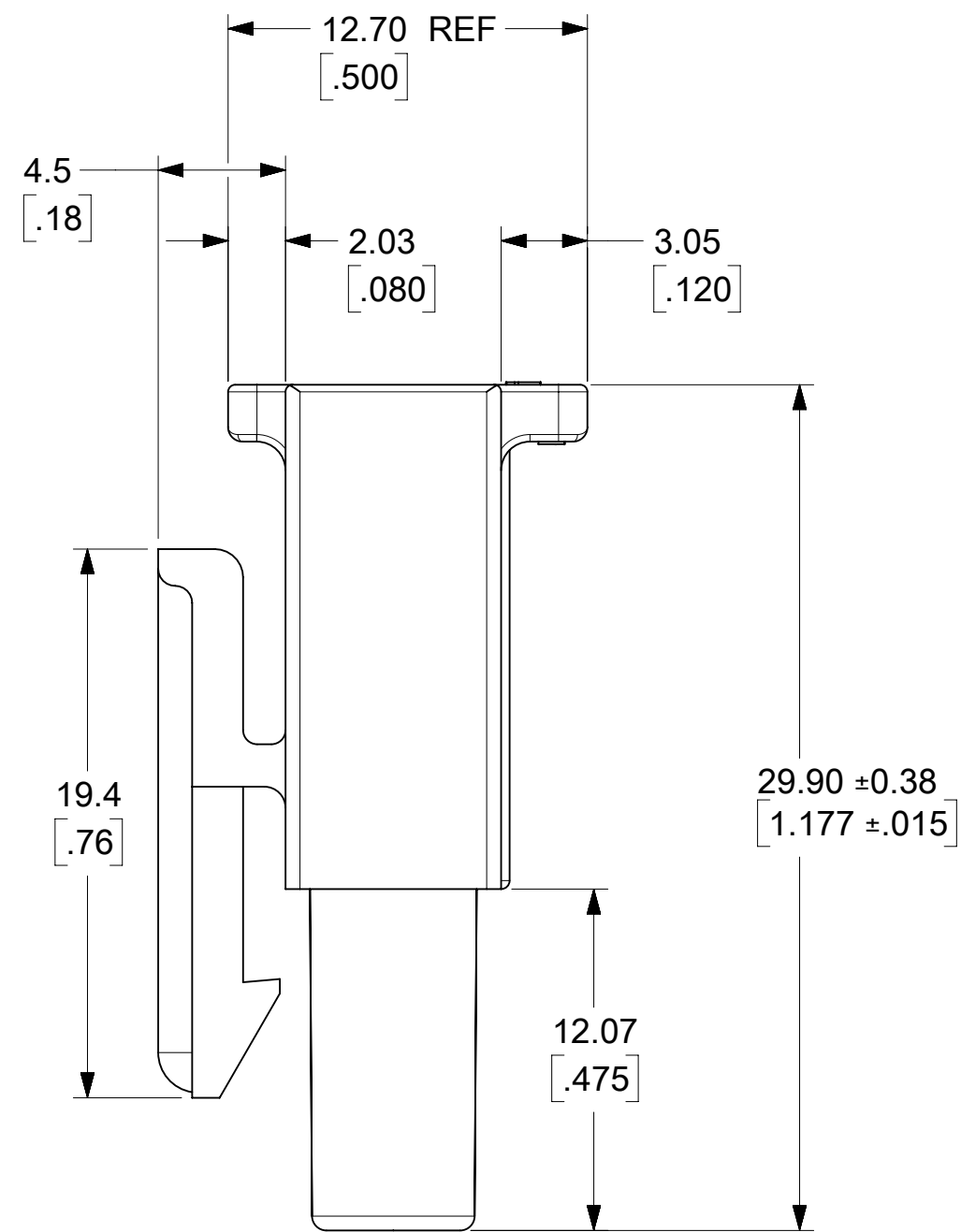
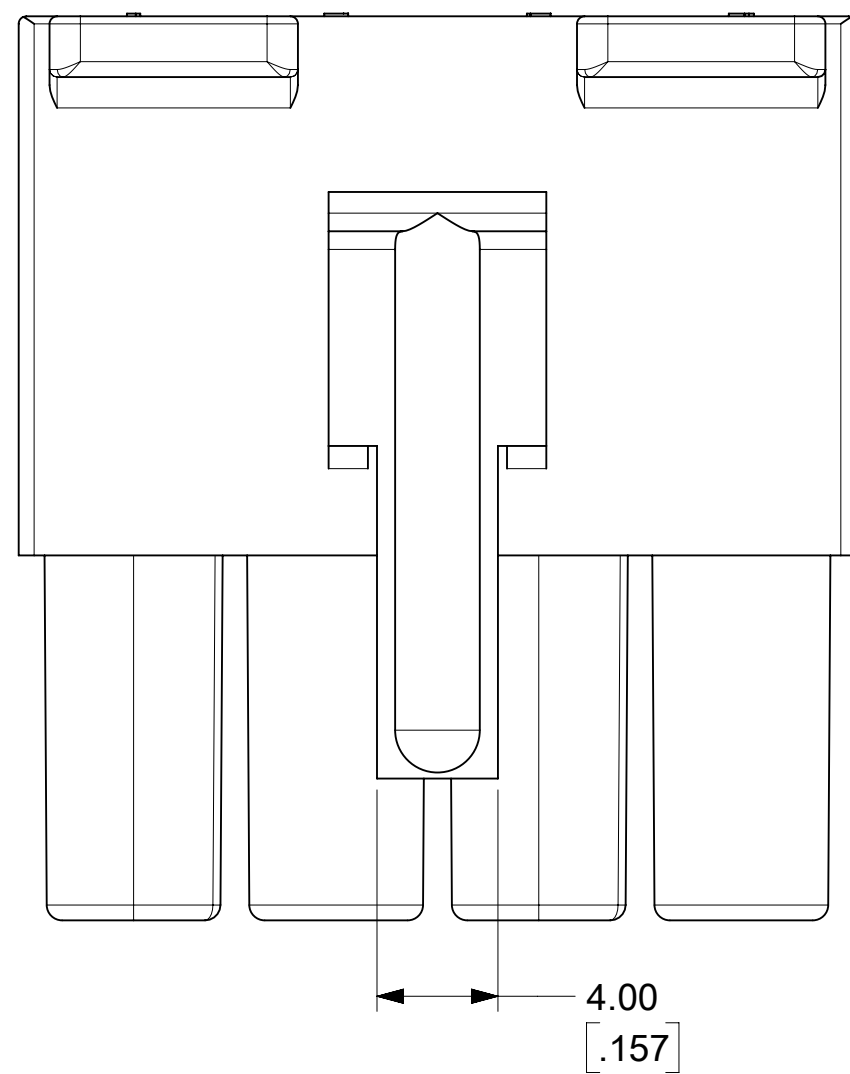
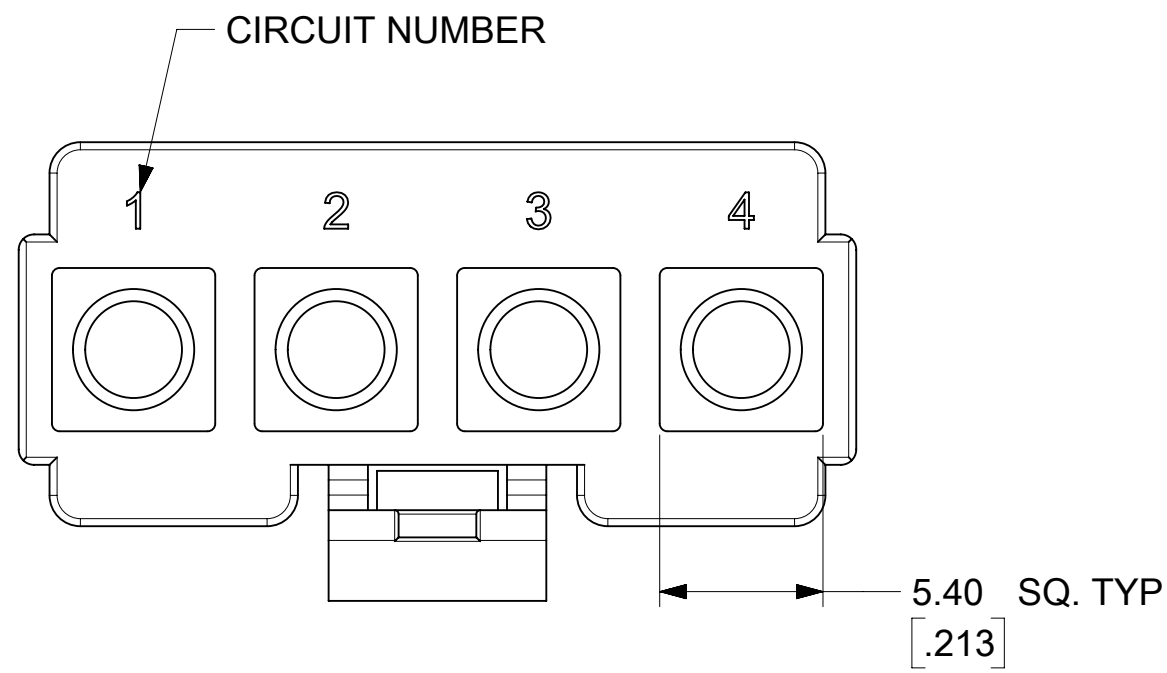
THESE DIMENSIONS APPLY TO 1 CIRCUIT PLUG ONLY  
SEE SHEETS 1 FOR OTHER DIMENSIONS.

CIRCUITS	PART NO.	ENG. NO.	MATERIAL	COLOR	MOUNTING EARS	PACKAGING
1	19-09-2018	3191-1P	UL94V-2	NATURAL	YES	31910002-PK
	19-09-2019	3191-1P1	UL94V-2	NATURAL	NO	31910002-PK
	19-09-2017	3191-1P-201	UL94V-0	IVORY	YES	31910002-PK
	19-09-2016	3191-1P1-201	UL94V-0	IVORY	NO	31910002-PK
2	19-09-2028	3191-2P	UL94V-2	NATURAL	YES	31910002-PK
	19-09-2029	3191-2P1	UL94V-2	NATURAL	NO	31910002-PK
	19-09-2027	3191-2P-201	UL94V-0	IVORY	YES	31910002-PK
	19-09-2026	3191-2P1-201	UL94V-0	IVORY	NO	31910002-PK
3	19-09-2038	3191-3P	UL94V-2	NATURAL	YES	31910001-PK
	19-09-2039	3191-3P1	UL94V-2	NATURAL	NO	31910001-PK
	19-09-2037	3191-3P-201	UL94V-0	IVORY	YES	31910002-PK
	19-09-2036	3191-3P1-201	UL94V-0	IVORY	NO	31910002-PK
	19-09-3033	3191-3PBU	UL94V-2	BLUE	YES	31910002-PK
4	19-09-2048	3191-4P	UL94V-2	NATURAL	YES	31910002-PK
	19-09-2049	3191-4P1	UL94V-2	NATURAL	NO	31910002-PK
	19-09-2047	3191-4P-201	UL94V-0	IVORY	YES	31910002-PK
	19-09-2046	3191-4P1-201	UL94V-0	IVORY	NO	31910002-PK

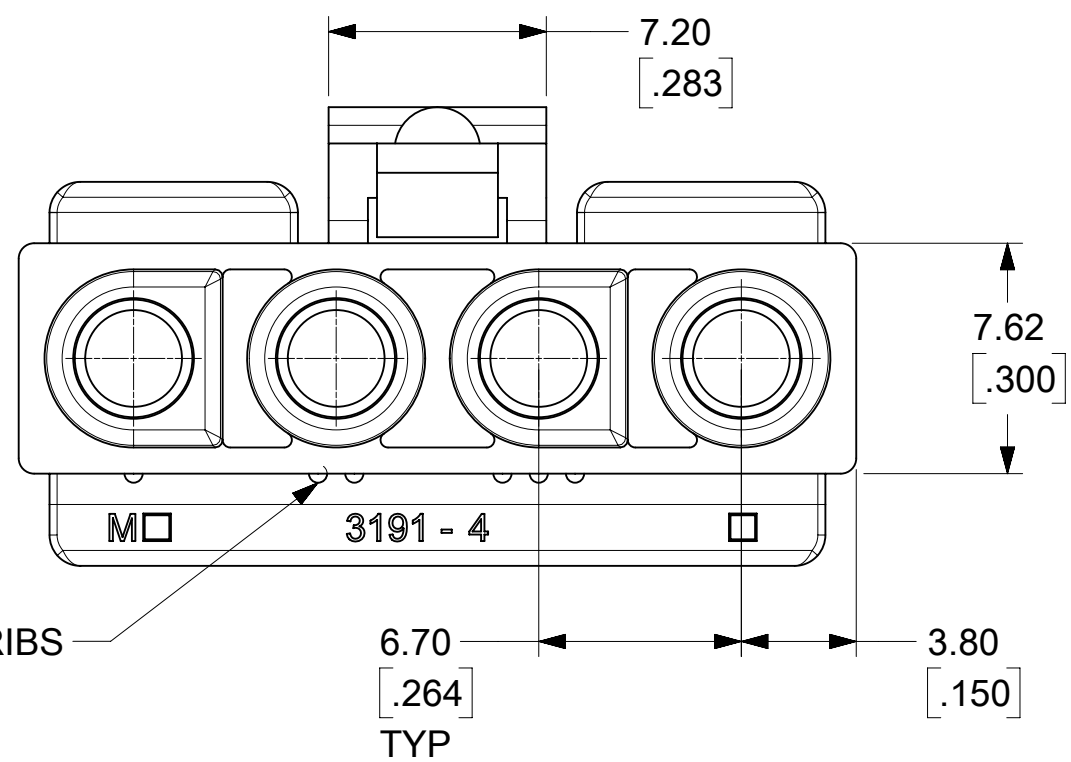


### PLUG POLARIZATION

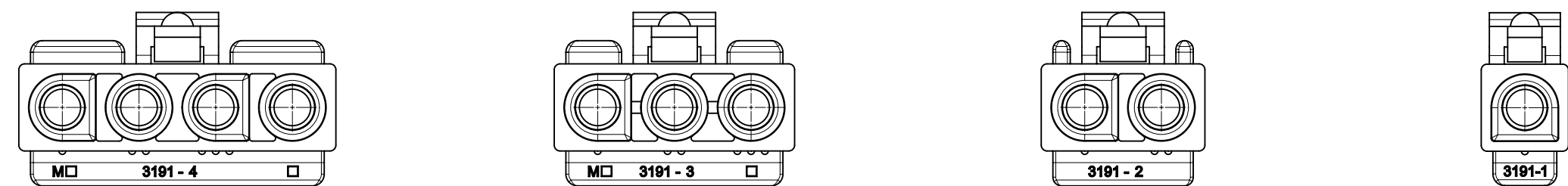
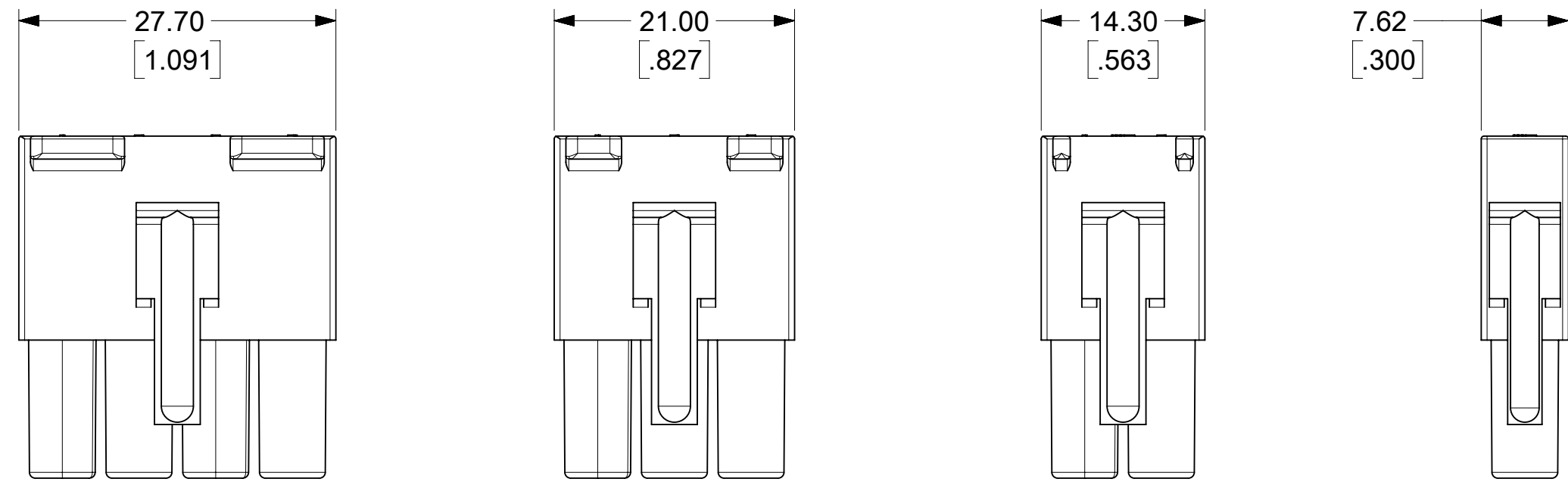
FUNCTIONAL SYMBOLS	THIS DRAWING CONTAINS INFORMATION THAT IS PROPRIETARY TO MOLEX ELECTRONIC TECHNOLOGIES, LLC AND SHOULD NOT BE USED WITHOUT WRITTEN PERMISSION						
	DIMENSION UNITS	SCALE	CURRENT REV DESC: RELEASED				
$\frac{F}{A} = 0$	MM/INCH	2:1	<p><b>molex</b></p> <p>.093/(2.36) PLUG AND RECEPTACLE HOUSINGS SINGLE ROW 1-4 CIRCUITS</p> <p>PRODUCT CUSTOMER DRAWING</p> <p>DOCUMENT NUMBER: <b>31910000-SD</b>   DOC TYPE: PSD   DOC PART: 000   REVISION: A</p>				
$\frac{F}{C} = 0$	GENERAL TOLERANCES (UNLESS SPECIFIED)						
$\frac{F}{P} = 0$							
DIVISIONAL SYMBOLS	MM	INCH					
	4 PLACES ±	±					
	3 PLACES ±	± 0.01					
	2 PLACES ±	0.25 ± 0.015					
	1 PLACE ±	0.38 ±					
	0 PLACES ±	±					
	ANGULAR TOL ± °						
	DRAFT WHERE APPLICABLE MUST REMAIN WITHIN DIMENSIONS	THIRD ANGLE PROJECTION	DRAWING	SERIES	MATERIAL NUMBER	CUSTOMER	SHEET NUMBER
			C-SIZE	3191	SEE CHARTS	GENERAL MARKET	2 OF 4



**RECEPTACLE**



FUNCTIONAL SYMBOLS	THIS DRAWING CONTAINS INFORMATION THAT IS PROPRIETARY TO MOLEX ELECTRONIC TECHNOLOGIES, LLC AND SHOULD NOT BE USED WITHOUT WRITTEN PERMISSION							
	DIMENSION UNITS	SCALE		CURRENT REV DESC: RELEASED				
$\frac{F}{A} = 0$	MM/INCH	4:1		EC NO: 643927 DRWN: MKIPPER CHK'D: MKIPPER APPR: FSMITH				
$\frac{F}{C} = 0$	GENERAL TOLERANCES (UNLESS SPECIFIED)							
DIVISIONAL SYMBOLS		MM	INCH	2020/06/02				
	4 PLACES	±	±	2022/10/12				
	3 PLACES	±	± 0.01	2022/10/14				
	2 PLACES	± 0.25	± 0.015					
	1 PLACE	± 0.38	±	INITIAL REVISION:				
	0 PLACES	±	±	DRWN: MKIPPER 2020/06/02				
	ANGULAR TOL	± °		2022/10/14				
DRAFT WHERE APPLICABLE MUST REMAIN WITHIN DIMENSIONS		THIRD ANGLE PROJECTION	DRAWING	SERIES	DOCUMENT NUMBER	DOC TYPE	DOC PART	REVISION
			C-SIZE	3191	31910000-SD	PSD	000	A
					SEE CHARTS	GENERAL MARKET		SHEET NUMBER 3 OF 4

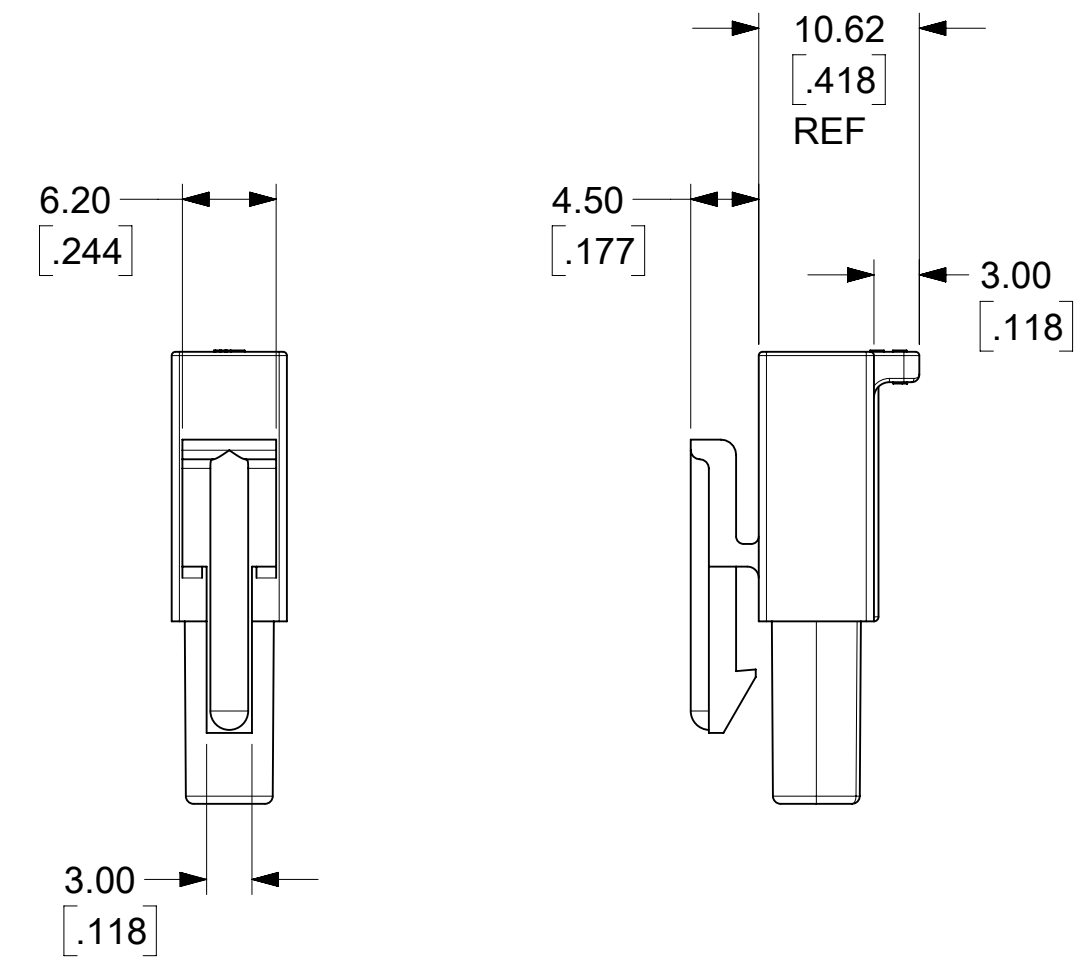


**RECEPTACLE POLARIZATION**

- NOTES:
1. MATERIAL: NYLON TYPE 6/6. SEE CHART FOR COLOR AND UL94 RATING.
  2. FINISH: NONE
  3. PRODUCT SPECIFICATION PS-02-09
  4. PACKAGING SPECIFICATION: SEE CHART
  5. PARTS CONFORM TO CLASS B REQUIREMENTS OF COSMETIC SPECIFICATION PS-45499-002.

THIS DRAWING REPLACES  
 SD-3191-1X AND SD-3191-1\*  
 SD-3191-2X AND SD-3191-2\*  
 SD-3191-3X AND SD-3191-3\*  
 SD-3191-4X AND SD-3191-4\*

CIRCUITS	PART NO.	ENG. NO.	MATERIAL	COLOR	PACKAGING	MOUNTING EARS
1	19-09-1019	3191-1R1	UL94V-2	NATURAL	31910002-PK	MOUNTING EARS NOT AVAILABLE ON RECEPTACLES
	19-09-1016	3191-1R1-201	UL94V-0	IVORY	31910002-PK	
	19-09-6011	3191-1R1BU	UL94V-2	BLUE	TBD	
2	19-09-1029	3191-2R1	UL94V-2	NATURAL	31910002-PK	
	19-09-1026	3191-2R1-201	UL94V-0	IVORY	31910002-PK	
3	19-09-1039	3191-3R1	UL94V-2	NATURAL	31910001-PK	
	19-09-1036	3191-3R1-201	UL94V-0	IVORY	31910002-PK	
	19-09-5039	3191-3R1-2	UL94V-0	WHITE	31910001-PK	
4	19-09-1049	3191-4R1	UL94V-2	NATURAL	31910001-PK	
	19-09-1046	3191-4R1-201	UL94V-0	IVORY	31910002-PK	



THESE DIMENSIONS APPLY TO 1 CIRCUIT RECEPTACLES ONLY

FUNCTIONAL SYMBOLS FA = 0 FC = 0 FP = 0 DIVISIONAL SYMBOLS	THIS DRAWING CONTAINS INFORMATION THAT IS PROPRIETARY TO MOLEX ELECTRONIC TECHNOLOGIES, LLC AND SHOULD NOT BE USED WITHOUT WRITTEN PERMISSION		CURRENT REV DESC: RELEASED	
	DIMENSION UNITS	SCALE	EC NO: 643927	
	MM/INCH	2:1	DRWN: MKIPPER	2020/06/02
	GENERAL TOLERANCES (UNLESS SPECIFIED)		CHK'D: MKIPPER	2022/10/12
4 PLACES ±		APPR: FSMITH	2022/10/14	
3 PLACES ± 0.01		INITIAL REVISION:		
2 PLACES ± 0.25 ± 0.015		DRWN: MKIPPER	2020/06/02	
1 PLACE ± 0.38 ±		APPR: FSMITH	2022/10/14	
0 PLACES ±		THIRD ANGLE PROJECTION		
ANGULAR TOL ± °		DRAWING	SERIES	
DRAFT WHERE APPLICABLE MUST REMAIN WITHIN DIMENSIONS		C-SIZE	3191	

DOCUMENT NUMBER		DOC TYPE	DOC PART	REVISION
31910000-SD		PSD	000	A
MATERIAL NUMBER	CUSTOMER	SHEET NUMBER		
SEE CHARTS	GENERAL MARKET	4 OF 4		