

5-2138650-1 ✓ ACTIVE



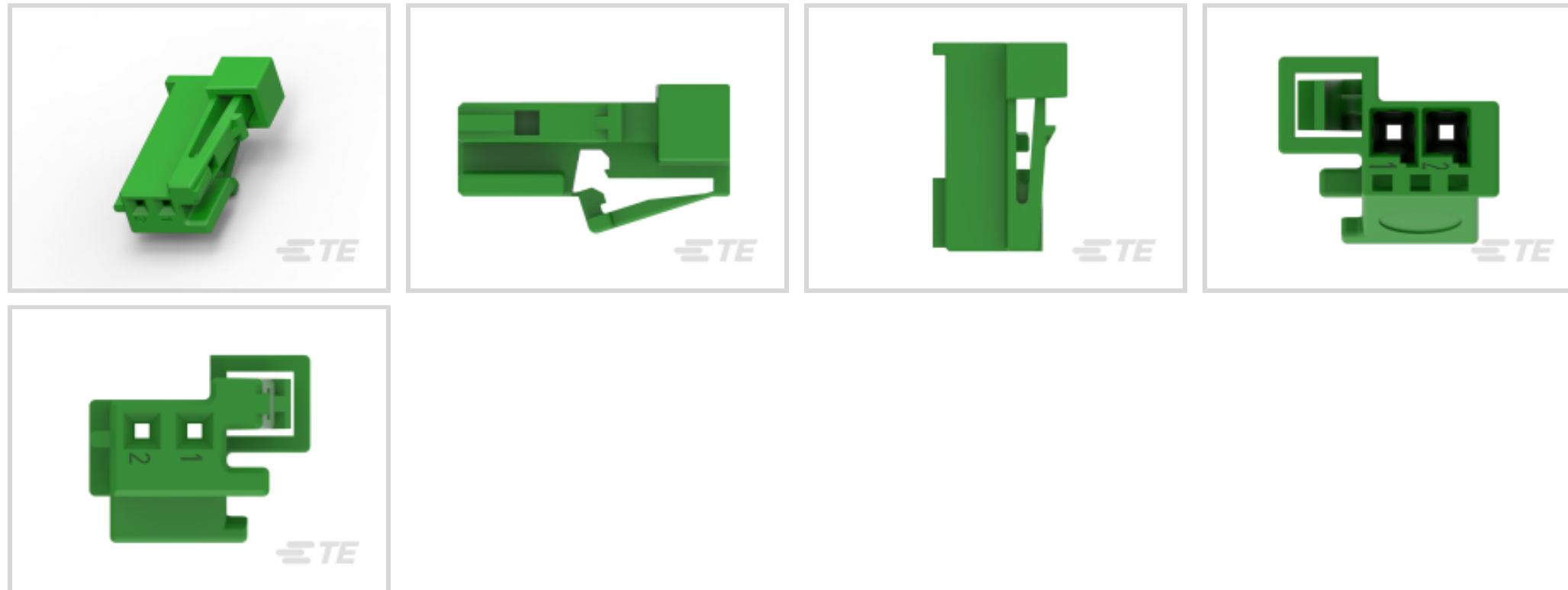
MQS

TE Internal #: 5-2138650-1

Housing for Female Terminals, Wire-to-Board / Wire-to-Device, 2 Position, .1 in [2.54 mm] Centerline, Green, Wire & Cable, Signal, MQS

[View on TE.com >](#)

Connectors > Automotive Connectors > Automotive Housings



Connector System: **Wire-to-Board, Wire-to-Device**

Number of Positions: **2**

Connector & Housing Type: **Housing for Female Terminals**

Centerline (Pitch): **2.54 mm [.1 in]**

Sealable: **No**

Features

Product Type Features

Mixed & Hybrid Connector	No
Connector Shape	Rectangular
Connector System	Wire-to-Board, Wire-to-Device
Connector & Housing Type	Housing for Female Terminals
Sealable	No
Connector & Contact Terminates To	Wire & Cable
Primary Locking Feature	On the Terminal

Configuration Features

Number of Positions	2
Number of Rows	1

Electrical Characteristics

Nominal Voltage Architecture	12 V
------------------------------	------

Body Features

Cable Exit Angle	180°
------------------	------



Primary Product Color	Green
-----------------------	-------

Connector & Keying Code	E
-------------------------	---

Contact Features

Contact Size	.63mm
--------------	-------

Contact Type	Receptacle
--------------	------------

Mating Tab Width	.63 mm [.025 in]
------------------	------------------

Mechanical Attachment

Terminal Position Assurance	Yes
-----------------------------	-----

Strain Relief	Without
---------------	---------

Mating Alignment Type	Keyed
-----------------------	-------

Mating Alignment	With
------------------	------

Connector Mounting Type	Cable Mount (Free-Hanging)
-------------------------	----------------------------

Housing Features

Housing Material	PBT GF
------------------	--------

Centerline (Pitch)	2.54 mm [.1 in]
--------------------	-----------------

Dimensions

Connector Height	10.68 mm [.42 in]
------------------	-------------------

Product Width	16.5 mm [.65 in]
---------------	------------------

Product Length	6.8 mm [.268 in]
----------------	------------------

Usage Conditions

Operating Temperature (Max)	70 °C, 75 °C, 80 °C, 85 °C, 90 °C, 100 °C, 105 °C [158 °F][167 °F][176 °F][185 °F][194 °F][212 °F][221 °F]
-----------------------------	--

Operating Temperature Range	-40 – 105 °C [-40 – 221 °F]
-----------------------------	-----------------------------

Operation/Application

Circuit Application	Signal
---------------------	--------

Industry Standards

UL Flammability Rating	UL 94HB
------------------------	---------

Packaging Features

Packaging Quantity	6000
--------------------	------

Packaging Method	Bulk
------------------	------

Other

Serviceable	No
-------------	----

Connector Position Assurance Capable	No
--------------------------------------	----

Product Compliance

[For compliance documentation, visit the product page on TE.com>](#)

EU RoHS Directive 2011/65/EU	Compliant
------------------------------	-----------

EU ELV Directive 2000/53/EC	Compliant
-----------------------------	-----------

China RoHS 2 Directive MIIT Order No 32, 2016	No Restricted Materials Above Threshold
---	---

EU REACH Regulation (EC) No. 1907/2006	Current ECHA Candidate List: JUNE 2023 (235) Candidate List Declared Against: JUNE 2023 (235) Does not contain REACH SVHC
--	---

Halogen Content	Low Halogen - Br, Cl, F, I < 900 ppm per homogenous material. Also BFR/CFR/PVC Free
-----------------	---

Solder Process Capability	Not applicable for solder process capability
---------------------------	--

Product Compliance Disclaimer

This information is provided based on reasonable inquiry of our suppliers and represents our current actual knowledge based on the information they provided. This information is subject to change. The part numbers that TE has identified as EU RoHS compliant have a maximum concentration of 0.1% by weight in homogenous materials for lead, hexavalent chromium, mercury, PBB, PBDE, DBP, BBP, DEHP, DIBP, and 0.01% for cadmium, or qualify for an exemption to these limits as defined in the Annexes of Directive 2011/65/EU (RoHS2). Finished electrical and electronic equipment products will be CE marked as required by Directive 2011/65/EU. Components may not be CE marked. Additionally, the part numbers that TE has identified as EU ELV compliant have a maximum concentration of 0.1% by weight in homogenous materials for lead, hexavalent chromium, and mercury, and 0.01% for cadmium, or qualify for an exemption to these limits as defined in the Annexes of Directive 2000/53/EC (ELV). Regarding the REACH Regulation, the information TE provides on SVHC in articles for this part number is based on the latest European Chemicals Agency (ECHA) 'Guidance on requirements for substances in articles' posted at this URL: <https://echa.europa.eu/guidance-documents/guidance-on-reach>

Compatible Parts



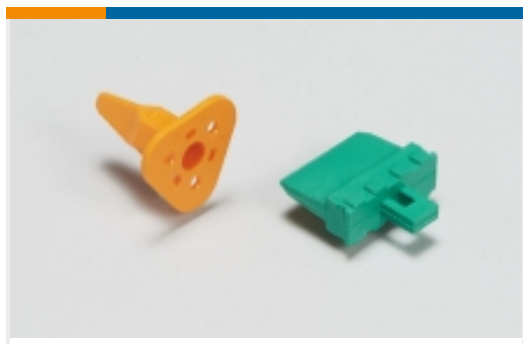
Also in the Series | **MQS**



Automotive Connector Caps & Covers (111)



Automotive Connector EMC Shielding (3)



Automotive Connector Locks & Position Assurance(27)



Automotive Housings(375)



Automotive Terminals(89)



Connector Seals & Cavity Plugs(26)



Insertion & Extraction Tools(42)



Other Automotive Connector Accessories(7)

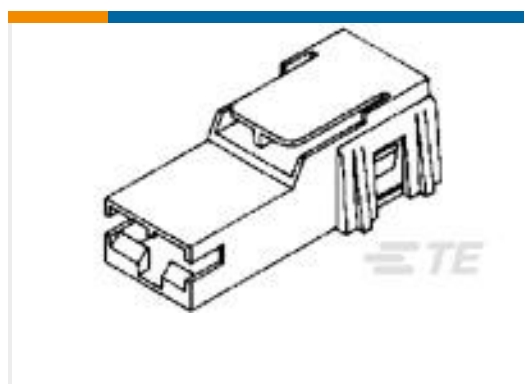


PCB Headers & Receptacles(143)

Customers Also Bought



TE Part #1-929170-4
MQS, CONNECTOR HOUSING



TE Part #520961-1
PL 250 HOUSING BLACK NYLON



TE Part #1534149-1
MQS RETAINER ,BLACK



TE Part #6-176146-6
.187 PLUG HSG ASSY 2P GRAY



TE Part #1355717-1
MQS0,63 Sn rec LL unseal. 0,08-0,22



TE Part #1456985-4
1X6 Fem unsealed LP assy Key C w /CPA



TE Part #174942-1
070 MLC W-W CAP HSG 15P



TE Part #184116-2
2 POS. PLUG ASSY, KEY H 1/2

Documents



Product Drawings

2POS MQS REC COD E

English

CAD Files

3D PDF

3D

Customer View Model

[ENG_CVM_CVM_5-2138650-1_A.2d_dxf.zip](#)

English

Customer View Model

[ENG_CVM_CVM_5-2138650-1_A.3d_igs.zip](#)

English

Customer View Model

[ENG_CVM_CVM_5-2138650-1_A.3d_stp.zip](#)

English

By downloading the CAD file I accept and agree to the [Terms and Conditions](#) of use.

Product Specifications

Product Specification

English