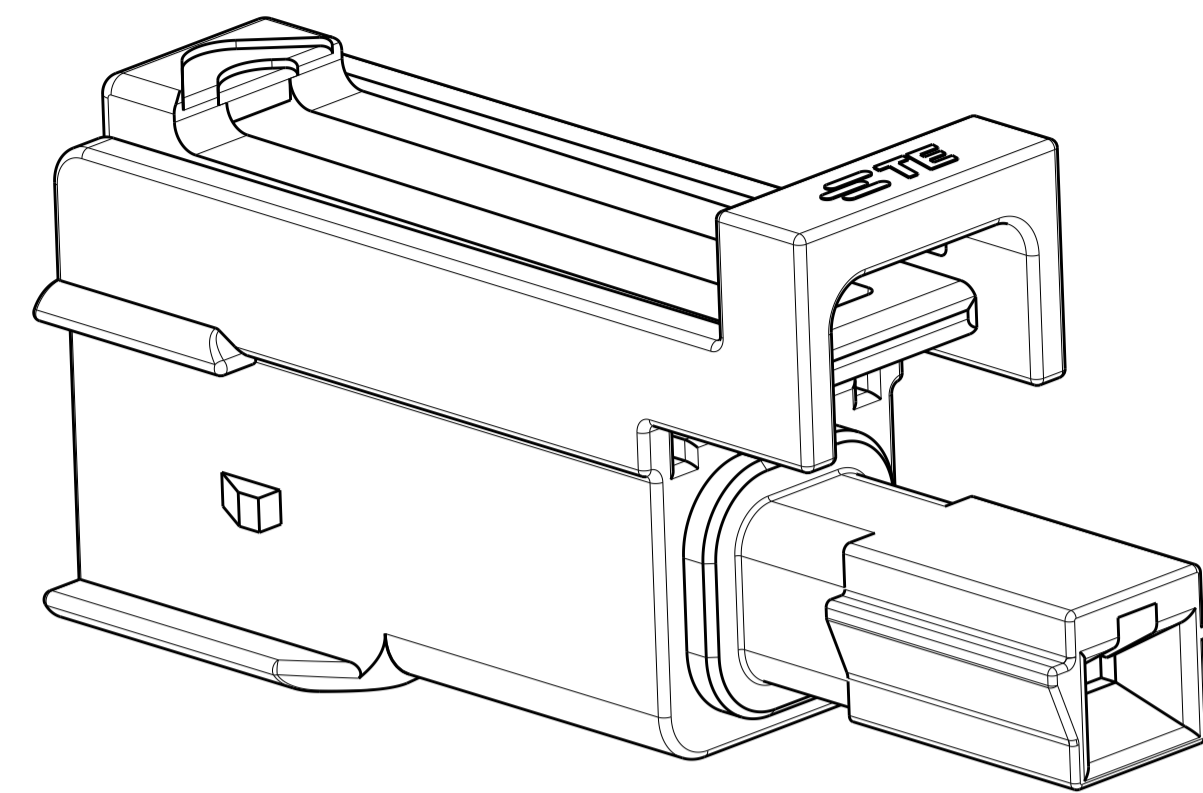
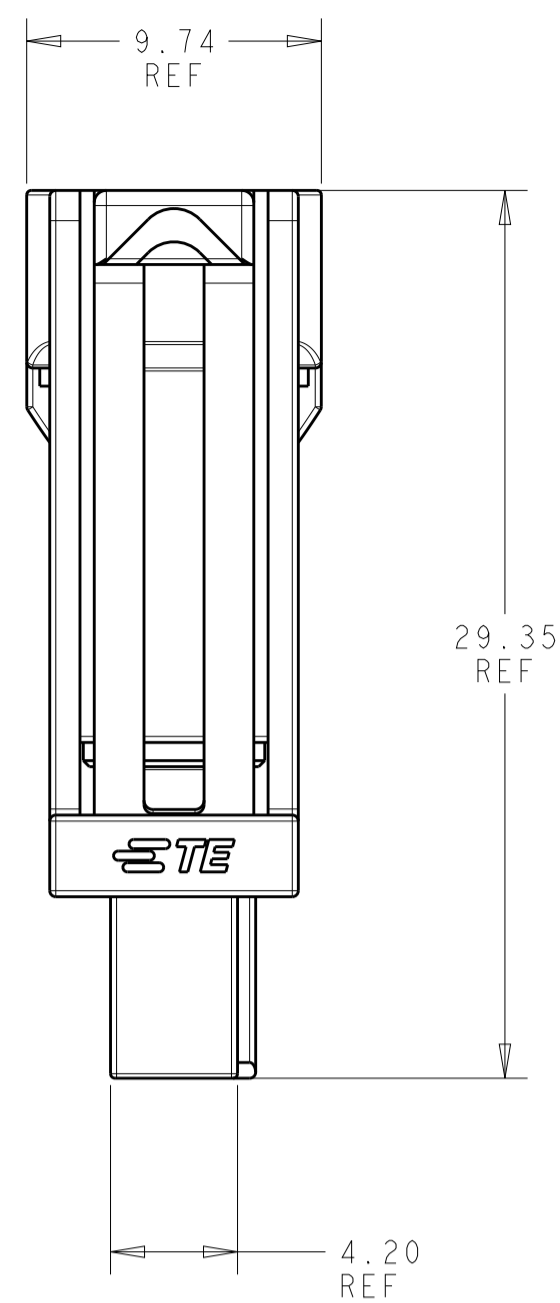


REVISIONS					
P.	LTN	DESCRIPTION	DATE	DWN	APVD
A		RELEASED PER ECO-19-015057	01OCT2018	BKW	GJ
B		REVISED PER ECO-20-003666	12MAR2020	BKW	DS
B1		REVISED PER ECR-20-100211	07AUG2020	JP	VS



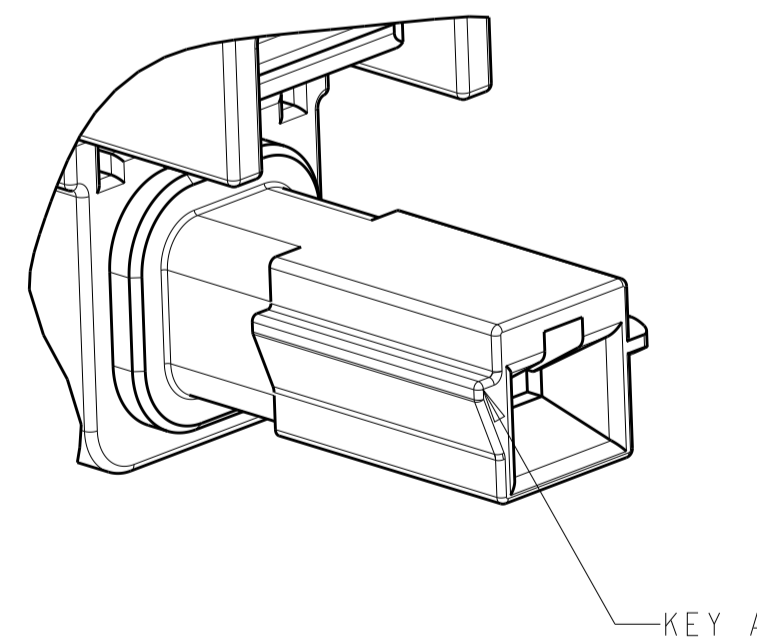
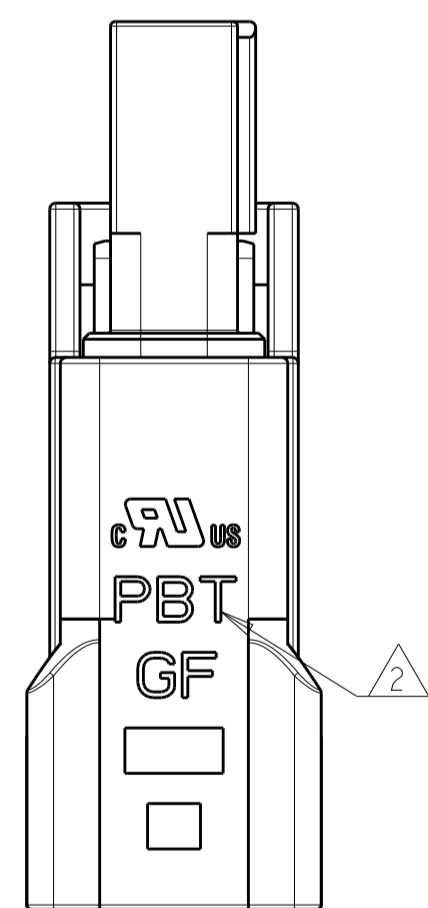
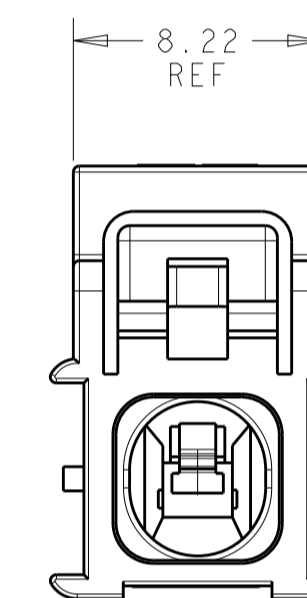
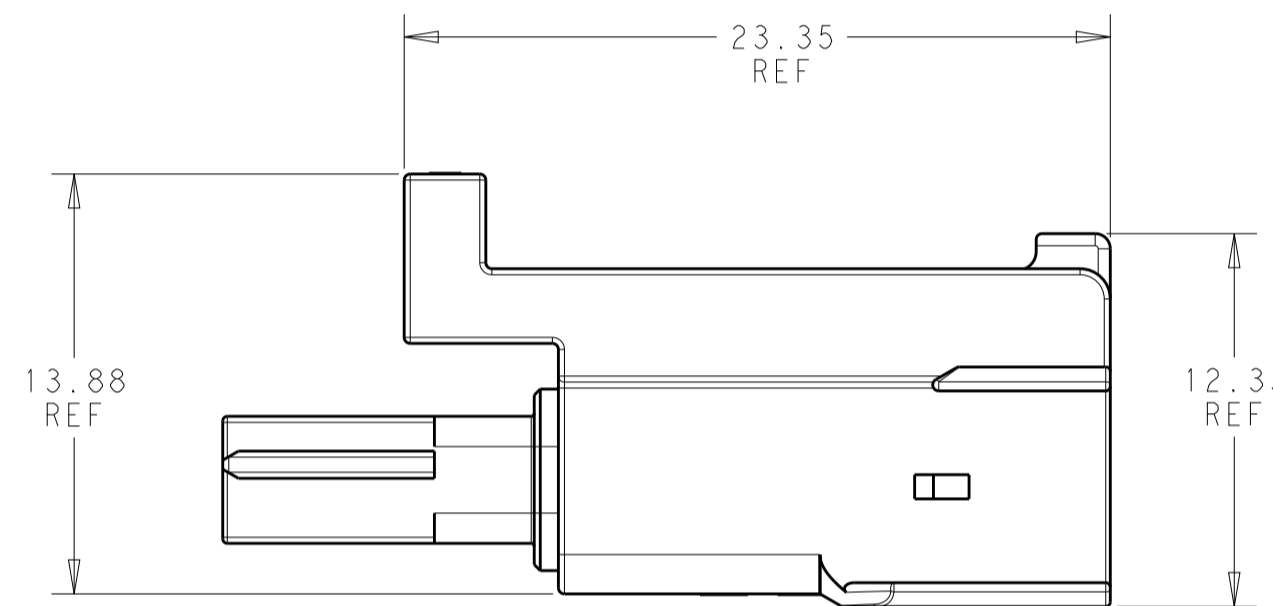
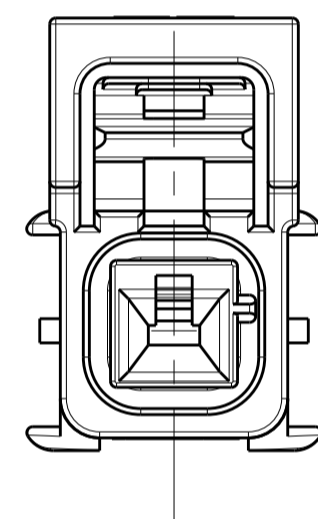
1. MATERIAL: PBT, GLASS FILLED  
 KEY A: NATURAL

2. MATERIAL MARK: PBT GF

3. APPLICABLE CONTACT P/N:  
 2329913-\*/2329916-\*/2329912-\*/2329914-\*/2329915-\*/2329917-\*

4. MATING CONNECTOR P/N  
 CAP HSG: \*2345729-1  
 TPA: 2329016-1  
 BACK COVER: 2334614-1  
 INTERFACE SEAL: 2325347-1  
 GANG SEAL: 2325349-1

5. FLAMMABILITY RATING: UL94 V-0



KEY A	1*1	1-2345728-1
KEYING	POSITIONS	PART NUMBER

THIS DRAWING IS A CONTROLLED DOCUMENT.		DWN B. WEAVER 17OCT2018	NAME PLUG HOUSING, POWER VERSA-LOCK	
DIMENSIONS:		CHK S. FERNANDES 17OCT2018	RESTRICTED TO	
mm	TOLERANCES UNLESS OTHERWISE SPECIFIED:	APVD C. YI 17OCT2018	SIZE	CAGE CODE
0 PLC	±	PRODUCT SPEC	A1	00779
0 PLC	±	108-143081	C=	2345728
3 PLC	±	APPLICATION SPEC	SCALE	6:1
4 PLC	±	114-143082	SHEET	1 OF 1
ANGLES	±	WEIGHT	REV	B1
MATERIAL	FINISH	CUSTOMER DRAWING		