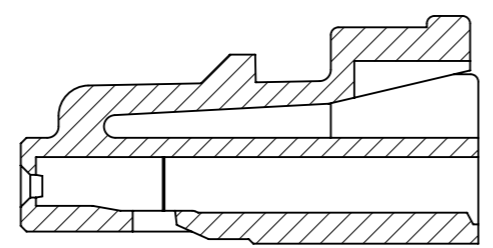
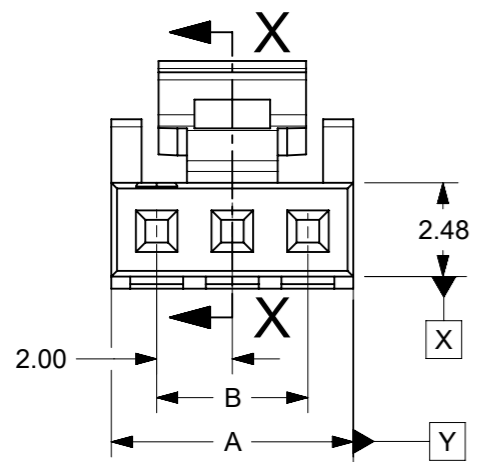
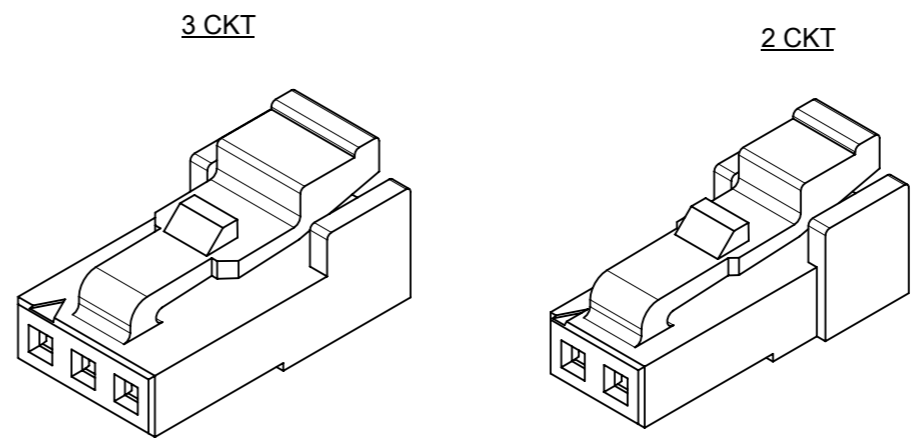
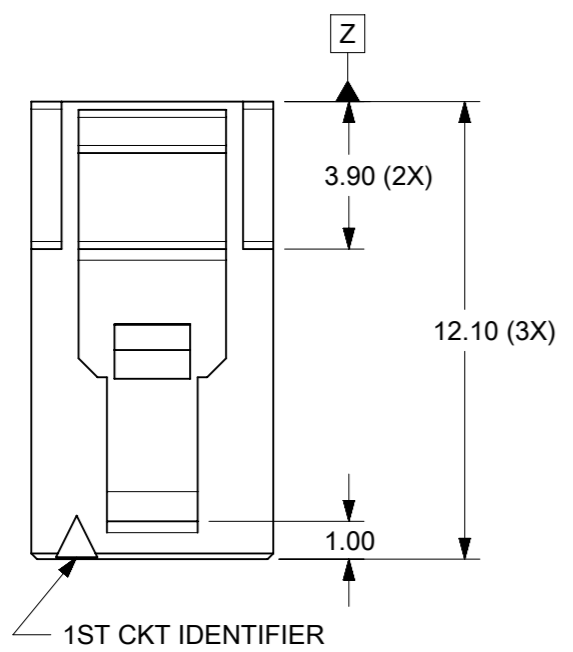
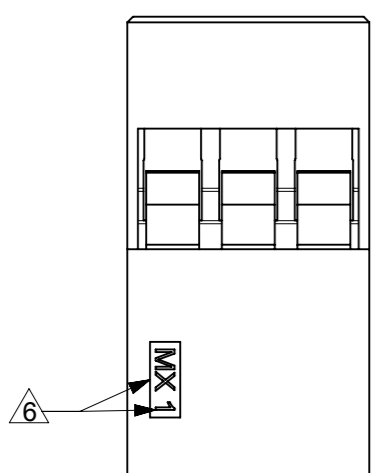
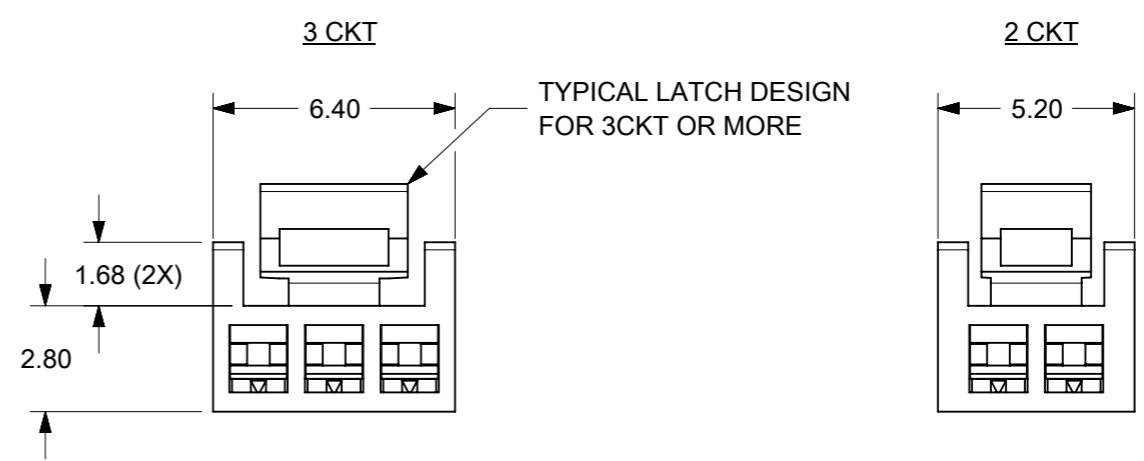


MATERIAL NO.	CKT SIZE	DIM A	DIM B
1511000002	2	5.20	2.00
1511000003	3	6.40	4.00
1511000004	4	8.40	6.00
1511000005	5	10.40	8.00
1511000006	6	12.40	10.00
1511000007	7	14.40	12.00
1511000008	8	16.40	14.00
1511000009	9	18.40	16.00
1511000010	10	20.40	18.00



SECTION X-X

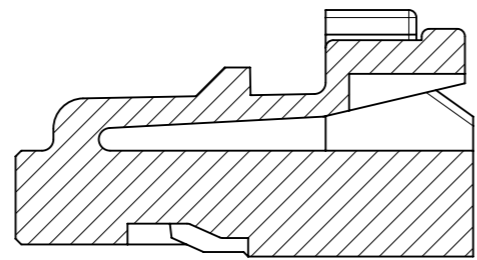
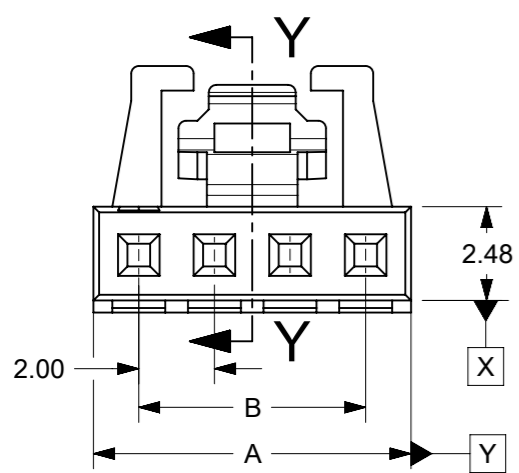
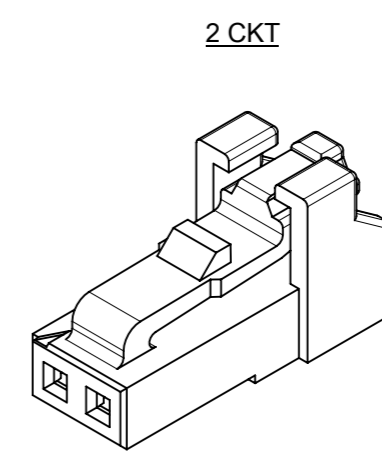
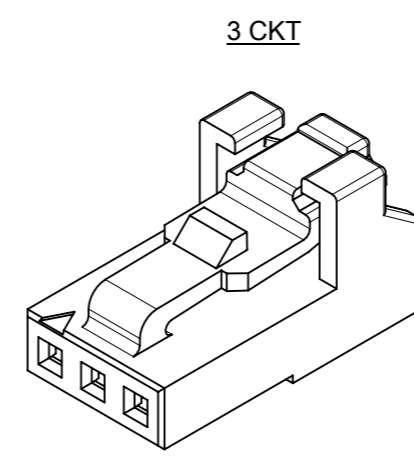
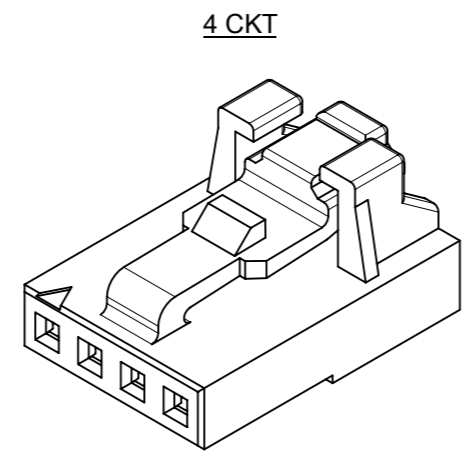
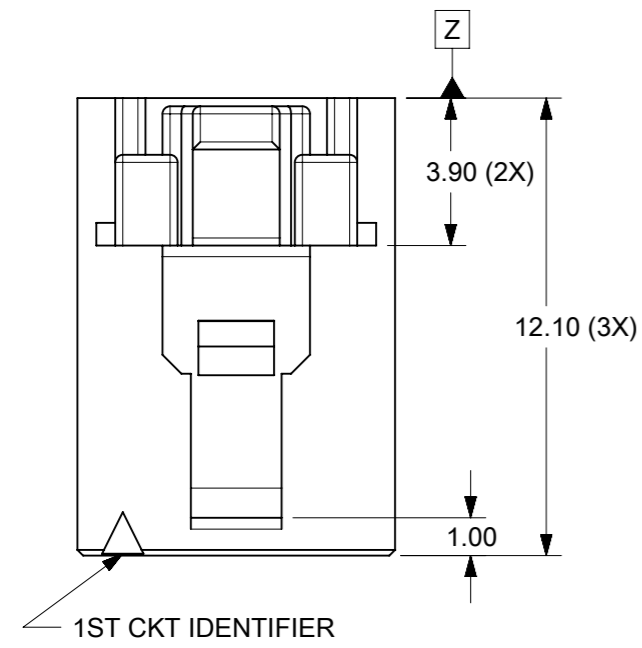


- NOTES:
1. MATERIAL: NON GLASS FILLED THERMOPLASTIC, BLACK, UL94V-0.
 2. PRODUCT SPECIFICATIONS: PS-151062-0001.
 3. PACKAGING: TRAY.
PACKAGING SPECIFICATION: PK-151100-0001.
 4. HOUSING TO BE ASSEMBLED WITH MOLEX FEMALE CRIMP TERMINAL: 50394-****.
 5. HOUSING TO BE MATED WITH MOLEX PCB HEADER AND CRIMP HEADER SERIES: 151062, 151063, 151064, 151065, 151098
 6. MANUFACTURER ID AND CAVITY NO. IS LOCATED APPROXIMATELY AS SHOWN.

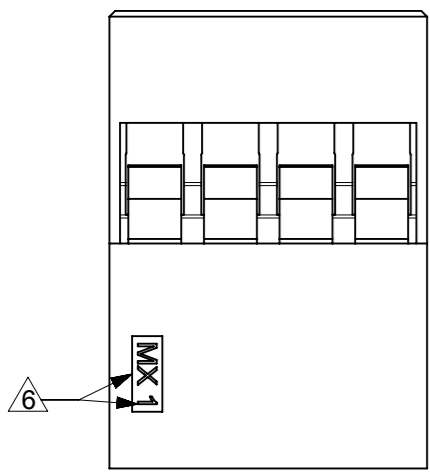
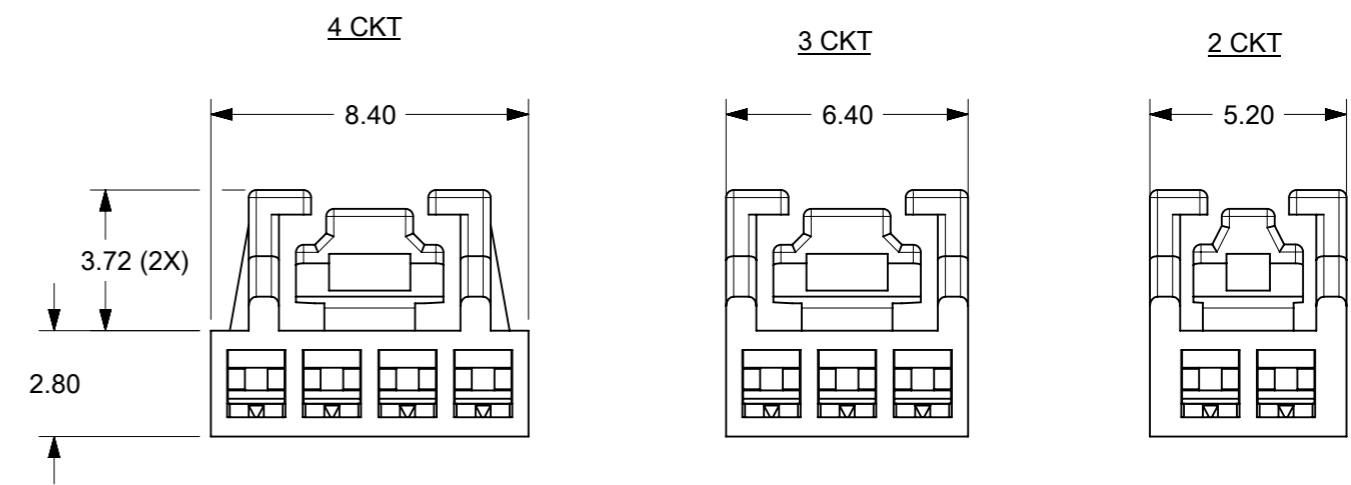
FUNCTIONAL SYMBOLS	THIS DRAWING CONTAINS INFORMATION THAT IS PROPRIETARY TO MOLEX ELECTRONIC TECHNOLOGIES, LLC AND SHOULD NOT BE USED WITHOUT WRITTEN PERMISSION			
	$\nabla_A = 0$ $\nabla_F = 0$ $\nabla_P = 0$	DIMENSION UNITS: mm SCALE: NTS		
DIVISIONAL SYMBOLS	GENERAL TOLERANCES (UNLESS SPECIFIED)		PRODUCT CUSTOMER DRAWING	
	ANGULAR TOL $\pm 3.0^\circ$ 4 PLACES \pm 3 PLACES \pm 2 PLACES ± 0.2 1 PLACE \pm 0 PLACES \pm	EC NO: 708408 DRWN: PAWANC 2022/04/29 CHK'D: DANUSA 2022/05/27 APPR: MRAMAKRISHNA 2022/05/30	INITIAL REVISION: DRWN: FCSSO 2015/01/07 APPR: KHLIM 2015/07/02	DOCUMENT NUMBER: SD-151100-0001 DOC TYPE: PSD DOC PART: 001 REVISION: B
DRAFT WHERE APPLICABLE MUST REMAIN WITHIN DIMENSIONS		THIRD ANGLE PROJECTION	DRAWING: A3-SIZE	SHEET NUMBER: 1 OF 2

WITH LATCH STOPPER

MATERIAL NO.	CKT SIZE	DIM A	DIM B
1511000102	2	5.20	2.00
1511000103	3	6.40	4.00
1511000104	4	8.40	6.00
1511000105	5	10.40	8.00
1511000106	6	12.40	10.00
1511000107	7	14.40	12.00
1511000108	8	16.40	14.00
1511000109	9	18.40	16.00
1511000110	10	20.40	18.00



SECTION Y-Y



FUNCTIONAL SYMBOLS FA = 0 FE = 0 FE = 0	THIS DRAWING CONTAINS INFORMATION THAT IS PROPRIETARY TO MOLEX ELECTRONIC TECHNOLOGIES, LLC AND SHOULD NOT BE USED WITHOUT WRITTEN PERMISSION	CURRENT REV DESC: REMASTERED IN ECTR AND ADDED SHEET 2		<p>SALES DRAWING CRIMP RECEPTACLE HOUSING SINGLE ROW MILLIGRID</p>					
	mm	NTS	SCALE				PRODUCT CUSTOMER DRAWING		
DIVISIONAL SYMBOLS	GENERAL TOLERANCES (UNLESS SPECIFIED)	4 PLACES	±	EC NO: 708408	2022/04/29	DOCUMENT NUMBER	DOC TYPE	DOC PART	REVISION
	ANGULAR TOL	±	3.0°	DRWN: PAWANC	2022/05/27				
	2 PLACES	±	0.2	CHK'D: DANUSA	2022/05/30	SD-151100-0001			
	1 PLACE	±		APPR: MRAMAKRISHNA		PSD	001	B	
0 PLACES	±		INITIAL REVISION:	DRWN: FCSSO	2015/01/07	SEE TABLE			
DRAFT WHERE APPLICABLE MUST REMAIN WITHIN DIMENSIONS			THIRD ANGLE PROJECTION	DRAWING	SERIES	MATERIAL NUMBER	CUSTOMER		SHEET NUMBER
				A3-SIZE	151100	GENERAL MARKET	2 OF 2		