

770058-1 ✓ ACTIVE

MATE-N-LOK | Universal MATE-N-LOK

TE Internal #: 770058-1

Rectangular Power Connectors, Housing, Receptacle, Wire-to-Wire,
15 Position, 6.35 mm [.25 in] Centerline, Wire & Cable, Universal
MATE-N-LOK

[View on TE.com >](#)



Connectors > Power Connectors > Rectangular Power > Rectangular Power Connectors



Rectangular Power Connector Type: **Housing**

Connector & Housing Type: **Receptacle**

Connector System: **Wire-to-Wire**

Number of Positions: **15**

Centerline (Pitch): **6.35 mm [.25 in]**

Features

Product Type Features

Rectangular Power Connector Type	Housing
Connector & Housing Type	Receptacle
Connector System	Wire-to-Wire
Sealable	No
Connector & Contact Terminates To	Wire & Cable

Configuration Features

Number of Positions	15
Number of Rows	3

Electrical Characteristics

Operating Voltage	600 VAC
-------------------	---------

Contact Features

Multiple Contact Types	Without
Contact Layout	Matrix
Contact Retention Within Housing	Without



Contact Type	Pin
--------------	-----

Termination Features

Termination Method to Wire & Cable	Crimp
------------------------------------	-------

Mechanical Attachment

Connector Mounting Type	Cable Mount (Free-Hanging)
-------------------------	----------------------------

Housing Features

Centerline (Pitch)	6.35 mm [.25 in]
--------------------	------------------

Housing Color	Natural
---------------	---------

Housing Material	Nylon GF
------------------	----------

Dimensions

	1.3 in
--	--------

Row-to-Row Spacing	6.35 mm [.25 in]
--------------------	------------------

Usage Conditions

Operating Temperature Range	-55 – 120 °C [-67 – 248 °F]
-----------------------------	-----------------------------

Operation/Application

Circuit Application	Power & Signal
---------------------	----------------

Industry Standards

CSA Rating	Certified, LR 7189
------------	--------------------

UL Rating	Recognized
-----------	------------

Compatible With Agency/Standards Products	CSA, UL, VDE
---	--------------

Compatible With Approved Standards Products	UL E28476
---	-----------

UL Flammability Rating	UL 94V-0
------------------------	----------

Glow Wire Rating	Standard Part - Not Glow Wire
------------------	-------------------------------

Packaging Features

Packaging Quantity	1
--------------------	---

Packaging Method	Package
------------------	---------

Product Compliance

[For compliance documentation, visit the product page on TE.com>](#)

EU RoHS Directive 2011/65/EU	Compliant
------------------------------	-----------

EU ELV Directive 2000/53/EC	Compliant
-----------------------------	-----------



China RoHS 2 Directive MIIT Order No 32, 2016	No Restricted Materials Above Threshold
EU REACH Regulation (EC) No. 1907/2006	Current ECHA Candidate List: JUNE 2023 (235) Candidate List Declared Against: JUNE 2023 (235) Does not contain REACH SVHC
Halogen Content	Low Halogen - Br, Cl, F, I < 900 ppm per homogenous material. Also BFR/CFR/PVC Free
Solder Process Capability	Not applicable for solder process capability

Product Compliance Disclaimer

This information is provided based on reasonable inquiry of our suppliers and represents our current actual knowledge based on the information they provided. This information is subject to change. The part numbers that TE has identified as EU RoHS compliant have a maximum concentration of 0.1% by weight in homogenous materials for lead, hexavalent chromium, mercury, PBB, PBDE, DBP, BBP, DEHP, DIBP, and 0.01% for cadmium, or qualify for an exemption to these limits as defined in the Annexes of Directive 2011/65/EU (RoHS2). Finished electrical and electronic equipment products will be CE marked as required by Directive 2011/65/EU. Components may not be CE marked. Additionally, the part numbers that TE has identified as EU ELV compliant have a maximum concentration of 0.1% by weight in homogenous materials for lead, hexavalent chromium, and mercury, and 0.01% for cadmium, or qualify for an exemption to these limits as defined in the Annexes of Directive 2000/53/EC (ELV). Regarding the REACH Regulation, the information TE provides on SVHC in articles for this part number is based on the latest European Chemicals Agency (ECHA) 'Guidance on requirements for substances in articles' posted at this URL: <https://echa.europa.eu/guidance-documents/guidance-on-reach>

Compatible Parts

 <p>TE Part # 770057-1 15P UMNL II CAP-FRONT 94VO</p>	 <p>TE Part # 770023-1 15P UMNLII IN-LNE PLUG HSG KIT</p>	 <p>TE Part # 1586683-9 15P UMNL HDR ASSY PC 94VO SL</p>	 <p>TE Part # 1863007-1 15P UMNL PLUG HSG</p>
 <p>TE Part # 1-1586683-0 15P UMNL HDR ASSY PC 94VO SL</p>	 <p>TE Part # 1586170-1 15P UMNL PIN HDR 94VO NDH</p>	 <p>TE Part # 2029369-1 06P UMNL-II REAR, TW-N-LK-CAP</p>	

Also in the Series | Universal MATE-N-LOK



Circular Power Connectors(2)



Connector Caps & Covers(34)



Connector Contacts(209)



Connector Hardware(12)



Connector Seals & Cavity Plugs(27)



Connector Strain Relief(7)



Insertion & Extraction Tools(4)



Rectangular Connector Housings(1)

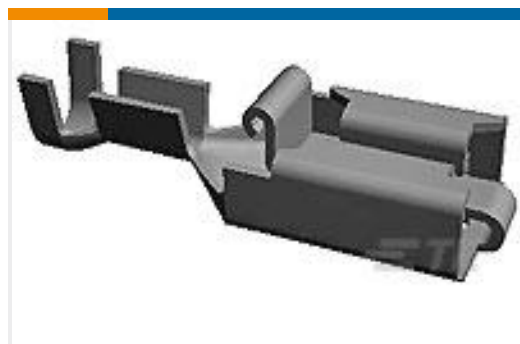


Rectangular Power Connectors(672)

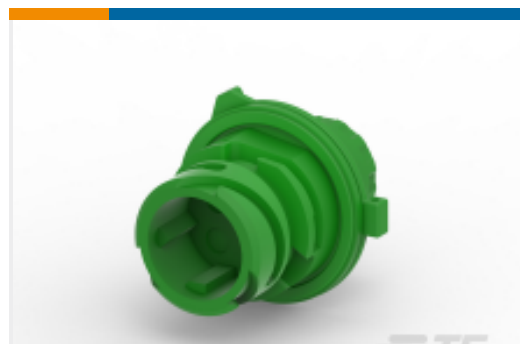
Customers Also Bought



TE Part #770041-1
12P UMNL II PLUG-FRONT 94VO



TE Part #790319-5
PL RECEPTACLE 3.3-6 MM2 TPPHBZ



TE Part #3-967402-1
2.5MM PIN HOUSING, 2-4POS.,ASS



TE Part #1-1718484-4
CARRIER FOR RECEPTACLE INSERTS



TE Part #CB88166002
RBK-VWS-125-NR1-X-100MM



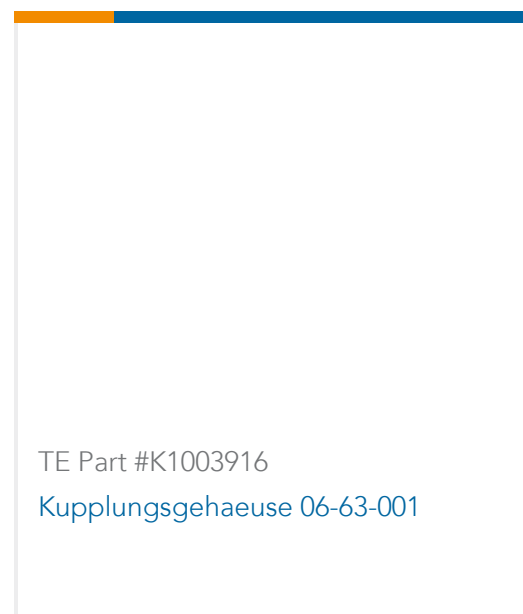
TE Part #1355528-2
MPQ 2.KONT-SICHNG8P



TE Part #8-1564284-6
96POS,MCON-1.2 CB,REC HSG,ASSY



TE Part #9-2348782-1
HD MATEnet 2+6 TAB HSG ASSY, GRP E



Documents

Product Drawings

[15P UMNL II CAP REAR 94VO](#)

English

CAD Files

[3D PDF](#)

3D

Customer View Model

[ENG_CVM_CVM_770058-1_V.2d_dxf.zip](#)

English

Customer View Model

[ENG_CVM_CVM_770058-1_V.3d_igs.zip](#)

English

Customer View Model

[ENG_CVM_CVM_770058-1_V.3d_stp.zip](#)

English

Customer View Model

[ENG_CVM_770058-1_E.3d_igs.zip](#)

English

Customer View Model

[ENG_CVM_770058-1_E.3d_stp.zip](#)

English

Customer View Model

[ENG_CVM_770058-1_E.2d_dxf.zip](#)

English

[3D PDF](#)

English

By downloading the CAD file I accept and agree to the [Terms and Conditions](#) of use.

Datasheets & Catalog Pages

[SOFT_SHELL_PIN_SOCKET_CONNECTORS_STANDARD_DENSITY](#)

English

Product Specifications

[Application Specification](#)

English

770058-1

Rectangular Power Connectors, Housing, Receptacle, Wire-to-Wire, 15 Position, 6.35 mm [.25 in] Centerline, Wire & Cable, Universal MATE-N-LOK

