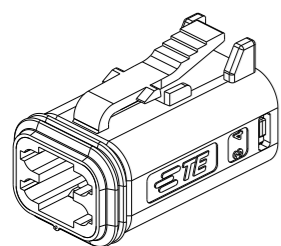
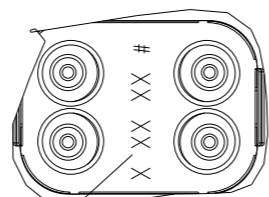
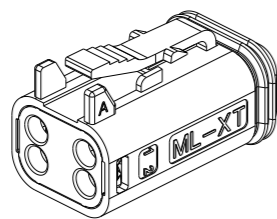


P	LTR	DESCRIPTION	DATE	DWN	APVD
	A	INITIAL RELEASE	19JUN2020	J.G	I.Y
	A1	ECR-20-010349	26JUL2020	J.G	I.Y
	A2	ECN-21-113425	17AUG2021	J.G	Z.Z



4CCT PLUG CONNECTOR WITHOUT HEATSHRINK HOUSING

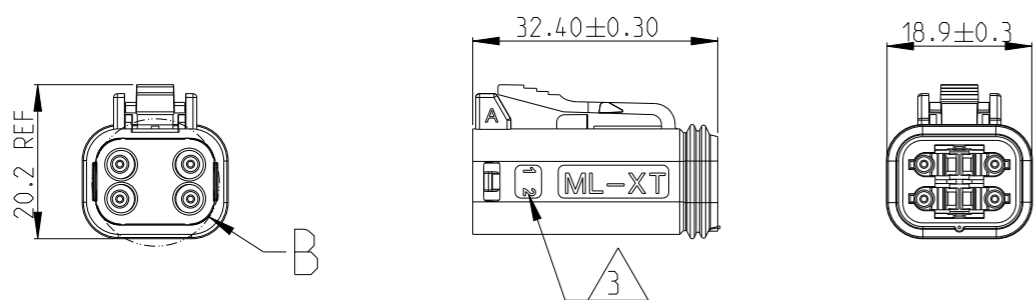


DETAIL B SCALE 2:1

4 DATE CODE: X XX XX
 X- DAY: 1- 7
 XX- WEEK: 01 - 52
 XX- YEAR: 00 - 99

#- MACHINE NO. 1

EXAMPLE: 11315 = DAY 1, WEEK 13, YEAR 15
i.e. 23rd OF MARCH 2015



1. THIS PLUG MATES WITH RECEPTACLE ASSEMBLY PN X-2600030-X, WEDGE LOCK PN W4SX.

2. MATERIALS

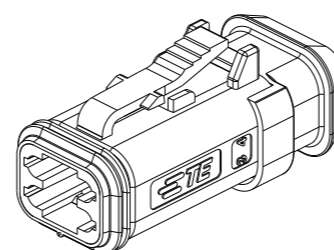
PLUG HOUSING: NYLON GF30, SEE PN TABLE FOR COLOUR; PLUG SEAL: SILICONE RUBBER, RED
 BACK SEAL: SILICONE RUBBER
 BACK COVER: NYLON GF30, BLACK
 HEATSHRINK HOUSING: NYLON GF30, BLACK

3 CIRCUIT IDENTIFICATION

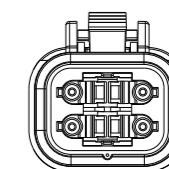
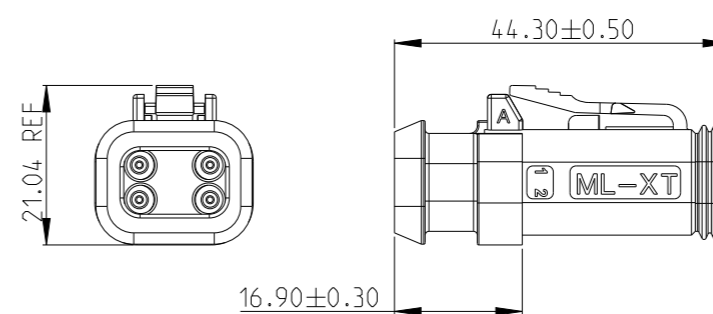
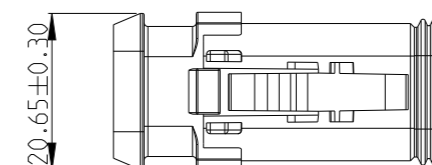
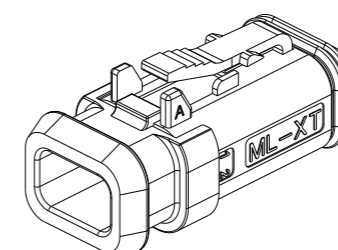
4 DATE CODE DESCRIPTION


5. JACKET RANGE LARGE = Ø2.23MM TO 3.68MM (SEAL COLOUR: LIGHT BLUE)
 JACKET RANGE SMALL = Ø1.20MM TO 3.05MM (SEAL COLOUR: BURNT ORANGE)

6. SEE SHEET 2 FOR FINAL PART NUMBER



4CCT PLUG CONNECTOR WITH HEATSHRINK HOUSING ULTRASONICALLY WELDED IN PLACE



THIS DRAWING IS A CONTROLLED DOCUMENT.		DWN J.GU 19JUN2020	 TE Connectivity													
DIMENSIONS: mm		CHK E. JIANG 19JUN2020														
TOLERANCES UNLESS OTHERWISE SPECIFIED:		APVD I.YIN 19JUN2020														
<table border="1"> <tr><td>0 PLC</td><td>±</td></tr> <tr><td>1 PLC</td><td>±</td></tr> <tr><td>2 PLC</td><td>±</td></tr> <tr><td>3 PLC</td><td>±</td></tr> <tr><td>4 PLC</td><td>±</td></tr> <tr><td>ANGLES</td><td>±</td></tr> <tr><td>FINISH</td><td>-</td></tr> </table>		0 PLC			±	1 PLC	±	2 PLC	±	3 PLC	±	4 PLC	±	ANGLES	±	FINISH
0 PLC	±															
1 PLC	±															
2 PLC	±															
3 PLC	±															
4 PLC	±															
ANGLES	±															
FINISH	-															
MATERIAL -		NAME 4CCT DT-XT CONNECTOR PLUG ASSEMBLY		RESTRICTED TO -												
		SIZE A3	CAGE CODE 00779	DRAWING NO C-2600031												
		CUSTOMER DRAWING; RESTRICTED CUSTOMER		SCALE 1:1 SHEET 1 OF 2 REV A2												

THIS DRAWING IS UNPUBLISHED.

RELEASED FOR PUBLICATION

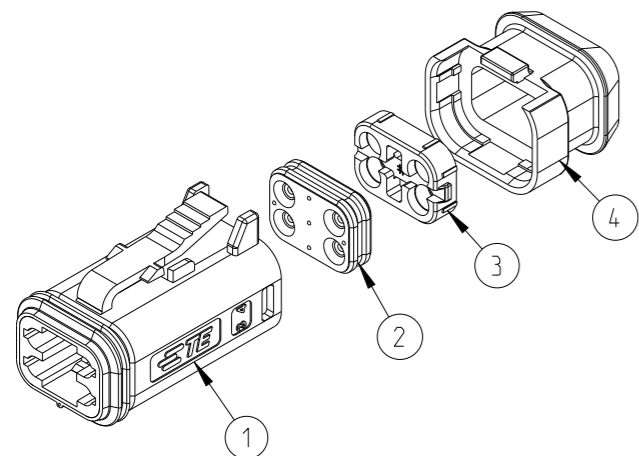
20

REVISIONS

© COPYRIGHT 2020 TE Connectivity. All Rights Reserved.

ALL RIGHTS RESERVED.

P	LTR	DESCRIPTION	DATE	DWN	APVD
		SEE SHEET 1			



3--6	934453609	-	8.97
3--5	934453608	-	8.97
3--4	934453607	-	8.97
3--3	934453606	-	8.97
3--2	934453605	-	8.97
3--1	934453604	-	8.97
3--0	934453603	-	8.97
2--9	934453602	-	8.97
2--8	934453601	-	8.97
2--7	934453509	-	8.97
2--6	934453508	-	8.97
2--5	934453507	-	8.97
2--4	934453506	-	8.97
2--3	934453505	-	8.97
2--2	934453504	-	8.97
2--1	934453503	-	8.97
2--0	934453502	-	8.97
1--9	934453501	-	8.97
1--8	934453209	-	6.56
1--7	934453208	-	6.56
1--6	934453207	-	6.56
1--5	934453206	-	6.56
1--4	934453205	-	6.56
1--3	934453204	-	6.56
1--2	934453203	-	6.56
1--1	934453202	-	6.56
1--0	934453201	-	6.56
-9	934453109	-	6.56
-8	934453108	-	6.56
-7	934453107	-	6.56
-6	934453106	-	6.56
-5	934453105	-	6.56
-4	934453104	-	6.56
-3	934453103	-	6.56
-2	934453102	-	6.56
-1	934453101	-	6.56

QTY. REQUEST PER ASSY

-	-	-	-	-	-	-	-	1	-	1	1	1
-	-	-	-	-	-	-	1	-	-	1	1	1
-	-	-	-	-	-	1	-	-	-	1	1	1
-	-	-	-	-	1	-	-	-	-	1	1	1
-	-	-	1	-	-	-	-	-	-	1	1	1
-	-	1	-	-	-	-	-	-	-	1	1	1
1	-	-	-	-	-	-	-	-	-	1	1	1
-	-	-	-	-	-	-	1	-	1	-	1	1
-	-	-	-	-	-	-	1	-	1	-	1	1
-	-	-	-	-	-	1	-	-	1	-	1	1
-	-	-	-	1	-	-	-	-	1	-	1	1
-	-	1	-	-	-	-	-	-	1	-	1	1
-	1	-	-	-	-	-	-	-	1	-	1	1
1	-	-	-	-	-	-	-	-	1	-	1	1
-	-	-	-	-	-	-	-	1	-	1	1	-
-	-	-	-	-	-	-	1	-	-	1	1	-
-	-	-	-	1	-	-	-	-	-	1	1	-
-	-	1	-	-	-	-	-	-	-	1	1	-
1	-	-	-	-	-	-	-	-	-	1	1	-
-	-	-	-	-	-	-	-	1	1	-	1	-
-	-	-	-	-	-	1	-	-	-	1	1	-
-	-	-	-	-	1	-	-	-	-	1	1	-
-	-	-	-	-	-	-	-	-	1	-	1	-
-	-	1	-	-	-	-	-	-	-	1	1	-
1	-	-	-	-	-	-	-	-	-	1	1	-

TE PN	ALIAS PN	REVISION OF EACH ASSY NO.	WEIGHT OF EACH ASSY(g)	COLOR	BLACK	GERY	GREEN	BLUE	YELLO W	WHIT E	BROW N	ORANG E	RED	BURNT ORANGE	LIGHT BLUE	BLACK	BLACK
				MATERIAL	NYLON GF30	NYLON GF30	NYLON GF30	NYLON GF30	NYLON GF30	NYLON GF30	NYLON GF30	NYLON GF30	NYLON GF30	SILICONE RUBBER	SILICONE RUBBER	NYLON GF30	NYLON GF30
				DESCRIPTION	PLUG HOUSING								BACK SEAL SMALL	BACK SEAL LARGE	BACK COVER	HEATSHRINK HOUSING	
				ITEM NO	1								2		3	4	

THIS DRAWING IS A CONTROLLED DOCUMENT.

DWN J.GU 19JUN2020
 CHK E. JIANG 19JUN2020
 APVD L.YIN 19JUN2020

PRODUCT SPEC 108-160026
 APPLICATION SPEC 114-160017

WEIGHT -

CUSTOMER DRAWING; RESTRICTED CUSTOMER

SCALE 1:1 SHEET 2 OF 2 REV A2

NAME 4CCT DT-XT CONNECTOR PLUG ASSEMBLY

SIZE A3 CAGE CODE 00779 DRAWING NO C-2600031 RESTRICTED TO -

STE TE Connectivity

DIMENSIONS:	TOLERANCES UNLESS OTHERWISE SPECIFIED:
mm	
	0 PLC ± 1 PLC ± 2 PLC ± 3 PLC ± 4 PLC ± ANGLES ±
MATERIAL -	FINISH -