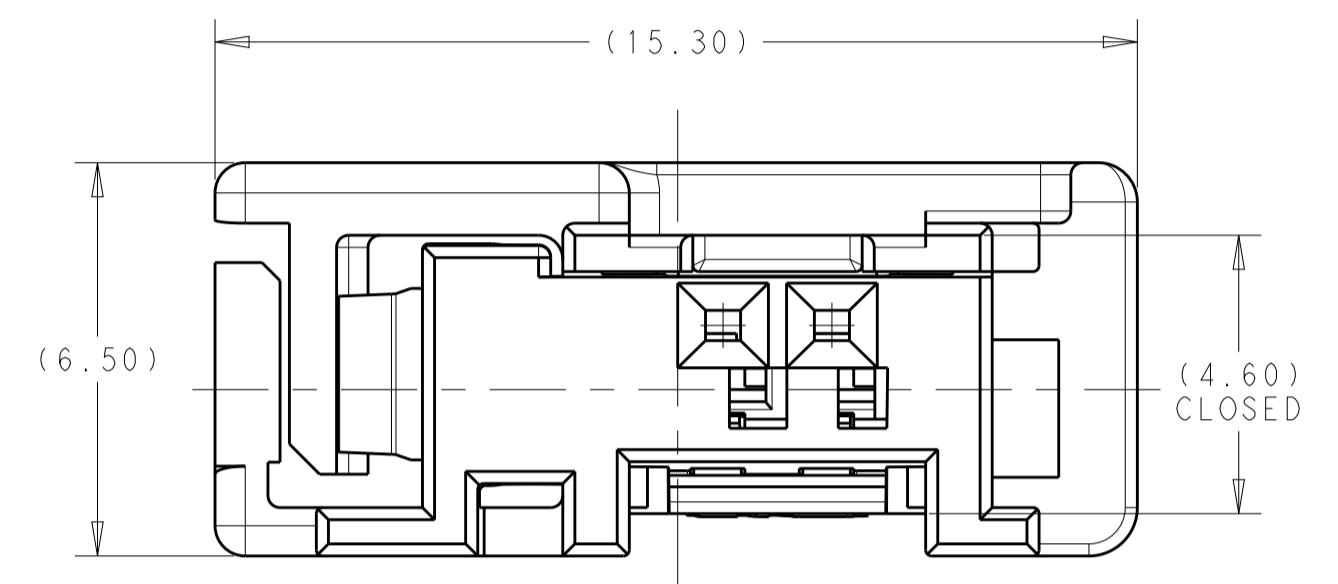
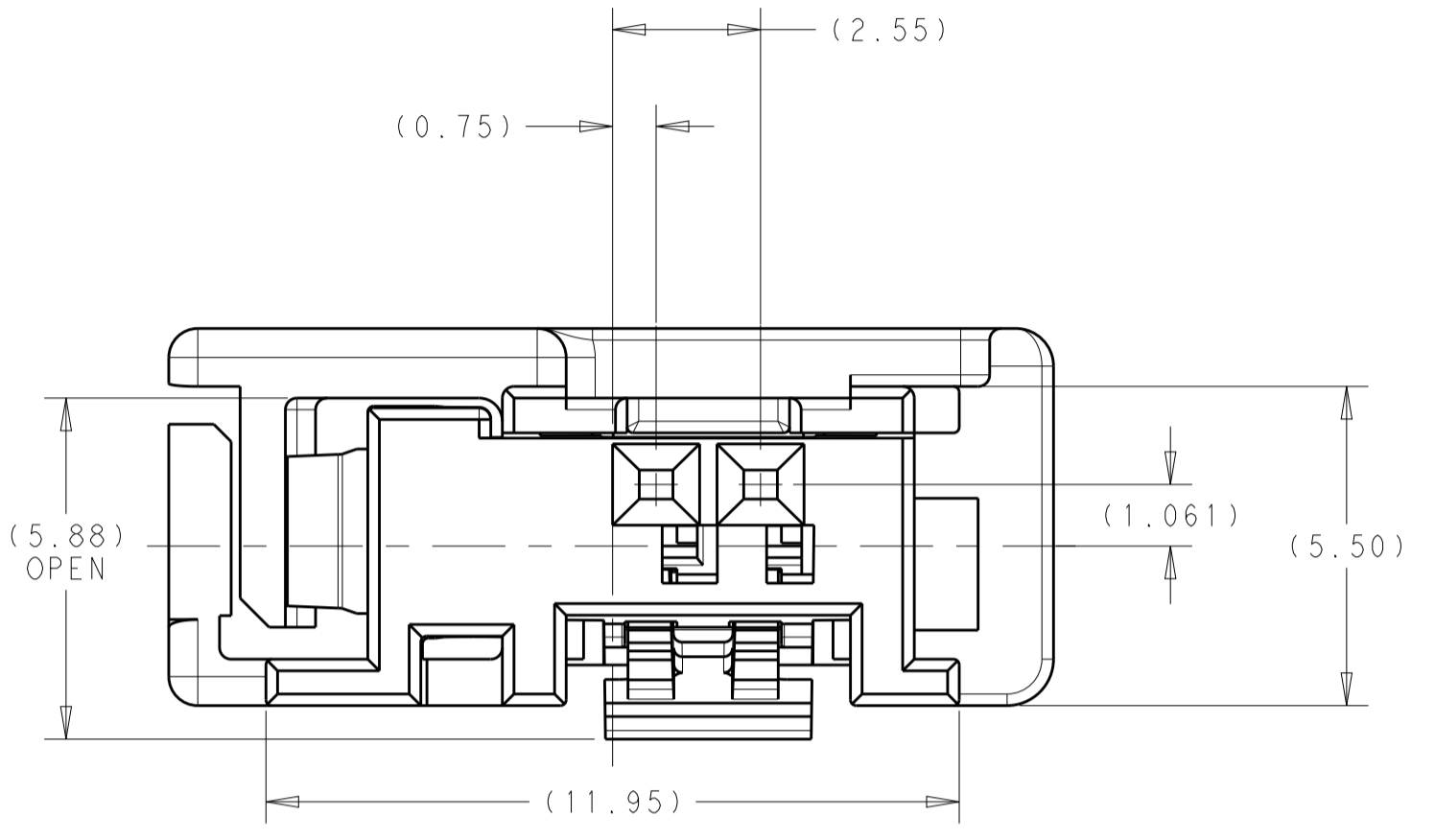


REVISIONS					
P.	LTN	DESCRIPTION	DATE	DWN	APVD
1		INITIAL DRAFT	24JUL2018	AK	CJ
A		RELEASE PER ECO-18-012975	15AUG2018	CJ	CJ
A1		REV PER ECO-18-014661	18SEP2018	MK	TO

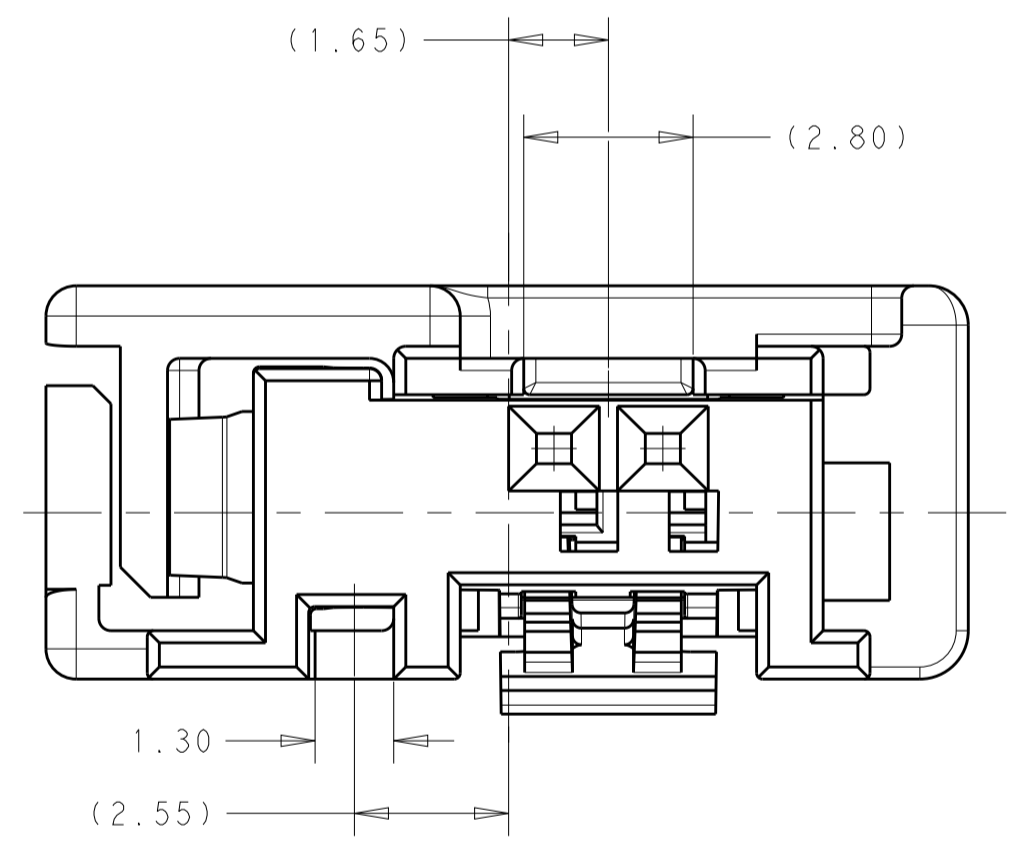
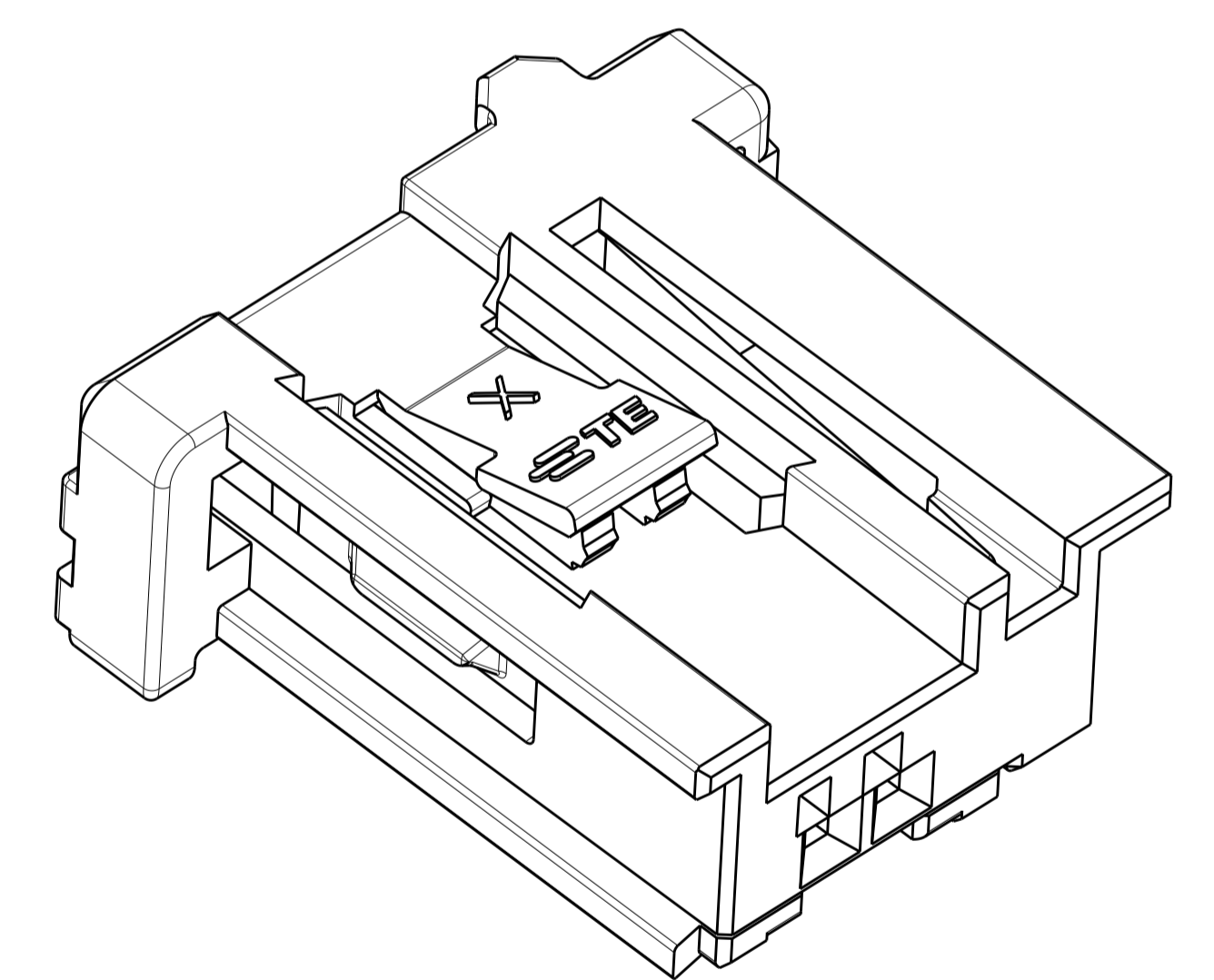
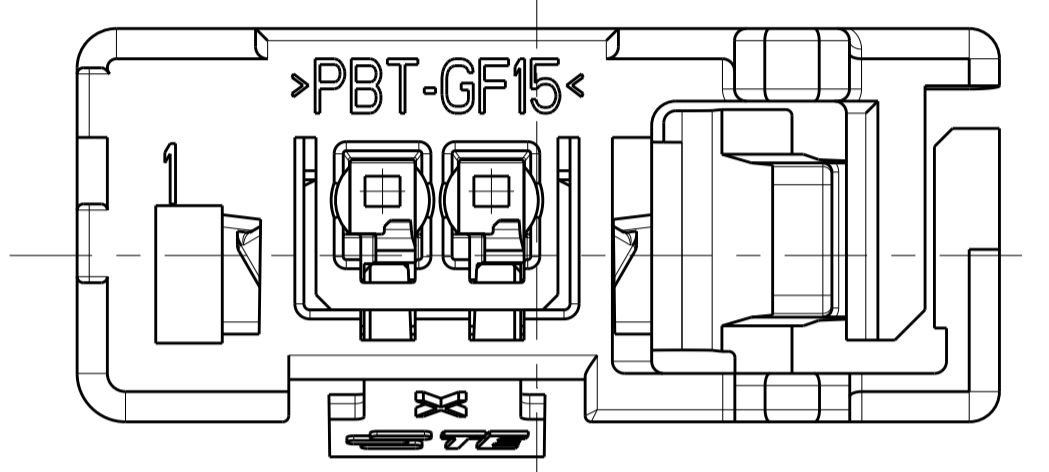
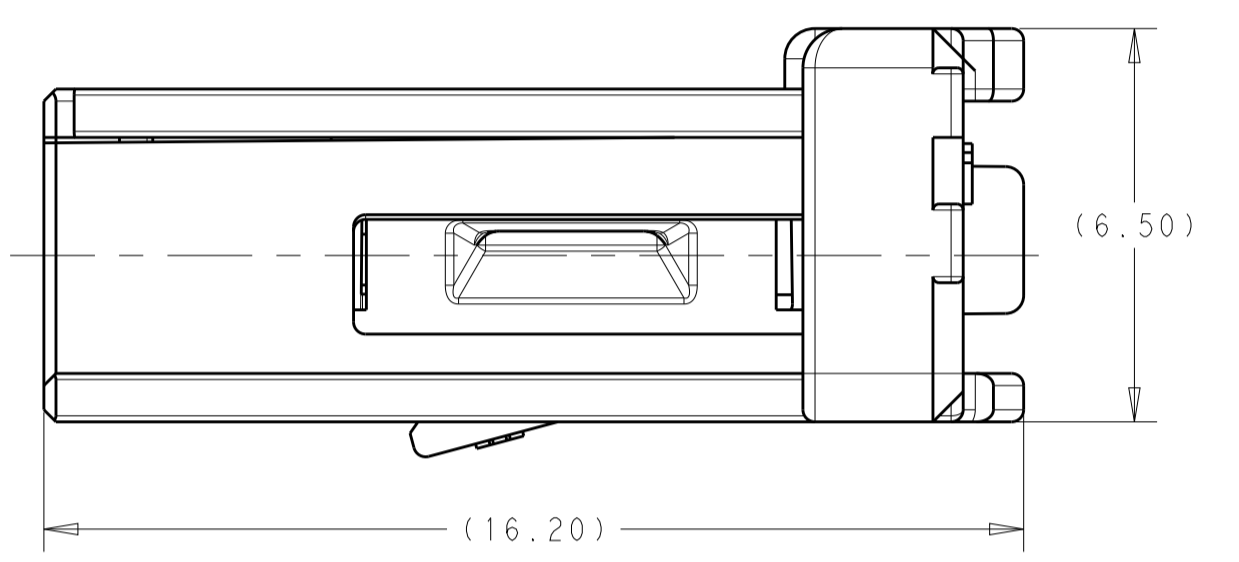
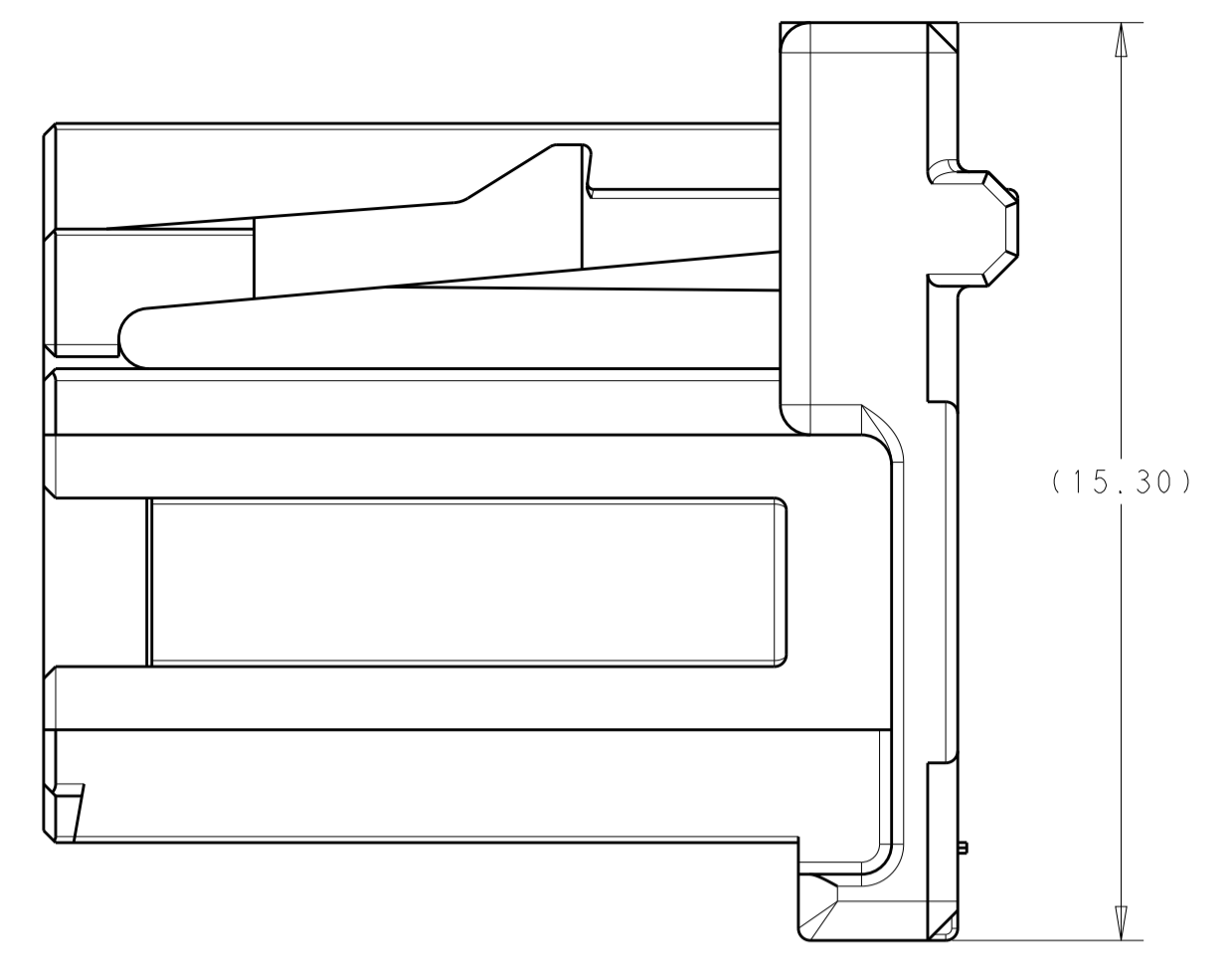
- 2291329-1 SHOWN IN GENERAL VIEW.
- MATERIAL: PBT, 15% GLASS FILLED
- THIS CONNECTOR HAS BEEN VALIDATED TO USCAR-2 REV. 6 TO ENVIRONMENTAL CLASSIFICATION LEVELS T2, V1, AND S1
- IN CASE OF ACCIDENTAL OR PARTIAL ISL CLOSURE, PLEASE REFERENCE TE INSTRUCTION SHEET 408-32257 FOR INSTRUCTION ON RESETTING THE ISL



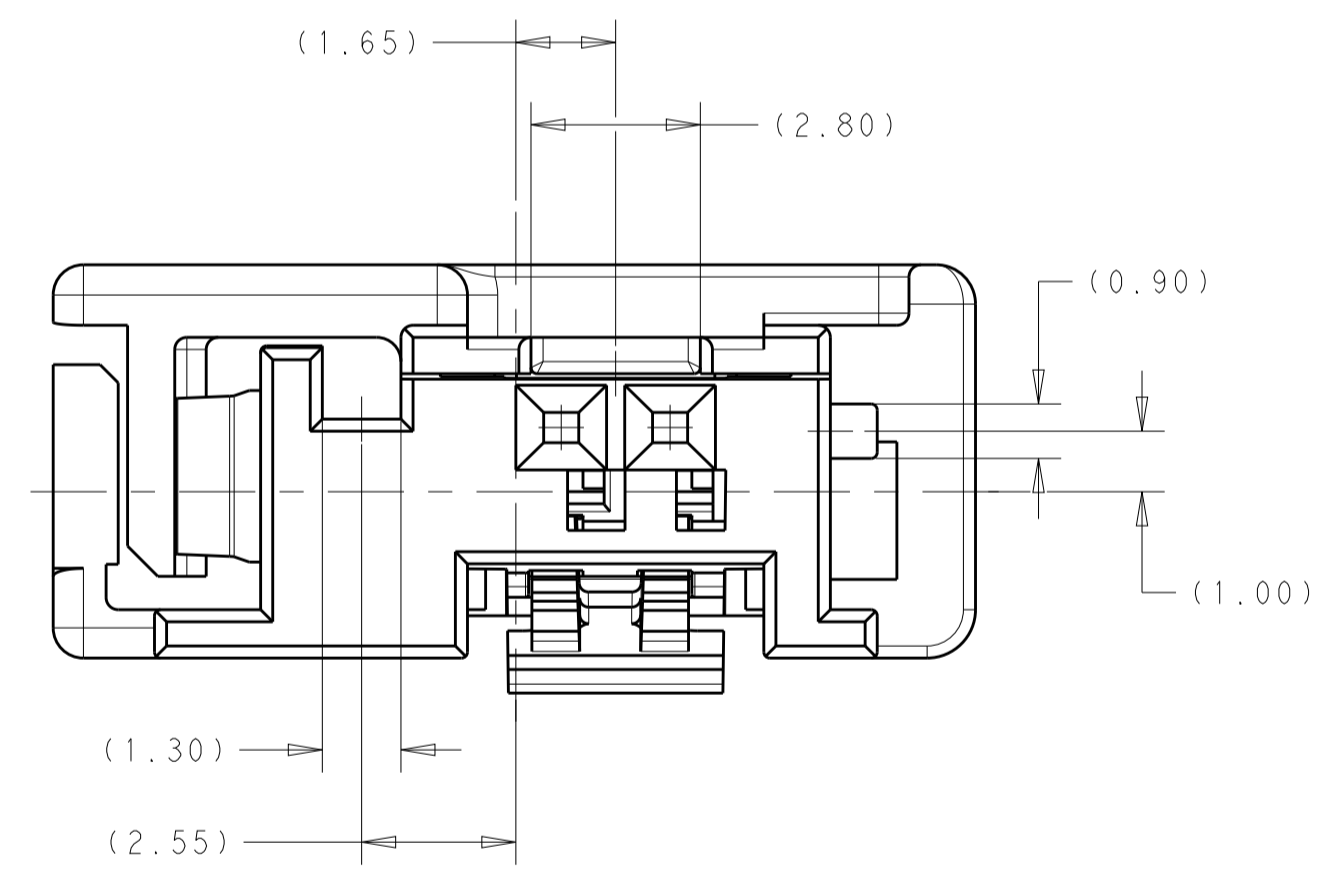
SECONDARY LOCK SHOWN IN CLOSED CONDITION



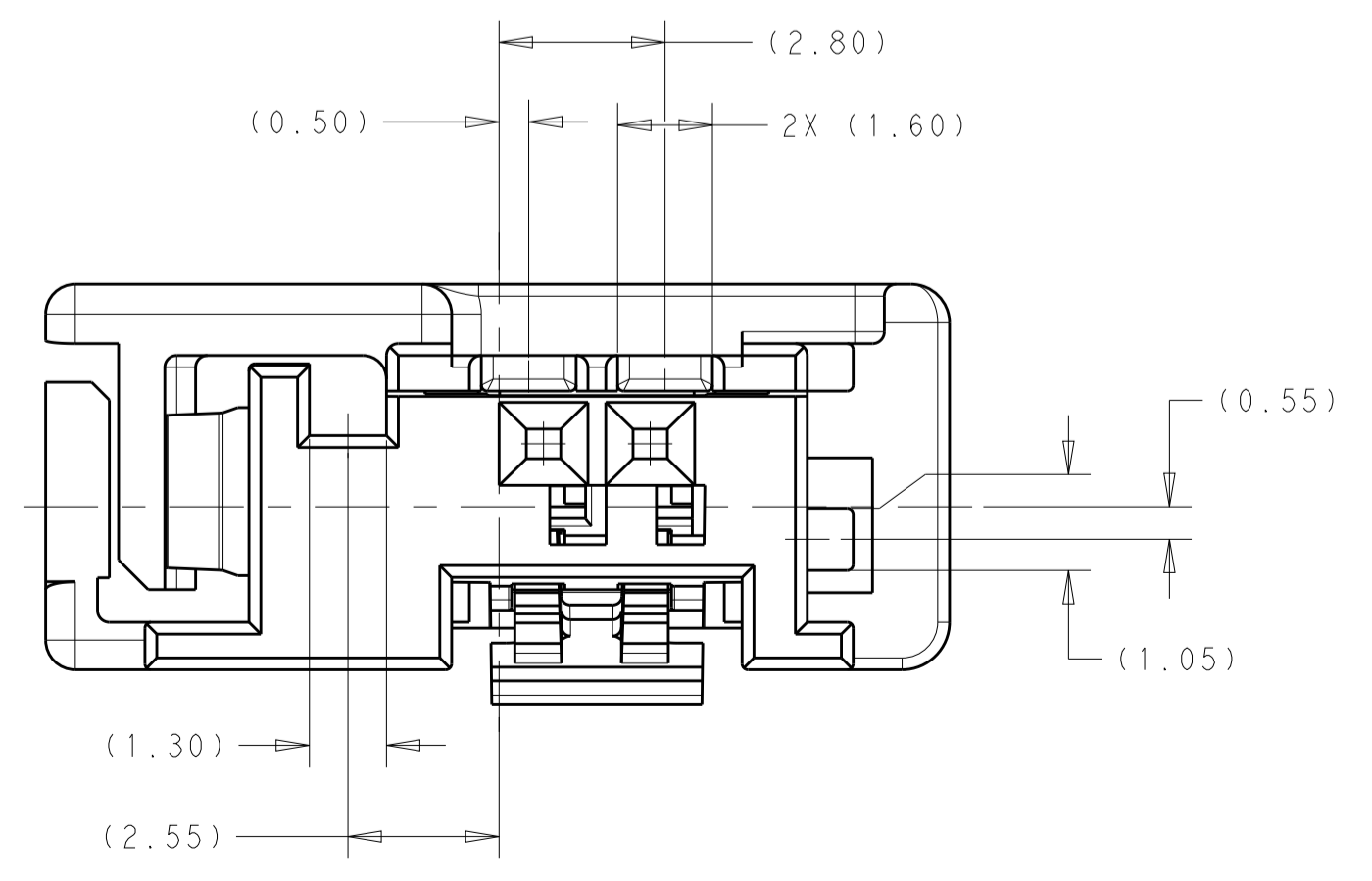
SECONDARY LOCK SHOWN IN OPEN CONDITION



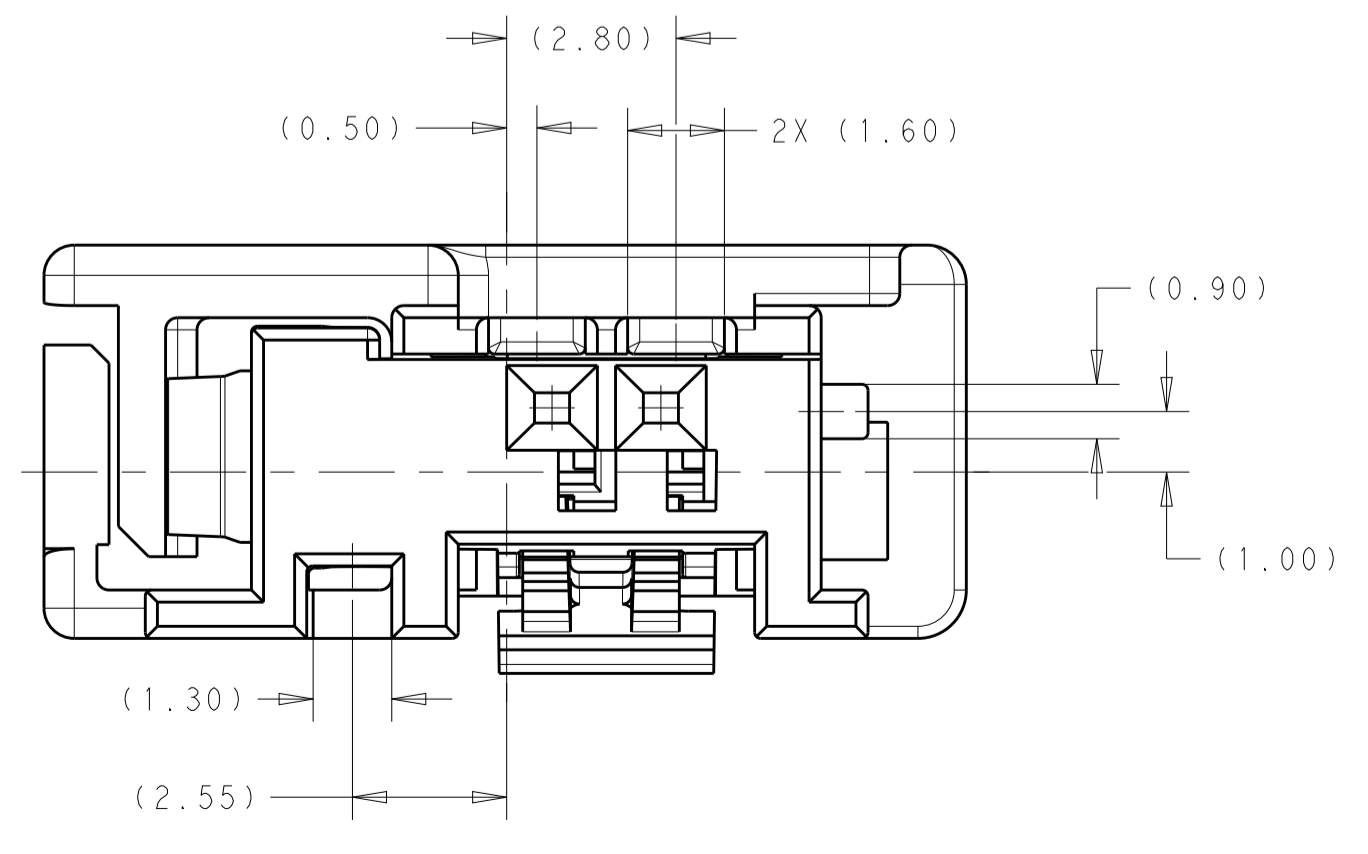
KEY CODE A



KEY CODE B



KEY CODE C



KEY CODE D

COLOR	KEY CODE	PART NUMBER
BLUE	KEY CODE D	2291329-4
GRAY	KEY CODE C	2291329-3
NATURAL (IVORY)	KEY CODE B	2291329-2
BLACK	KEY CODE A	2291329-1

THIS DRAWING IS A CONTROLLED DOCUMENT.

DIMENSIONS:	TOLERANCES UNLESS OTHERWISE SPECIFIED:	DWN	A. KUMAR	24JUL2018
mm	0 PLC ±	CHK	C. KUMAR	26JUL2018
	1 PLC ±0.5	APVD	C. JACINTO	28JUL2018
	2 PLC ±	PRODUCT SPEC		
	3 PLC ±	APPLICATION SPEC		
	4 PLC ±	SIZE	CAGE CODE	DRAWING NO
	ANGLES ±	WEIGHT	0.78g	A1
MATERIAL	FINISH	CUSTOMER DRAWING		

NAME: PLUG HOUSING, 2 POSN, 1.80 CENTERLINE, UNSEALED, GENERATION 50
 SCALE: 8:1 SHEET 1 OF 1 REV A1