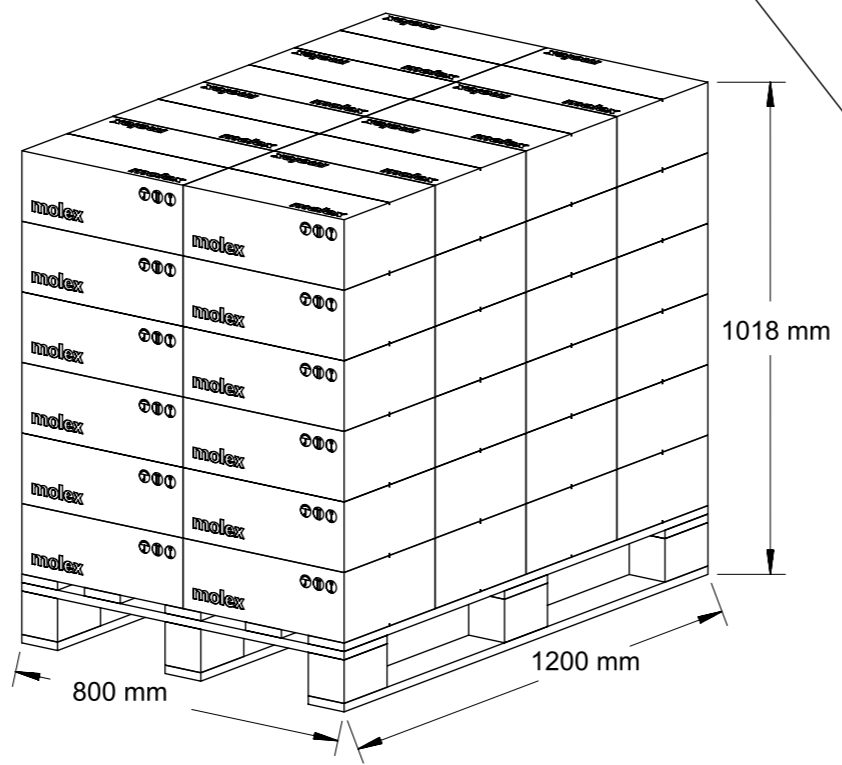
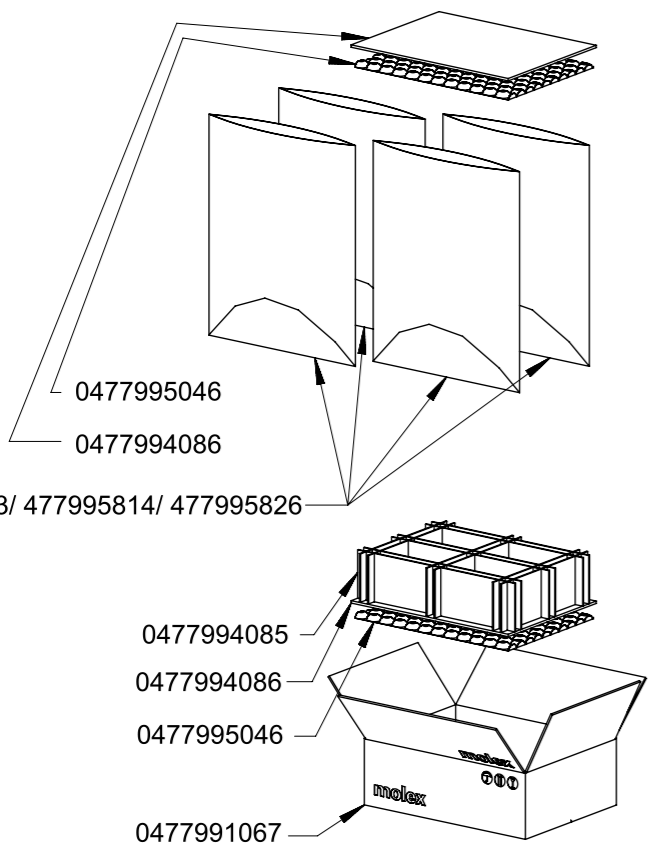
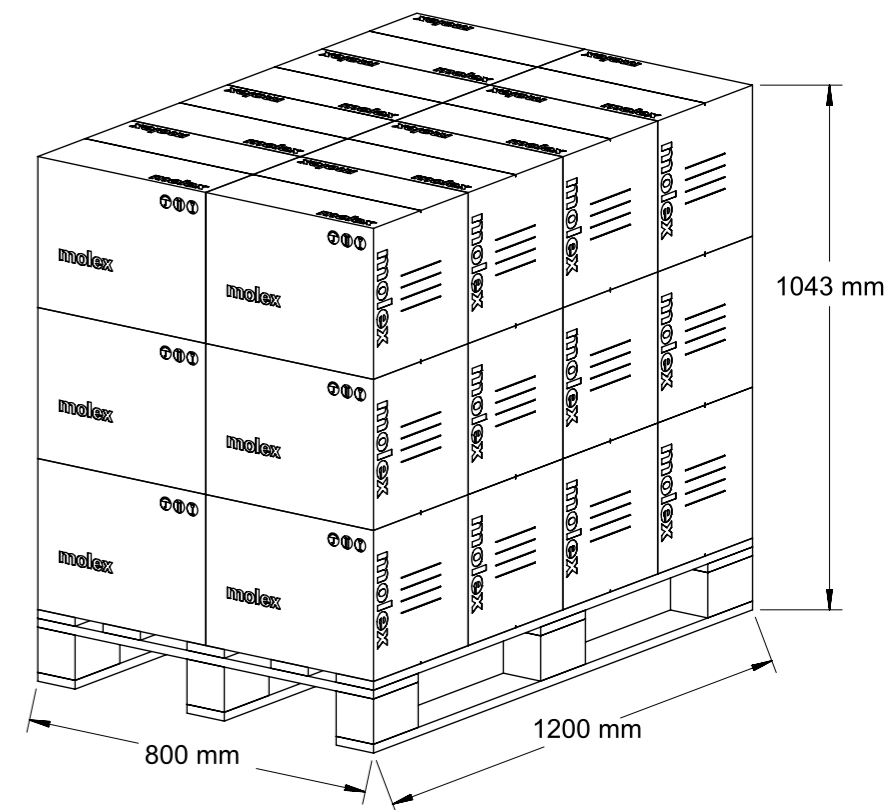
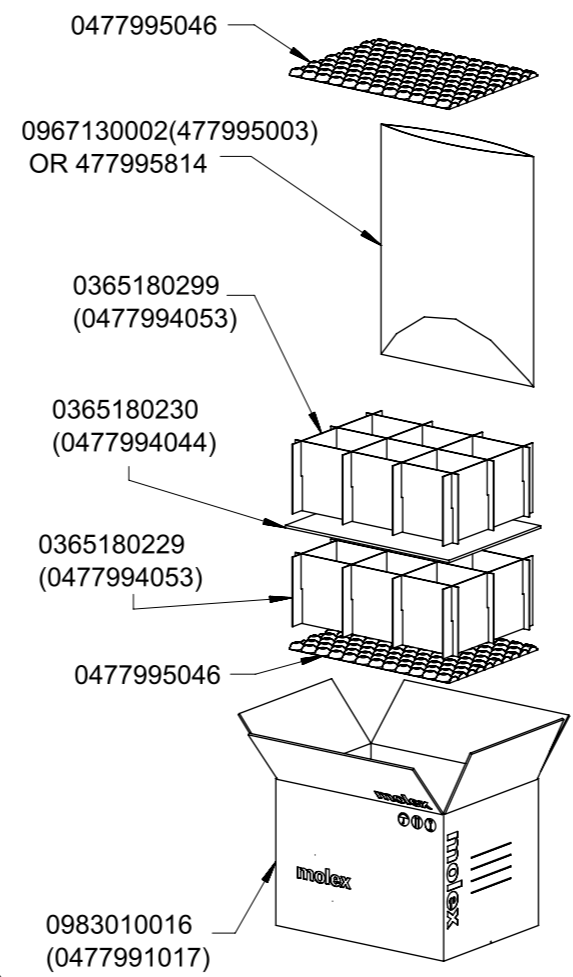


NOTES:

1. FOLD AND TAPE THE BOTTOM FLAPS OF THE CARTON.
2. INSERT THE PADS, BUBBLE AND PARTITIONS AS SHOWN.
3. FILL BAGS WITH CONNECTORS AND INSERT ONE BAG INTO EACH PARTITION CELL WITH ROUGHLY EQUAL NUMBERS PER BAG. (FOR 20582720** INSERT CONNECTORS INTO ONE BAG AND SEAL, THE QUANTITY PER BAG SHALL MATCH THE QTY/BAG IN THE TABLE. THEN PLACE ONE FILLED BAG INTO EACH CELL OF THE PARTITION.)
4. FOLD AND TAPE THE TOP FLAPS OF THE CARTON.
5. LABEL, THEN PALLETIZE AS SHOWN.
6. UNITIZE THE PALLET LOAD PER PK-47799-625 FOR SHIPPING.
7. FOR PART 0335361605, ONLY SHIP PRODUCT ON PALLETS IN FULL LAYER QUANTITIES. THE MINIMUM SHIPMENT CONTAINING 1 LAYER OF CARTONS FOR A TOTAL OF 24,000 PARTS, WITH A MAXIMUM OF 3 LAYERS OF CARTONS, WITH A TOTAL PART QTY OF 72,000 PARTS.



FUNCTIONAL SYMBOLS $\nabla_A = 0$ $\nabla_E = 0$ $\nabla_P = 0$	THIS DRAWING CONTAINS INFORMATION THAT IS PROPRIETARY TO MOLEX ELECTRONIC TECHNOLOGIES, LLC AND SHOULD NOT BE USED WITHOUT WRITTEN PERMISSION		
	FUNCTIONAL SYMBOLS $\nabla_A = 0$ $\nabla_E = 0$ $\nabla_P = 0$	DIMENSION UNITS: mm SCALE: 1:1	CURRENT REV DESC: UPDATED THE TABLE
	GENERAL TOLERANCES (UNLESS SPECIFIED) ANGULAR TOL $\pm 1^\circ$ 4 PLACES \pm 3 PLACES \pm 2 PLACES ± 0.130 1 PLACE ± 0.25 0 PLACES \pm		STATUS: Production DRWN: Sachin Gunagi CHK'D: Ganesh Rao B APPR: Gurunandan GA
	DIVISIONAL SYMBOLS 2 PLACES ± 0.130 1 PLACE ± 0.25 0 PLACES \pm		2022-08-10 2023-01-12 2023-01-12
DRAFT WHERE APPLICABLE MUST REMAIN WITHIN DIMENSIONS		THIRD ANGLE PROJECTION 	DRAWING: A3-SIZE SERIES: 31300
MATERIAL NUMBER: SEE TABLE CUSTOMER: GENERAL MARKET		DOCUMENT NUMBER: PK-31301-538 DOC TYPE: PDD DOC PART: 001 REVISION: H1	SHEET NUMBER: 1 OF 4

PRODUCT MAT'L #	PRODUCT DESCRIPTION	SPQ	CARTON MAT'L #	TOTE MAT'L #	BAG MAT'L #		BAGS/ CARTON	PARTITION MAT'L #	PARTITIONS/ CARTON	BUBBLE MAT'L #	BUBBLE/ CARTON	PAD MAT'L #	PADS/ CARTON	GROSS WEIGHT
					Manual	Automatic								
(H1) 335361605	MX150 SEALED, 16 WAY HYBRID RCPT, 2 ROW GROMMET CAP *SEE NOTE 7*	2512		309072080	967130037		1						1	TBD
034791002*	1X2 WAY, RECEPTACLE W/O CPA TRAY	6,000	477991017		477995003		12	477994053	2	477995046	2	477994044	1	TBD
034791012*	1X2 WAY, RECEPTACLE WITH CPA TRAY													
034791004*	1X4 WAY, RECEPTACLE W/O BRIDGE	5,400	477991017		477995003		12	477994053	2	477995046	2	477994044	1	TBD
034791008*	1X8 WAY, RECEPTACLE W/O BRIDGE	3,000	477991017		477995003		12	477994053	2	477995046	2	477994044	1	TBD
034791014*	1X4 WAY, RECEPTACLE WITH BRIDGE	5,400	477991017		477995003		12	477994053	2	477995046	2	477994044	1	TBD
034791018*	1X8 WAY, RECEPTACLE WITH BRIDGE	3,000	477991017		477995003		12	477994053	2	477995046	2	477994044	1	TBD
0347915140,1,2,3	1X4 WAY, RECEPTACLE WITH BRIDGE & CPA	5,400	477991017		477995003		12	477994053	2	477995046	2	477994044	1	TBD
0347915180,1,2	1X8 WAY, RECEPTACLE WITH BRIDGE & CPA	1,800	477991017		477995003		12	477994053	2	477995046	2	477994044	1	TBD
348240120	12 WAY, 2 ROW, RECEPTACLE W/O BRIDGE, LOW PROFILE	520	477991067		477995003		4	477994085	1	477995046	2	477994086	2	TBD
0348240124, 5, 6	12 WAY, 2 ROW, RECEPTACLE W/O BRIDGE	520	477991067		477995003		4	477994085	1	477995046	2	477994086	2	TBD
034824016*	16 WAY, 2 ROW, RECEPTACLE W/O BRIDGE	400	477991067		477995003		4	477994085	1	477995046	2	477994086	2	TBD
034824020*	20 WAY, 2 ROW, RECEPTACLE W/O BRIDGE	320	477991067		477995003		4	477994085	1	477995046	2	477994086	2	TBD
034824024*	24 WAY, 2 ROW, RECEPTACLE W/O BRIDGE	280	477991067		477995003		4	477994085	1	477995046	2	477994086	2	TBD
0348241120, 1, 2	12 WAY, 2 ROW, RECEPTACLE WITH BRIDGE, LOW PROFILE	520	477991067		477995003		4	477994085	1	477995046	2	477994086	2	TBD
0348241124, 5, 6	12 WAY, 2 ROW, RECEPTACLE WITH BRIDGE	520	477991067		477995003		4	477994085	1	477995046	2	477994086	2	TBD
034824116*	16 WAY, 2 ROW, RECEPTACLE WITH BRIDGE	400	477991067		477995003		4	477994085	1	477995046	2	477994086	2	TBD
034824120*	20 WAY, 2 ROW, RECEPTACLE WITH BRIDGE	320	477991067		477995003		4	477994085	1	477995046	2	477994086	2	TBD
034824124*	24 WAY, 2 ROW, RECEPTACLE WITH BRIDGE	280	477991067		477995003		4	477994085	1	477995046	2	477994086	2	TBD
0348245124,5,6	12 WAY, 2 ROW, RECEPTACLE WITH BRIDGE & CPA	520	477991067		477995003		4	477994085	1	477995046	2	477994086	2	TBD
034824216*	16 WAY, 2 ROW, RECEPTACLE WITH BRIDGE & CPA	400	477991067		477995003		4	477994085	1	477995046	2	477994086	2	TBD
034824220*	20 WAY, 2 ROW, RECEPTACLE WITH BRIDGE & CPA	320	477991067		477995003		4	477994085	1	477995046	2	477994086	2	TBD
034824224*	24 WAY, 2 ROW, RECEPTACLE WITH BRIDGE & CPA	280	477991067		477995814		4	477994085	1	477995046	2	477994086	2	TBD
0349590340-5	34 WAY, 3 ROW RECEPTACLE	280	477991067		477995003	477995826	4	477994085	1	477995046	2	477994086	2	TBD
0349590347-9														
0349590383,4,5														
-	38 WAY, 3 ROW RECEPTACLE	280	477991067		477995003	477995826	4	477994085	1	477995046	2	477994086	2	3 KG
034959039*														
2005760081, 2, 3	MINI50 AK 8CKT RECEPTACLE W/O CPA	700	477991067		477995003		4	477994085	1	477995046	2	477994086	2	1.9 KG
2005760084, 5, 6	MINI50 AK 8CKT RECEPTACLE WITH CPA	700	477991067		477995003		4	477994085	1	477995046	2	477994086	2	1.9 KG
206523012*	MINI50 GEN II 12CKT RCPT W/O CPA	720	477991067		477995003		4	477994085	1	477995046	2	477994086	2	TBD
206523212*	MINI50 GEN II 12CKT RCPT W/ CPA	720	477991067		477995814		4	477994085	1	477995046	2	477994086	2	TBD
206523024*	MINI50 GEN II 24CKT RCPT W/O CPA	1,920	477991017		477995003		12	477994053	2	477995046	2	477994044	1	TBD
206523224*	MINI50 GEN II 24CKT RCPT W/ CPA	1,920	477991017		477995814		12	477994053	2	477995046	2	477994044	1	TBD
2133560340--5	MINI50 V0 CONN RCPT 34CKT	280	477991067		477995003		4	477994085	1	477995046	2	477994086	2	TBD
2133560380--5	MINI50 V0 CONN RCPT 38CKT	280	477991067		477995003		4	477994085	1	477995046	2	477994086	2	TBD

FUNCTIONAL SYMBOLS	THIS DRAWING CONTAINS INFORMATION THAT IS PROPRIETARY TO MOLEX ELECTRONIC TECHNOLOGIES, LLC AND SHOULD NOT BE USED WITHOUT WRITTEN PERMISSION	
	DIMENSION UNITS	SCALE
$\nabla_A = 0$	mm	1:1
$\nabla_E = 0$	GENERAL TOLERANCES (UNLESS SPECIFIED)	
$\nabla_P = 0$	ANGULAR TOL ± 1°	
DIVISIONAL SYMBOLS	4 PLACES	±
	3 PLACES	±
	2 PLACES	± 0.130
	1 PLACE	± 0.25
	0 PLACES	±
DRAFT WHERE APPLICABLE MUST REMAIN WITHIN DIMENSIONS		THIRD ANGLE PROJECTION
		DRAWING
		SERIES
		MATERIAL NUMBER
		CUSTOMER
		SHEET NUMBER

CURRENT REV DESC: UPDATED THE TABLE		
molex		
BULK PACK FOR MINI50 1, 2, & 3-ROW RCPT AND VARIOUS OTHER COMPONENTS		
PRODUCT DESIGN DRAWING		
STATUS: Production	2022-08-10	DOCUMENT NUMBER
DRWN: Sachin Gunagi	2023-01-12	DOC TYPE DOC PART REVISION
CHK'D: Ganesh Rao B	2023-01-12	PK-31301-538 PDD 001 H1
APPR: Gurunandan GA		
A3-SIZE	31300	SEE TABLE GENERAL MARKET
2 OF 4		

F

F

PRODUCT MAT'L #	PRODUCT DESCRIPTION	SPQ	CARTON MAT'L #	BAG MAT'L #		BAGS/ CARTON	PARTITION MAT'L #	PARTITIONS /CARTON	BUBBLE MAT'L #	BUBBLE/ CARTON	PAD MAT'L #	PADS/ CARTON	GROSS WEIGHT
				Manual	Automatic								
206523016*	MINI50 GEN II 16CKT RCPT W/O CPA	500	0477991067	0477995003		4	0477994085	1	0477995046	2	0477994086	2	TBD
206523216*	MINI50 GEN II 16CKT RCPT W/ CPA	500	0477991067	0477995814		4	0477994085	1	0477995046	2	0477994086	2	TBD
206523020*	MINI50 GEN II 20CKT RCPT W/O CPA	400	0477991067	0477995003		4	0477994085	1	0477995046	2	0477994086	2	TBD
206523220*	MINI50 GEN II 20CKT RCPT W/ CPA	400	0477991067	0477995814		4	0477994085	1	0477995046	2	0477994086	2	TBD
2075840121	MINI50 GEN II 12CKT RECPT KEY A W/O CPA	720	0477991067	0477995003		4	0477994085	1	0477995046	2	0477994086	2	TBD
2075840122	MINI50 GEN II 12CKT RECPT KEY B W/O CPA	720	0477991067	0477995003		4	0477994085	1	0477995046	2	0477994086	2	TBD
2075840123	MINI50 GEN II 12CKT RECPT KEY C W/O CPA	720	0477991067	0477995003		4	0477994085	1	0477995046	2	0477994086	2	TBD
2075842121	MINI50 GEN II 12CKT RECPT KEY A W/CPA	720	0477991067	0477995814		4	0477994085	1	0477995046	2	0477994086	2	TBD
2075842122	MINI50 GEN II 12CKT RECPT KEY B W/CPA	720	0477991067	0477995814		4	0477994085	1	0477995046	2	0477994086	2	TBD
2075842123	MINI50 GEN II 12CKT RECPT KEY C W/CPA	720	0477991067	0477995814		4	0477994085	1	0477995046	2	0477994086	2	TBD
2075840161	MINI50 GEN II 16CKT RECPT KEY A W/O CPA	500	0477991067	0477995003		4	0477994085	1	0477995046	2	0477994086	2	TBD
2075840162	MINI50 GEN II 16CKT RECPT KEY B W/O CPA	500	0477991067	0477995003		4	0477994085	1	0477995046	2	0477994086	2	TBD
2075840163	MINI50 GEN II 16CKT RECPT KEY C W/O CPA	500	0477991067	0477995003		4	0477994085	1	0477995046	2	0477994086	2	TBD
2075842161	MINI50 GEN II 16CKT RECPT KEY A W/CPA	500	0477991067	0477995814		4	0477994085	1	0477995046	2	0477994086	2	TBD
2075842162	MINI50 GEN II 16CKT RECPT KEY B W/CPA	500	0477991067	0477995814		4	0477994085	1	0477995046	2	0477994086	2	TBD
2075842163	MINI50 GEN II 16CKT RECPT KEY C W/CPA	500	0477991067	0477995814		4	0477994085	1	0477995046	2	0477994086	2	TBD
2058272021	CONNTAK50 - 02CKT RCPT HSG TANG - POL A	2800	0477991067	0477995003		4	0477994085	1	0477995046	2	0477994086	2	TBD
2058272022	CONNTAK50 - 02CKT RCPT HSG TANG - POL B	2800	0477991067	0477995003		4	0477994085	1	0477995046	2	0477994086	2	TBD
2058272023	CONNTAK50 - 02CKT RCPT HSG TANG - POL C	2800	0477991067	0477995003		4	0477994085	1	0477995046	2	0477994086	2	TBD
2058272024	CONNTAK50 - 02CKT RCPT HSG TANG - POL D	2800	0477991067	0477995003		4	0477994085	1	0477995046	2	0477994086	2	TBD
2058272031	CONNTAK50 - 03CKT RCPT HSG TANG - POL A	2400	0477991067	0477995003		4	0477994085	1	0477995046	2	0477994086	2	TBD
2058272032	CONNTAK50 - 03CKT RCPT HSG TANG - POL B	2400	0477991067	0477995003		4	0477994085	1	0477995046	2	0477994086	2	TBD
2058272033	CONNTAK50 - 03CKT RCPT HSG TANG - POL C	2400	0477991067	0477995003		4	0477994085	1	0477995046	2	0477994086	2	TBD
2058272034	CONNTAK50 - 03CKT RCPT HSG TANG - POL D	2400	0477991067	0477995003		4	0477994085	1	0477995046	2	0477994086	2	TBD
2058272041	CONNTAK50 - 04CKT RCPT HSG TANG - POL A	2000	0477991067	0477995003		4	0477994085	1	0477995046	2	0477994086	2	TBD
2058272042	CONNTAK50 - 04CKT RCPT HSG TANG - POL B	2000	0477991067	0477995003		4	0477994085	1	0477995046	2	0477994086	2	TBD
2058272043	CONNTAK50 - 04CKT RCPT HSG TANG - POL C	2000	0477991067	0477995003		4	0477994085	1	0477995046	2	0477994086	2	TBD
2058272044	CONNTAK50 - 04CKT RCPT HSG TANG - POL D	2000	0477991067	0477995003		4	0477994085	1	0477995046	2	0477994086	2	TBD
2058272051	CONNTAK50 - 05CKT RCPT HSG TANG - POL A	1600	0477991067	0477995003		4	0477994085	1	0477995046	2	0477994086	2	TBD
2058272052	CONNTAK50 - 05CKT RCPT HSG TANG - POL B	1600	0477991067	0477995003		4	0477994085	1	0477995046	2	0477994086	2	TBD
2058272053	CONNTAK50 - 05CKT RCPT HSG TANG - POL C	1600	0477991067	0477995003		4	0477994085	1	0477995046	2	0477994086	2	TBD
2058272054	CONNTAK50 - 05CKT RCPT HSG TANG - POL D	1600	0477991067	0477995003		4	0477994085	1	0477995046	2	0477994086	2	TBD
2058272061	CONNTAK50 - 06CKT RCPT HSG TANG - POL A	1400	0477991067	0477995003		4	0477994085	1	0477995046	2	0477994086	2	TBD
2058272062	CONNTAK50 - 06CKT RCPT HSG TANG - POL B	1400	0477991067	0477995003		4	0477994085	1	0477995046	2	0477994086	2	TBD
2058272063	CONNTAK50 - 06CKT RCPT HSG TANG - POL C	1400	0477991067	0477995003		4	0477994085	1	0477995046	2	0477994086	2	TBD
2058272064	CONNTAK50 - 06CKT RCPT HSG TANG - POL D	1400	0477991067	0477995003		4	0477994085	1	0477995046	2	0477994086	2	TBD
349591340-5	34 WAY, 3 ROW RECEPTACLE	280	0477991067	0477995003	477995826	4	0477994085	1	0477995046	2	0477994086	2	TBD
349591380-5	MINI50 CONN RCPT 38CKT WITH CPA	280	0477991067	0477995003	477995826	4	0477994085	1	0477995046	2	0477994086	2	TBD

E

E

D

D

C


C

B

B

A

A

FUNCTIONAL SYMBOLS FA = 0 FB = 0 FC = 0	THIS DRAWING CONTAINS INFORMATION THAT IS PROPRIETARY TO MOLEX ELECTRONIC TECHNOLOGIES, LLC AND SHOULD NOT BE USED WITHOUT WRITTEN PERMISSION		CURRENT REV DESC: UPDATED THE TABLE		 <p>BULK PACK FOR MINI50 1, 2, & 3-ROW RCPT AND VARIOUS OTHER COMPONENTS</p>					
	DIMENSION UNITS	SCALE	STATUS: Production							
DIVISIONAL SYMBOLS	mm	1:1	DRWN: Sachin Gunagi		2022-08-10	DOCUMENT NUMBER PK-31301-538	DOC TYPE PDD	DOC PART 001	REVISION H1	
	GENERAL TOLERANCES (UNLESS SPECIFIED)		CHK'D: Ganesh Rao B		2023-01-12					
	ANGULAR TOL ± 1°		APPR: Gurunandan GA		2023-01-12	MATERIAL NUMBER		CUSTOMER		SHEET NUMBER
	4 PLACES ±	3 PLACES ±	DRAFT WHERE APPLICABLE MUST REMAIN WITHIN DIMENSIONS		THIRD ANGLE PROJECTION	DRAWING	SERIES	SEE TABLE	GENERAL MARKET	

FOR CHENGDU PLANT

PRODUCT MAT'L #	PRODUCT DESCRIPTION	SPQ	CARTON MAT'L #	TOTE MAT'L #	BAG MAT'L #		BAGS/CARTON	PARTITION MAT'L #	PARTITIONS/CARTON	BUBBLE MAT'L #	BUBBLE/CARTON	PAD MAT'L #	PADS/CARTON	GROSS WEIGHT
					Manual	Automatic								
335361605	MX150 SEALED, 16 WAY HYBRID RCPT, 2 ROW GROMMET CAP *SEE NOTE 7*	3000	477991017		967130002		1	477994053	2	477995046	2	477994044	1	TBD

H1	UPDATED THE TABLE IN SHEET 2 & ADDED NEW TBALE IN SHEET 4	20220810
H	1. Add new bag(477995826) for automatic packaging 2. Delete note7 "INDIVIDUAL CARTONS MAY BE SHIPPED WITHOUT PALLETIZATION WHEN ORDERS ARE LOW IN VOLUME."	20210827
F	OBSOLETE PART NUMBERS 349590380 349590381 349590382 349590387 349590388	20201103
E2	UPDATE THE SPQ OF 2075840121/2/3,2075842121/2/3,2075840161/2/3,2075842161/2/3, 2058272021/2/3,2058272051/2/3,2058272061/2/3	20190626
E3	UPDATE THE SPQ OF 2058272031/2/3,2058272041/2/3	20190712
E4	ADD NEW PN 2133560340--5, 2133560380--5	20200727
	UPDATE THE NOTE ABOUT AND SEAL BAG FOR 20582720**	
E5	1. ADD NEW PN 349591340-5, 348591380-5; 2. THE BAG OF FOLLOWING PRODUCTS ARE CHANGE TO 477995814: 34824224*,206523212*,206523224*,206523216*,206523220*,207584212*,207584216*	20200915
E6	UPDATE PART NUMBER FROM 348591380-5 TO 349591380-5	20210719

FUNCTIONAL SYMBOLS	THIS DRAWING CONTAINS INFORMATION THAT IS PROPRIETARY TO MOLEX ELECTRONIC TECHNOLOGIES, LLC AND SHOULD NOT BE USED WITHOUT WRITTEN PERMISSION	
$\nabla_A = 0$	DIMENSION UNITS: mm	SCALE: 1:1
$\nabla_E = 0$	GENERAL TOLERANCES (UNLESS SPECIFIED)	
$\nabla_V = 0$	ANGULAR TOL \pm 1°	
DIVISIONAL SYMBOLS	4 PLACES	\pm
	3 PLACES	\pm
	2 PLACES	\pm 0.130
	1 PLACE	\pm 0.25
	0 PLACES	\pm
DRAFT WHERE APPLICABLE MUST REMAIN WITHIN DIMENSIONS		THIRD ANGLE PROJECTION
STATUS: Production		2022-08-10
DRWN: Sachin Gunagi		2023-01-12
CHK'D: Ganesh Rao B		2023-01-12
APPR: Gurunandan GA		
DRAWING: A3-SIZE		SERIES: 31300
MATERIAL NUMBER: SEE TABLE		CUSTOMER: GENERAL MARKET
DOCUMENT NUMBER: PK-31301-538		DOC TYPE: PDD
DOC PART: 001		REVISION: H1
SHEET NUMBER: 4 OF 4		