



AMP | Superseal Pro

TE Internal #: 2324808-3

Housing for Female Terminals, Wire-to-Wire, 2 Position, .197 in [5 mm] Centerline, Sealable, Black, Wire & Cable, Signal, Superseal Pro

[View on TE.com >](#)

Connectors > Automotive Connectors > Automotive Housings



Connector System: **Wire-to-Wire**

Number of Positions: **2**

Connector & Housing Type: **Housing for Female Terminals**

Centerline (Pitch): **5 mm [ .197 in ]**

Sealable: **Yes**

**Features**

**Product Type Features**

Mixed & Hybrid Connector	No
Connector Shape	Rectangular
Connector System	Wire-to-Wire
Connector & Housing Type	Housing for Female Terminals
Sealable	Yes
Connector & Contact Terminates To	Wire & Cable
Primary Locking Feature	Clean Body

**Configuration Features**

Number of Positions	2
Number of Rows	1

**Electrical Characteristics**

Operating Voltage	12 VDC
Nominal Voltage Architecture	12 V

**Body Features**



Cable Exit Angle	180°
Primary Product Color	Black
Connector & Keying Code	C

#### Contact Features

Contact Size	1.2mm
Contact Type	Receptacle
Mating Tab Width	1.2 mm[.047 in]
Contact Current Rating (Max)	7.5 A, 14 A

#### Mechanical Attachment

Terminal Position Assurance	Yes
Mating Alignment Type	Keyed
Mating Alignment	With
Connector Mounting Type	Cable Mount (Free-Hanging)

#### Housing Features

Housing Material	PBT GF
Centerline (Pitch)	5 mm[.197 in]

#### Dimensions

Connector Height	15.77 mm[.621 in]
Product Width	16.48 mm[.649 in]
Product Length	33.17 mm[1.306 in]

#### Usage Conditions

Operating Temperature (Max)	125 °C[257 °F]
Operating Temperature Range	-40 – 125 °C[-40 – 257 °F]

#### Operation/Application

Circuit Application	Signal
---------------------	--------

#### Industry Standards

Degree of Protection	IP67, IP69K
Compatible With Agency/Standards Products	SAE/USCAR-2
UL Flammability Rating	UL 94V-0

#### Packaging Features

Packaging Quantity	1200
--------------------	------



Packaging Method Box

**Other**

Serviceable Yes

Connector Position Assurance Capable No

**Product Compliance**

[For compliance documentation, visit the product page on TE.com>](#)

EU RoHS Directive 2011/65/EU Compliant

EU ELV Directive 2000/53/EC Compliant

China RoHS 2 Directive MIIT Order No 32, 2016 No Restricted Materials Above Threshold

EU REACH Regulation (EC) No. 1907/2006 Current ECHA Candidate List: JUNE 2023 (235)  
Candidate List Declared Against: JUNE 2023 (235)  
Does not contain REACH SVHC

Halogen Content Not Low Halogen - contains Br or Cl > 900 ppm.

Solder Process Capability Not reviewed for solder process capability

**Product Compliance Disclaimer**

This information is provided based on reasonable inquiry of our suppliers and represents our current actual knowledge based on the information they provided. This information is subject to change. The part numbers that TE has identified as EU RoHS compliant have a maximum concentration of 0.1% by weight in homogenous materials for lead, hexavalent chromium, mercury, PBB, PBDE, DBP, BBP, DEHP, DIBP, and 0.01% for cadmium, or qualify for an exemption to these limits as defined in the Annexes of Directive 2011/65/EU (RoHS2). Finished electrical and electronic equipment products will be CE marked as required by Directive 2011/65/EU. Components may not be CE marked. Additionally, the part numbers that TE has identified as EU ELV compliant have a maximum concentration of 0.1% by weight in homogenous materials for lead, hexavalent chromium, and mercury, and 0.01% for cadmium, or qualify for an exemption to these limits as defined in the Annexes of Directive 2000/53/EC (ELV). Regarding the REACH Regulation, the information TE provides on SVHC in articles for this part number is based on the latest European Chemicals Agency (ECHA) 'Guidance on requirements for substances in articles' posted at this URL: <https://echa.europa.eu/guidance-documents/guidance-on-reach>

**Compatible Parts**

TE Part # CAT-D487-B128  
DEUTSCH DT Backshells

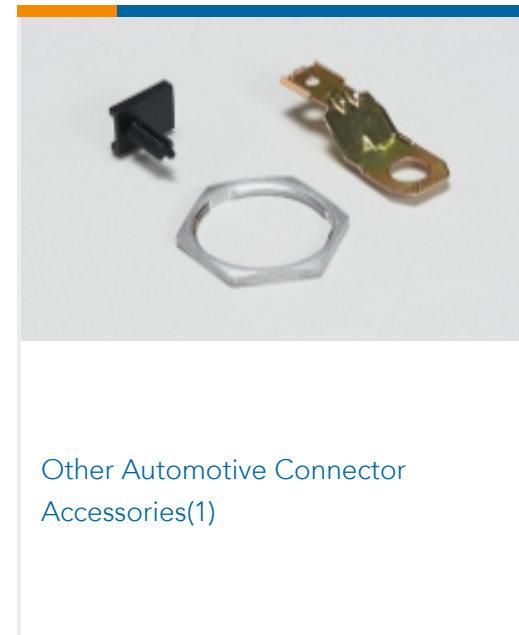
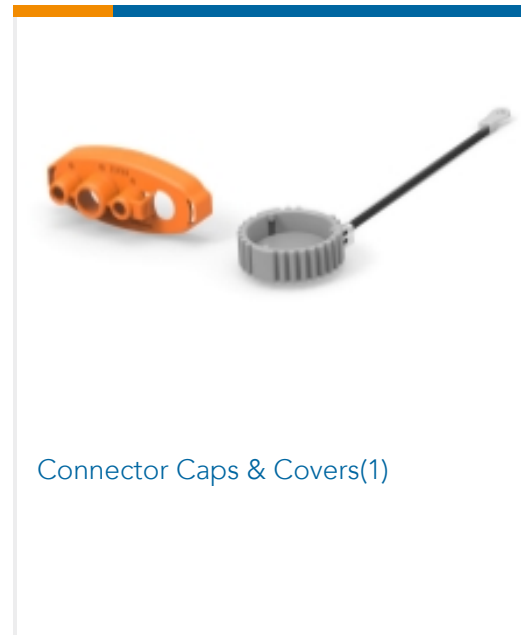
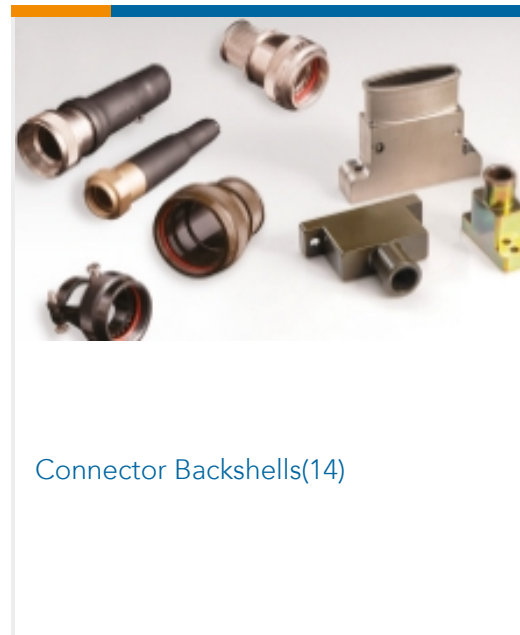
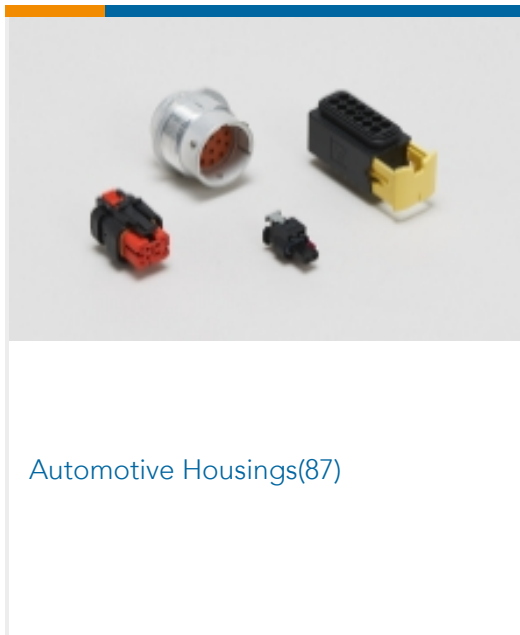
TE Part # 963142-1  
MOS SINGLE-WIRE SEAL FOR 4MM

TE Part # 963143-1  
MOS BLINDSTOPFEN

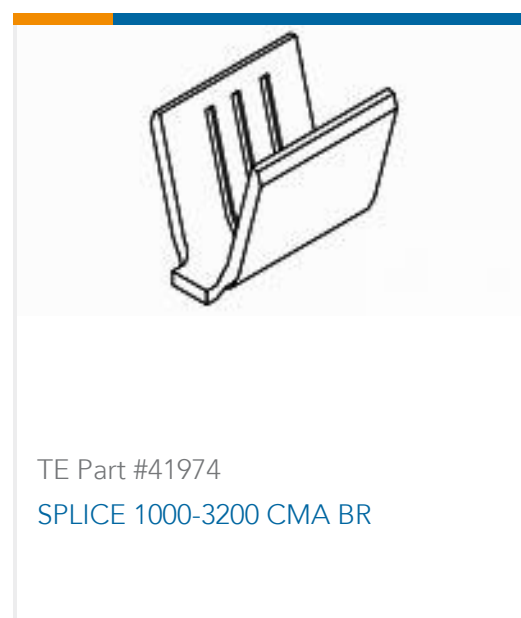
TE Part # 963142-2  
SWS,MQS,CVTY DIA,4.0,GRY



Also in the Series | Superseal Pro



Customers Also Bought





## Documents

### Product Drawings

[2POS,MCON 1.2,REC HSG ASSY,SLD,COD C](#)

English

[2POS,MCON 1.2,REC HSG ASSY,SLD,COD C](#)

English

---

### CAD Files

[3D PDF](#)

3D

Customer View Model

[ENG\\_CVM\\_CVM\\_2324808-3\\_C.2d\\_dxf.zip](#)

English

Customer View Model

[ENG\\_CVM\\_CVM\\_2324808-3\\_C.3d\\_igs.zip](#)

English

Customer View Model

[ENG\\_CVM\\_CVM\\_2324808-3\\_C.3d\\_stp.zip](#)

English

By downloading the CAD file I accept and agree to the [Terms and Conditions](#) of use.

---

### Product Specifications

[Superseal Pro Connector series-Applications](#)

English

[Product Specification](#)

English

[Product Specification](#)

English