



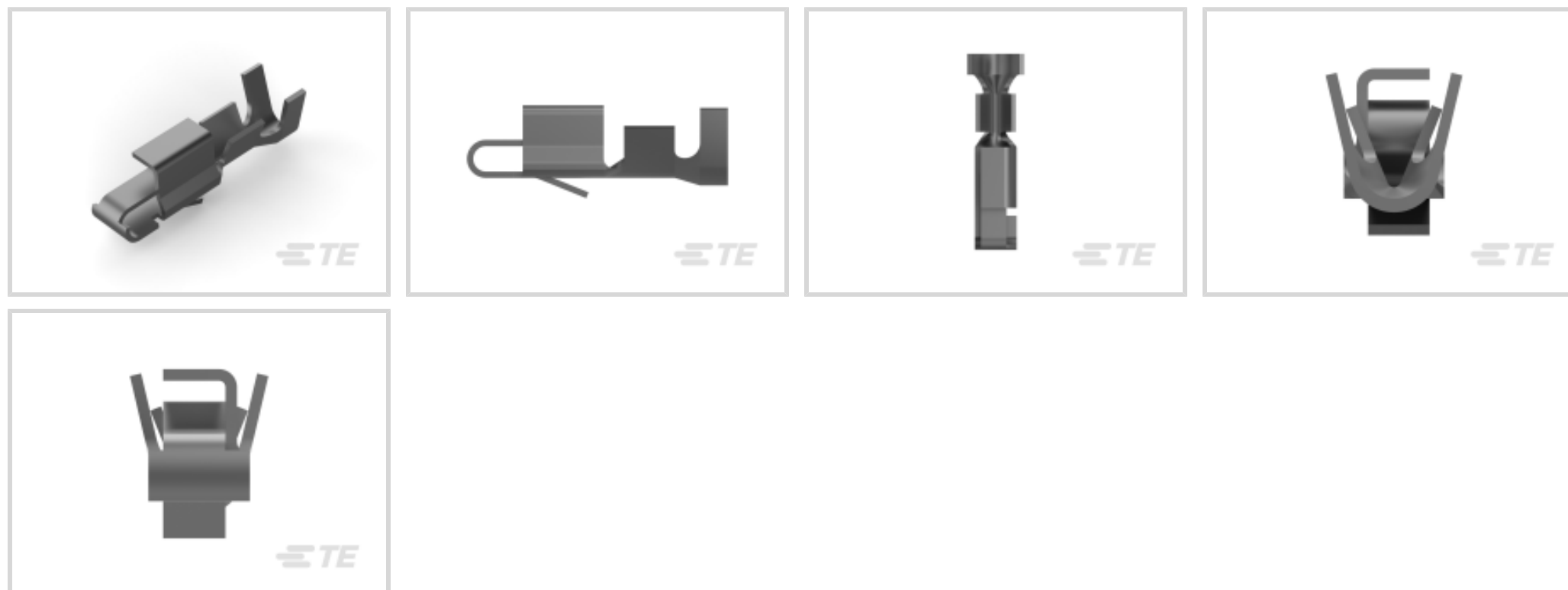
SL-156

TE Internal #: 3-647409-1

Socket Contact, Tin, 250 VAC, Locking Lance Contact Retention, Discrete Wire, 24 – 18 AWG Wire Size, .2 – .9 mm² Wire Size, Crimp, SL-156

[View on TE.com >](#)

Connectors > Contacts > Connector Contacts > Wire-to-Board Connector Contacts: socket, wire size 30-16 AWG, SL 156



Contact Type: **Socket**

Contact Mating Area Plating Material: **Tin**

Wire Contact Termination Area Plating Material: **Tin**

Operating Voltage: **250 VAC**

Contact Retention Within Housing: **With**

[All Wire-to-Board Connector Contacts: socket, wire size 30-16 AWG, SL 156 \(23\)](#)

Features

Configuration Features

Compatible With Wire & Cable Type	Discrete Wire
-----------------------------------	---------------

Electrical Characteristics

Operating Voltage	250 VAC
-------------------	---------

Contact Features

Mating Square Post Dimension	1.14 mm[.045 in]
Wire Contact Termination Area Plating Material Finish	Matte
Contact Mating Area Plating Material Finish	Matte
Contact Underplating Material	Nickel
Contact Type	Socket
Contact Mating Area Plating Material	Tin
Wire Contact Termination Area Plating Material	Tin
Contact Retention Within Housing	With



Contact Base Material	Phosphor Bronze
-----------------------	-----------------

Contact Current Rating (Max)	10 A
------------------------------	------

Termination Features

Termination Method to Wire & Cable	Crimp
------------------------------------	-------

Product Terminates To	Wire & Cable
-----------------------	--------------

Mechanical Attachment

Contact Retention Type Within Housing	Locking Lance
---------------------------------------	---------------

Dimensions

Compatible Insulation Diameter Range	1.78 – 2.84 mm [.07 – .112 in]
--------------------------------------	--------------------------------

Wire Size	.2 – .9 mm ²
-----------	-------------------------

Usage Conditions

Operating Temperature Range	-55 – 105 °C [-67 – 221 °F]
-----------------------------	-----------------------------

Operation/Application

Circuit Application	Power
---------------------	-------

Packaging Features

Packaging Quantity	1000
--------------------	------

Packaging Method	Bag & Box
------------------	-----------

Product Compliance

[For compliance documentation, visit the product page on TE.com>](#)

EU RoHS Directive 2011/65/EU	Compliant
------------------------------	-----------

EU ELV Directive 2000/53/EC	Compliant
-----------------------------	-----------

China RoHS 2 Directive MIIT Order No 32, 2016	No Restricted Materials Above Threshold
-----------------------------------------------	-----------------------------------------

EU REACH Regulation (EC) No. 1907/2006	Current ECHA Candidate List: JUNE 2023 (235) Candidate List Declared Against: JUNE 2023 (235) Does not contain REACH SVHC
----------------------------------------	---------------------------------------------------------------------------------------------------------------------------------

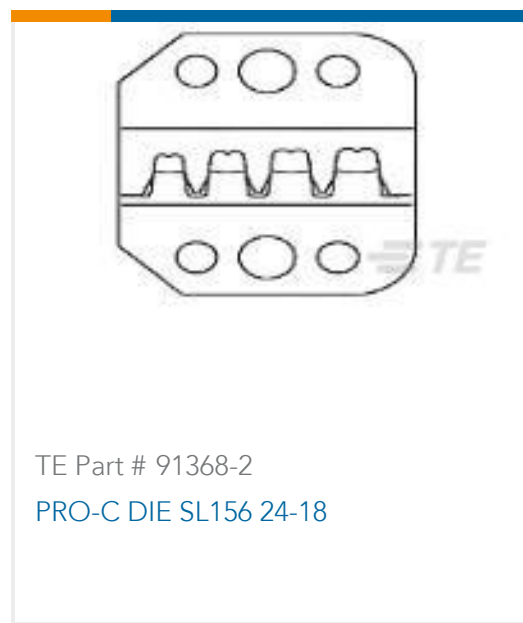
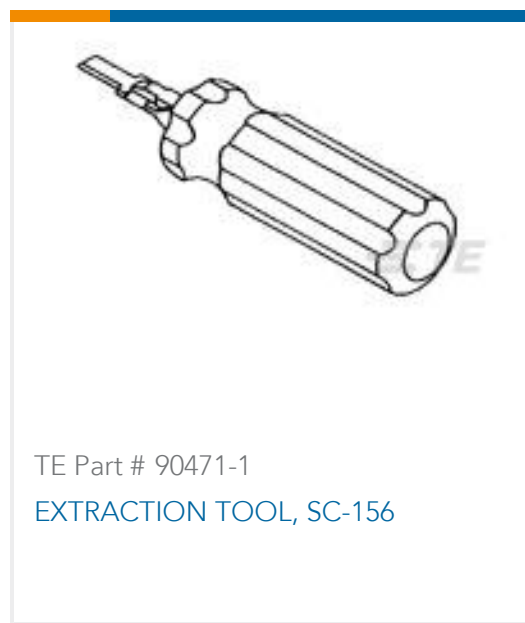
Halogen Content	Low Halogen - Br, Cl, F, I < 900 ppm per homogenous material. Also BFR/CFR/PVC Free
-----------------	-------------------------------------------------------------------------------------

Solder Process Capability	Not applicable for solder process capability
---------------------------	----------------------------------------------

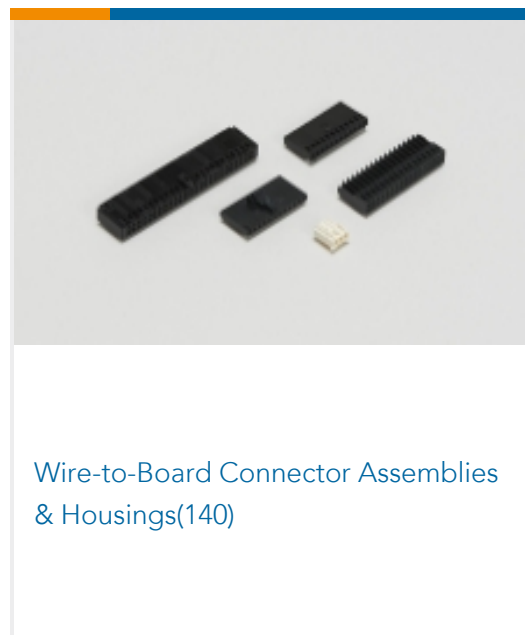
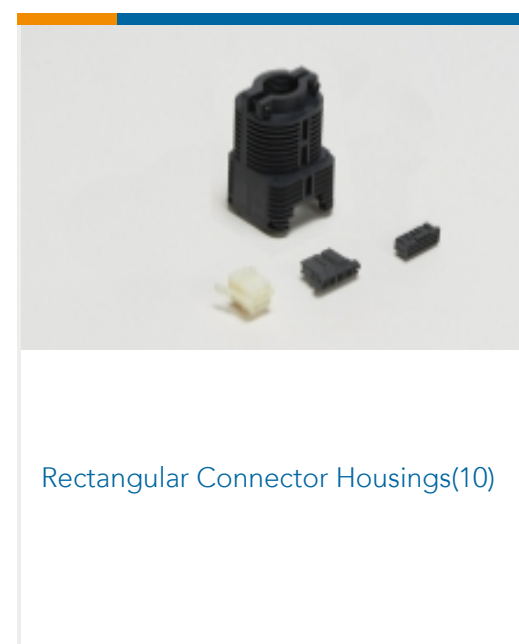
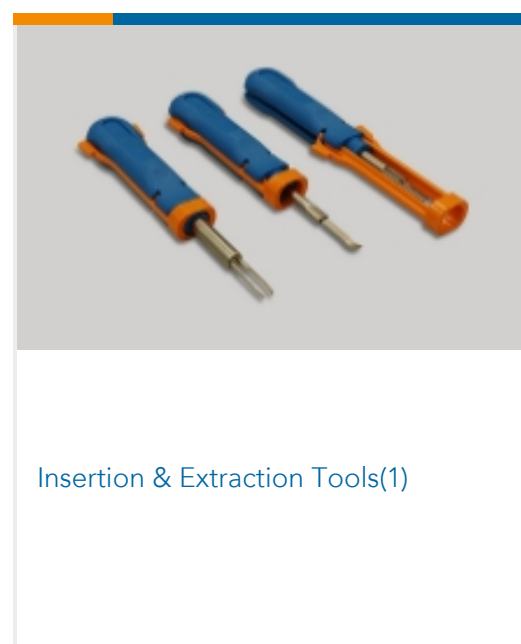
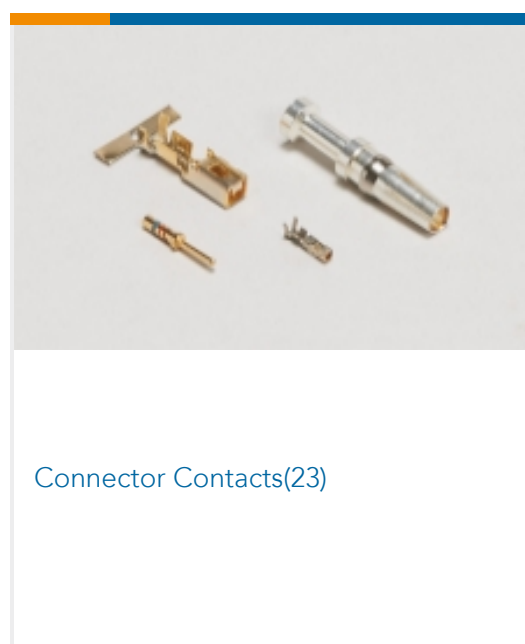
Product Compliance Disclaimer

This information is provided based on reasonable inquiry of our suppliers and represents our current actual knowledge based on the information they provided. This information is subject to change. The part numbers that TE has identified as EU RoHS compliant have a maximum concentration of 0.1% by weight in homogenous materials for lead, hexavalent chromium, mercury, PBB, PBDE, DBP, BBP, DEHP, DIBP, and 0.01% for cadmium, or qualify for an exemption to these limits as defined in the Annexes of Directive 2011/65/EU (RoHS2). Finished electrical and electronic equipment products will be CE marked as required by Directive 2011/65/EU. Components may not be CE marked. Additionally, the part numbers that TE has identified as EU ELV compliant have a maximum concentration of 0.1% by weight in homogenous materials for lead, hexavalent chromium, and mercury, and 0.01% for cadmium, or qualify for an exemption to these limits as defined in the Annexes of Directive 2000/53/EC (ELV). Regarding the REACH Regulation, the information TE provides on SVHC in articles for this part number is based on the latest European Chemicals Agency (ECHA) 'Guidance on requirements for substances in articles' posted at this URL: <https://echa.europa.eu/guidance-documents/guidance-on-reach>

Compatible Parts



Also in the Series | SL-156



Customers Also Bought



TE Part #647401-5
Receptacle Housing: Wire-to-Board,
with Mating Alignment, SL156



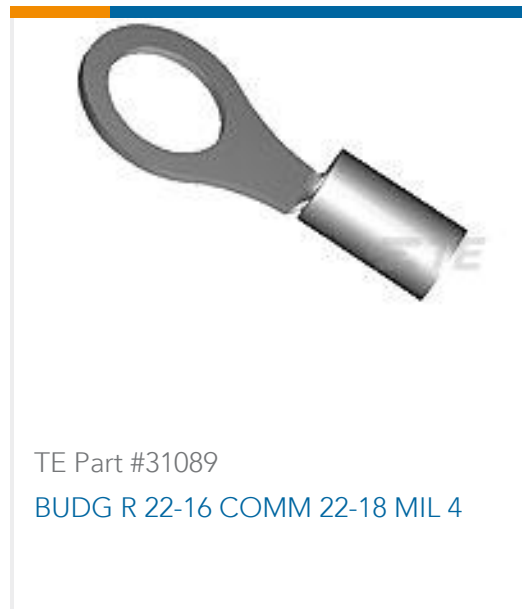
TE Part #1971778-6
PTL TPA HIGH TEMP 2 x 6 BLACK



TE Part #1-66601-2
Pin and Socket Contacts, Type III, LP,
High Current



TE Part #322454
TERMINAL,SOLIS R 12-10 8



TE Part #31089
BUDG R 22-16 COMM 22-18 MIL 4



TE Part #1-1971775-6
PTL 2X6 CAP PANEL MT STD TEMP
KEY A NAT



TE Part #1-1971776-6
PTL 2X6 PLUG HSG STD TEMP KEY A
NAT



TE Part #2-647123-8
08P MTA156 SHRD HDR ASSY SQ SN

Documents

Product Drawings

[SL156 HOODED CONT, LID,LP LF](#)

English

CAD Files

Customer View Model

[ENG_CVM_3-647409-1_A.3d_igs.zip](#)

English

Customer View Model

[ENG_CVM_3-647409-1_A.3d_stp.zip](#)

English

Customer View Model

[ENG_CVM_3-647409-1_A.2d_dxf.zip](#)

English

[3D PDF](#)

English

[3D PDF](#)

3D

Customer View Model

[ENG_CVM_CVM_3-647409-1_B.2d_dxf.zip](#)

English

Customer View Model

[ENG_CVM_CVM_3-647409-1_B.3d_igs.zip](#)

English

Customer View Model

[ENG_CVM_CVM_3-647409-1_B.3d_stp.zip](#)

English

3-647409-1

Socket Contact, Tin, 250 VAC, Locking Lance Contact Retention, Discrete Wire, 24 – 18 AWG Wire Size, .2 – .9 mm² Wire Size, Crimp, SL-156



By downloading the CAD file I accept and agree to the [Terms and Conditions](#) of use.

[Product Specifications](#)

[Application Specification](#)

English