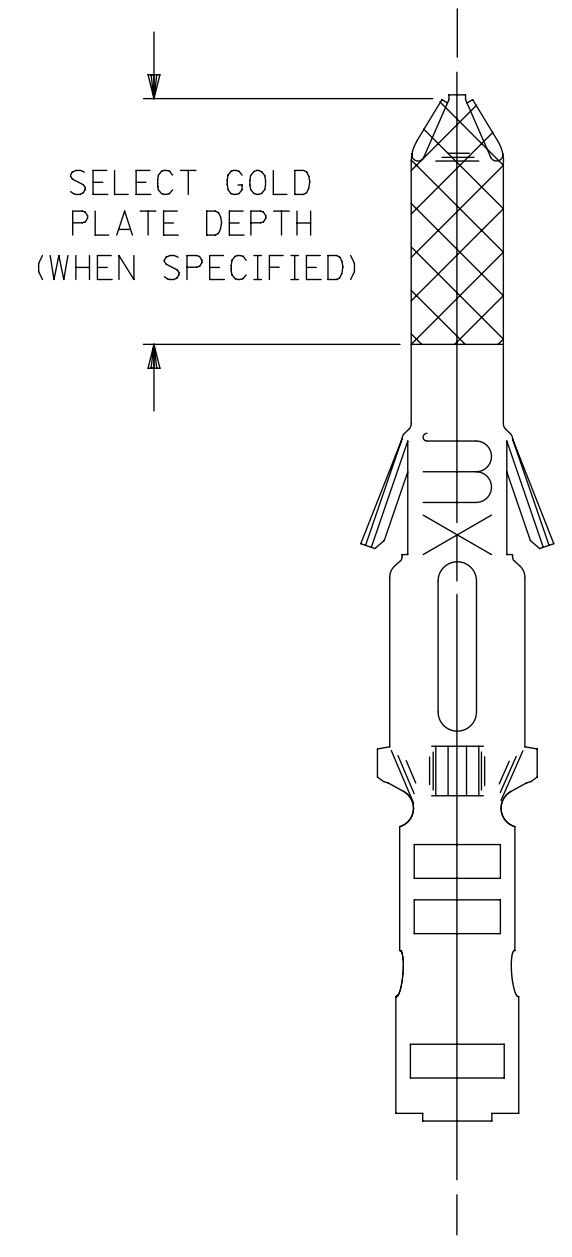
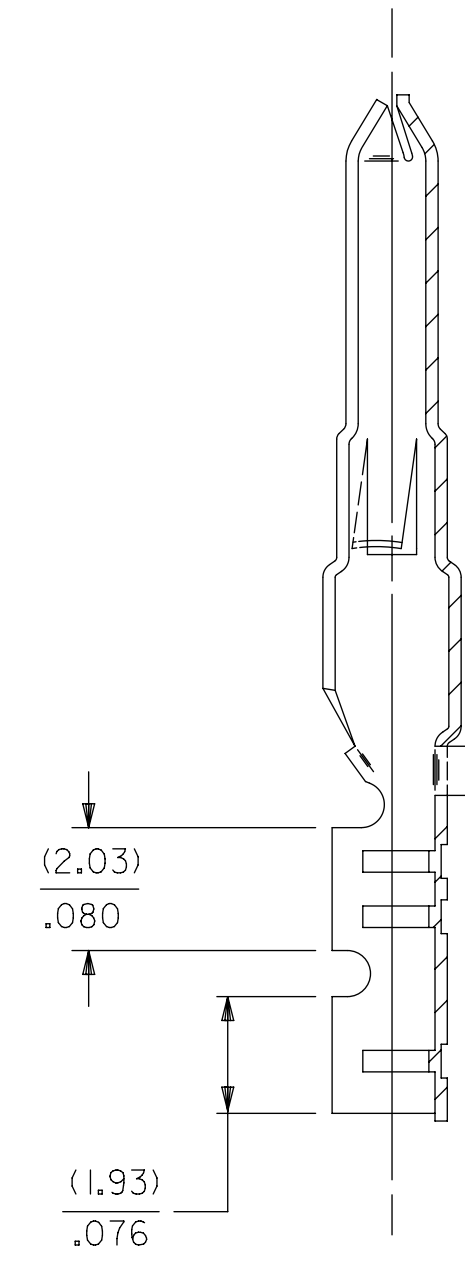
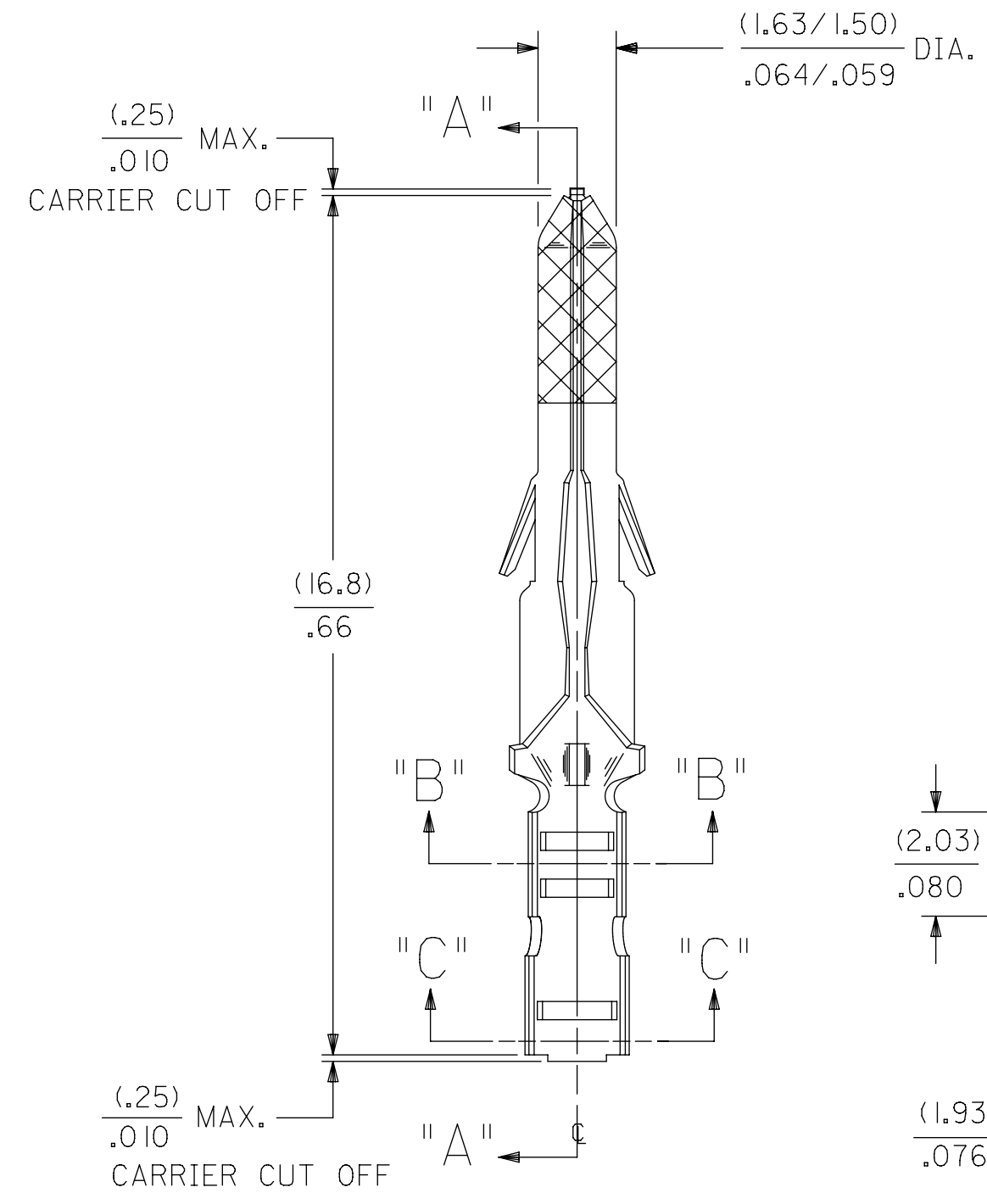
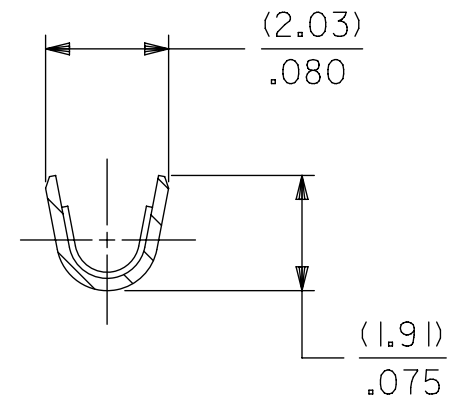
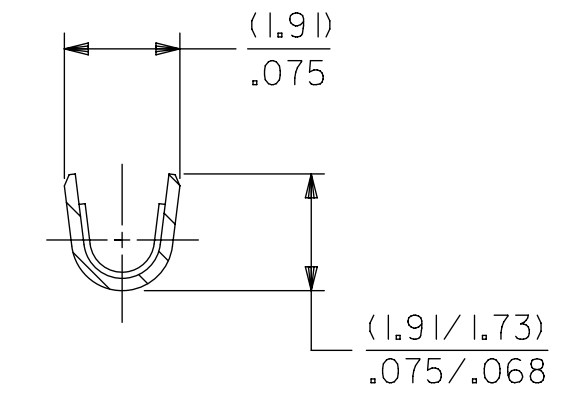
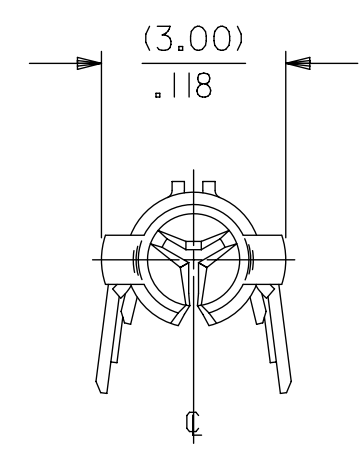
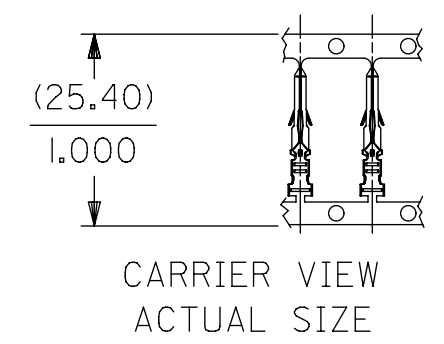


PART NO.	ENG. NO.
02-06-2131	1854-(90 I)
02-06-2132	1854-(90 I)L
02-06-6130	1854-(550)
02-06-6135	1854-(550)L



LEGEND

1854-(\*\*\*\*)\*  
 P=PREPLATE      FORM  
 BLANK=POSTPLATE      BLANK=CHAIN  
 FINISH CODE      L=LOOSE

- NOTES:
- MATERIAL: BRASS
  - FINISHES:
    - 901 HOT TIN DIP (.00051)/.000020 MIN.
    - 228 SELECT GOLD PLATE (.00075)/.000030 MIN. IN CONTACT AREA, SELECT TIN (.00250)/.000100 MIN. IN CRIMP AREA OVER (.00125)/.000050 MIN. NICKEL OVERALL
    - 561 SELECT GOLD PLATE (.00076)/.000030 MIN. IN CONTACT AREA, (.00127)/.000050 MIN. NICKEL OVERALL.
    - 550 SELECT GOLD PLATE (.00038)/.000015 MIN. IN CONTACT AREA, OVER (.00076)/.000030 MIN. NICKEL OVERALL WITH (.00025)/.000010 MAX. GOLD FLASH OVERALL.
  - PRODUCT SPECIFICATION: PS-02-06
  - PACKAGE INFORMATION:
    - LOOSE TERMINALS: PK-1190-003
    - CHAIN TERMINALS: 18540000-PK
  - TERMINAL FOR USE WITH (1.57)/.062 DIA. SERIES HOUSINGS AND WILL ACCEPT 24 THRU 30 AWG WIRE WITH (1.02/2.29)/.040/.090 INSULATION DIAMETER.

THIS DRAWING CONTAINS INFORMATION THAT IS PROPRIETARY TO MOLEX ELECTRONIC TECHNOLOGIES, LLC AND SHOULD NOT BE USED WITHOUT WRITTEN PERMISSION											
DIMENSION UNITS <b>MM/IN</b>		SCALE <b>8:1</b>		CURRENT REV DESC: OBSOLETE PART NUMBER AS PER PCN#509988				<b>molex</b>		CRIMP TERMINAL, MALE .062 DIA. FOR 24-30 AWG WIRE	
GENERAL TOLERANCES (UNLESS SPECIFIED)				EC NO: 704776 DRWN: SUGEEB 2022/03/28 CHK'D: GGA 2022/05/24 APPR: GGA 2022/05/24							
4 PLACES ±		MM		INCH		INITIAL REVISION:				DOCUMENT NUMBER	
3 PLACES ±		± 0.01				DRWN: RFC_PLMIMP 2018/12/01				SD-1854-X	
2 PLACES ±		0.25 ± 0.014				APPR: JCOMERCI 2001/10/22				PSD 001 AR2	
1 PLACE ±		0.35 ±				DRAFT WHERE APPLICABLE MUST REMAIN WITHIN DIMENSIONS				MATERIAL NUMBER	
0 PLACES ±						THIRD ANGLE PROJECTION		DRAWING		CUSTOMER	
ANGULAR TOL ± 0.5°						C-SIZE		SERIES		SHEET NUMBER	
						1854		SEE TABLE		GENERAL MARKET 1 OF 1	

DOCUMENT STATUS	P1	RELEASE DATE	2022/05/24	10:34:35
-----------------	----	--------------	------------	----------