

**NEW**



Board-to Cable Connector For LED Lighting Power Supply CONNECTOR

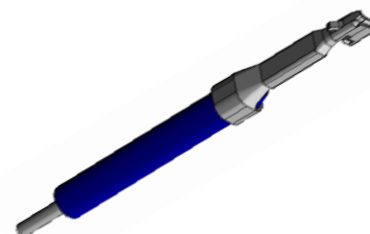
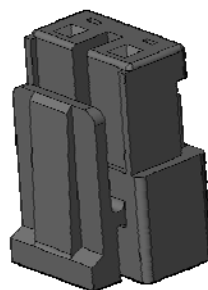
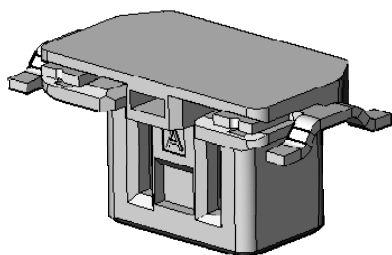
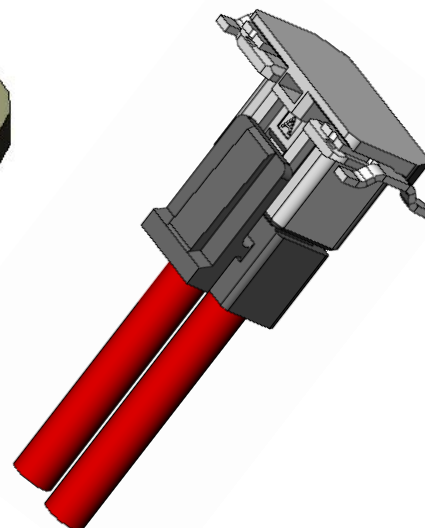
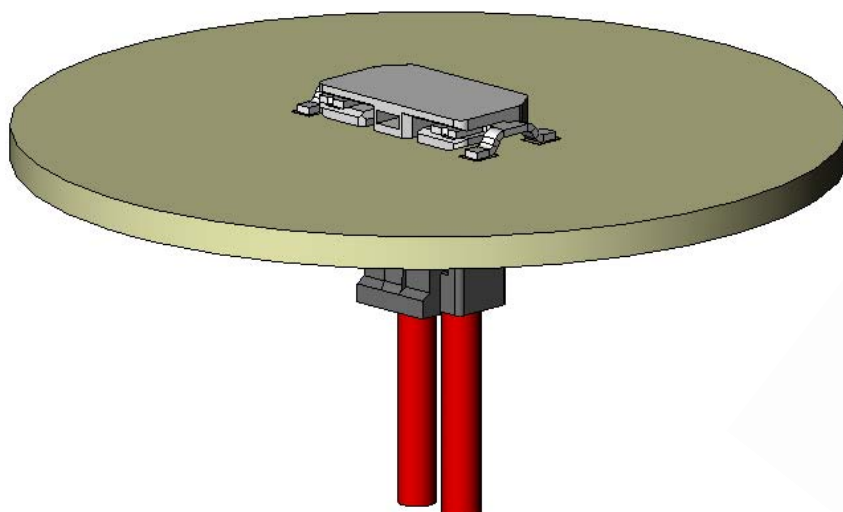
## ES3 Series (WF2 Type)

(cULus Certified Product)

MB-0227-3

July 2012

**RoHS Compliant**



**Receptacle (ES3B002WF2)**

**Plug (ES3S002SZA)**


**Contact (IL-Z-C1-A)**

The ES3 Series is a 2-position board-to-cable connector that is ideal for LED lighting devices like LED light bulbs and downlights.

This connector enables direct connection of the converter board and the LED mounting board with a cable.

The pin connector for the LED mounting board is available in embossed reel packaging for SMT automated mounting. It allows reflow solder mounting to the LED mounting board to occur at the same time that other LED chips and SMT electrical parts are mounted.

## Features

- Low-profile design (mounting height: 1.65mm) to prevent interference with emission of LED light.
- Insulator for pin connector uses white LCP with superior heat and light resistance ideal for the mounted environment.
- Board-to-cable connection of LED mounting board and converter board allows for greater freedom in the layout of parts.
- Mechanical lock strongly resists vibration and pulling to prevent un-mating and incomplete mating.
- Uses the IL-Z Series socket contact, which has a long sales history.
- cULus Certification: File No. E67741 

## General Specifications

- |  |  |
|--|--|
| ■No. of Contacts: 2 pos.                                     | ■Rated Current: AC, DC 2A                              |
| ■Contact Resistance: 30m $\Omega$ max. (initial)             | ■Rated Voltage: AC, DC 200V                            |
| ■Dielectric Withstanding Voltage:<br>AC2000Vr.m.s per minute | ■Insulation Resistance: 10M $\Omega$ min. (after test) |
| ■Mating Cycles: 20 times                                     | ■Operating Temperature:<br>-40 Deg. C to +105 Deg. C   |
| ■Connector Insertion Force: 15N max.                         | ■Applicable Wire: 22AWG to 26AWG                       |

## Materials and Finishes

### **ES3B002WF2**

Component	Material and Finish
Insulator	White LCP
Contact	Copper alloy / Sn plating

### **ES3S002SZA**

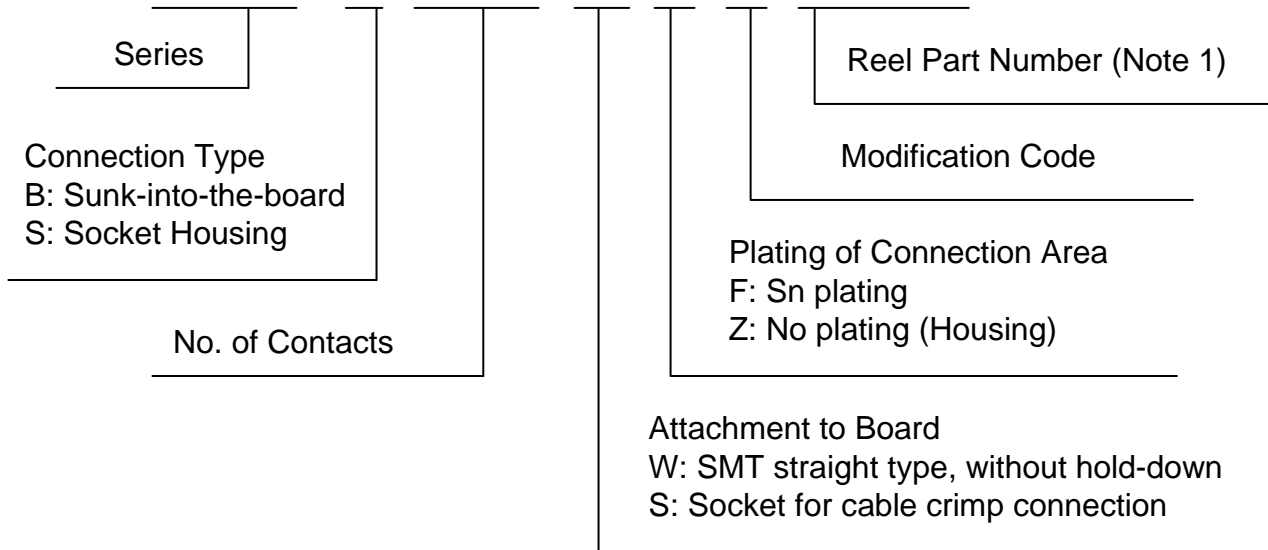
Component	Material and Finish
Socket	66 Nylon

### **IL-Z-C1-A-7000**

Component	Material and Finish
Socket Contact	Phosphor bronze / Sn plating

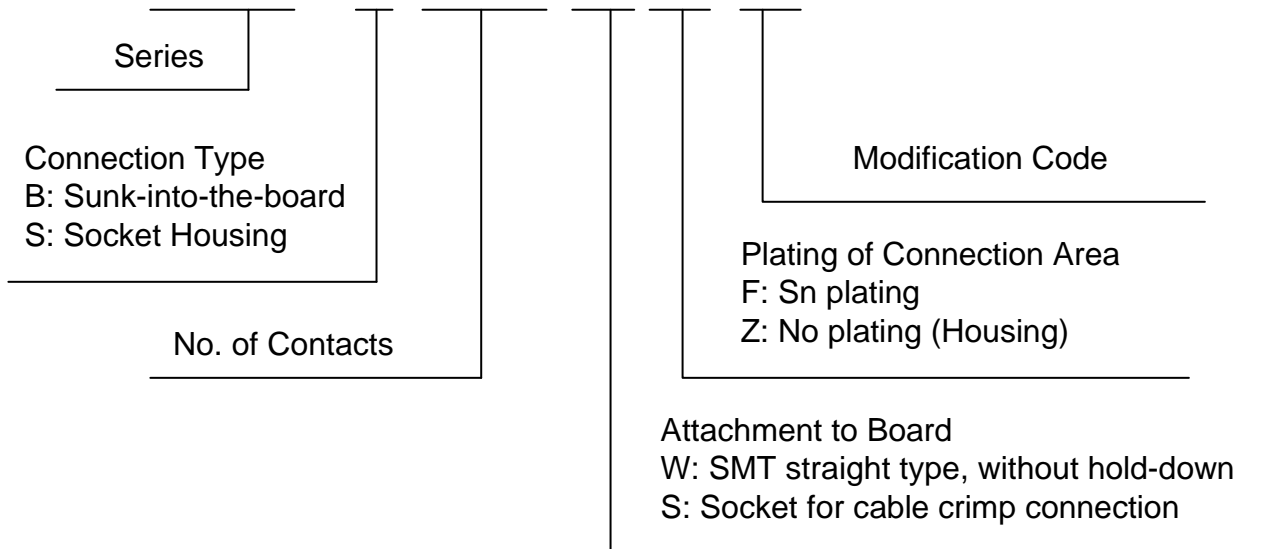
Ordering Information

**ES3 B 002 W F 2 R\*\*\*\***



Note1) An embossed tape reel contains 1,000 pieces.

**ES3 S 002 S Z A**



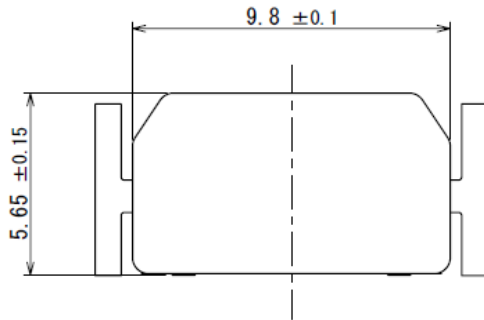
Part Number List

Type	Part Number	Drawing No.
Pin Connector	ES3B002WF2	SJ111730
Socket Connector	ES3S002SZA	SJ111733
Contact	IL-Z-C1-A-7000	SJ026615

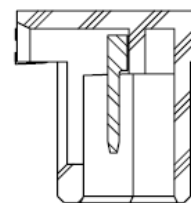
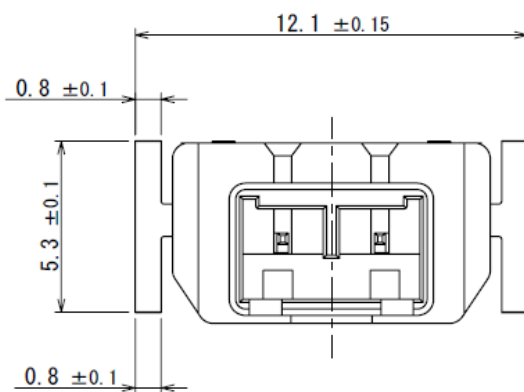
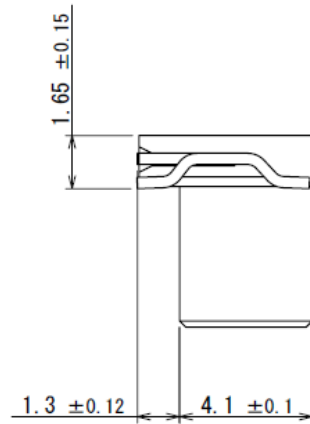
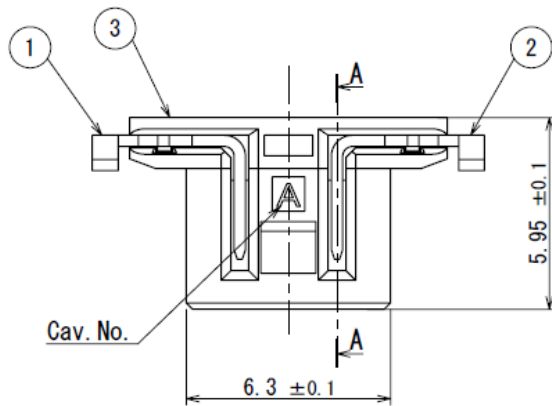
Product Drawing

Part Number	ES3B002WF2
Drawing No.	SJ111730

Unit: mm



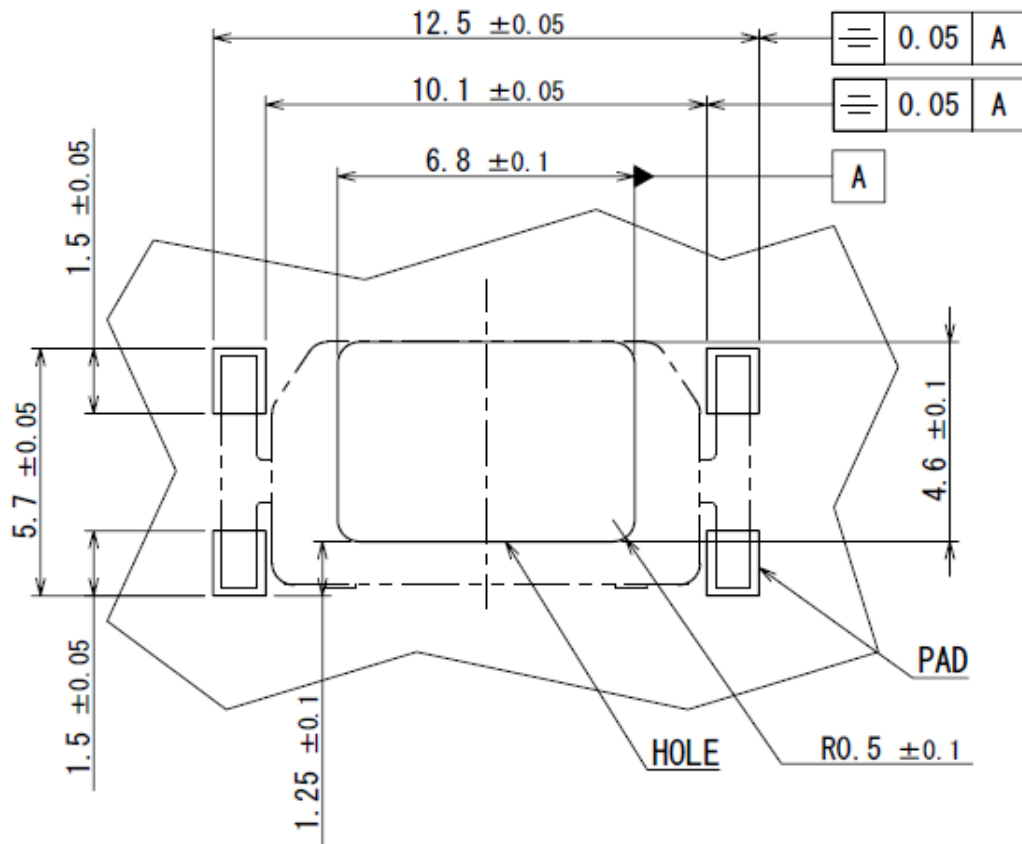
LISTED BY UL/cUL



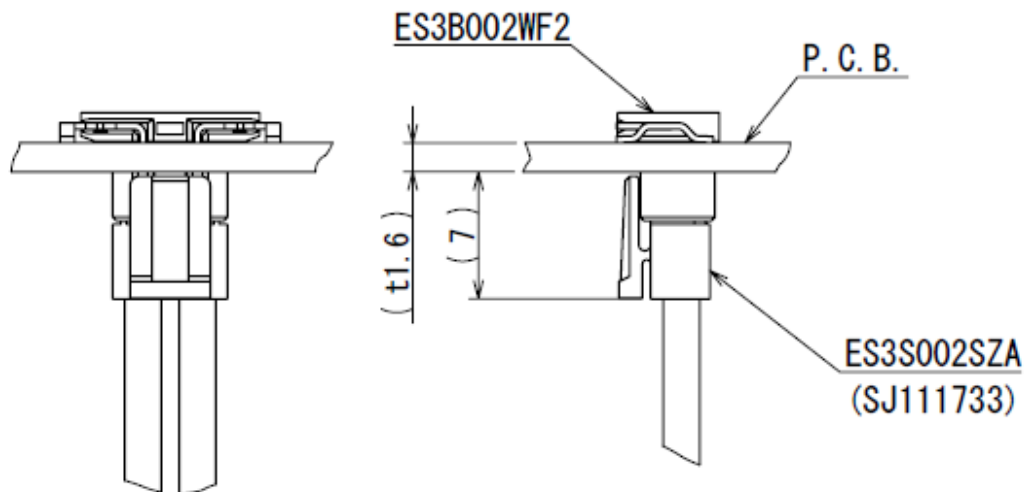
A-A  
(5 : 1)

3	INSULATOR	1	LCP		COLOR: WHITE
2	CONTACT-R	1	COPPER ALLOY	LEAD-FREE TIN PLATING	
1	CONTACT-L	1	COPPER ALLOY	LEAD-FREE TIN PLATING	
符号 NO.	名称 DESCRIPTION	個数 QTY.	材料 MATERIAL	仕上 FINISH	備考 REMARKS

Unit: mm



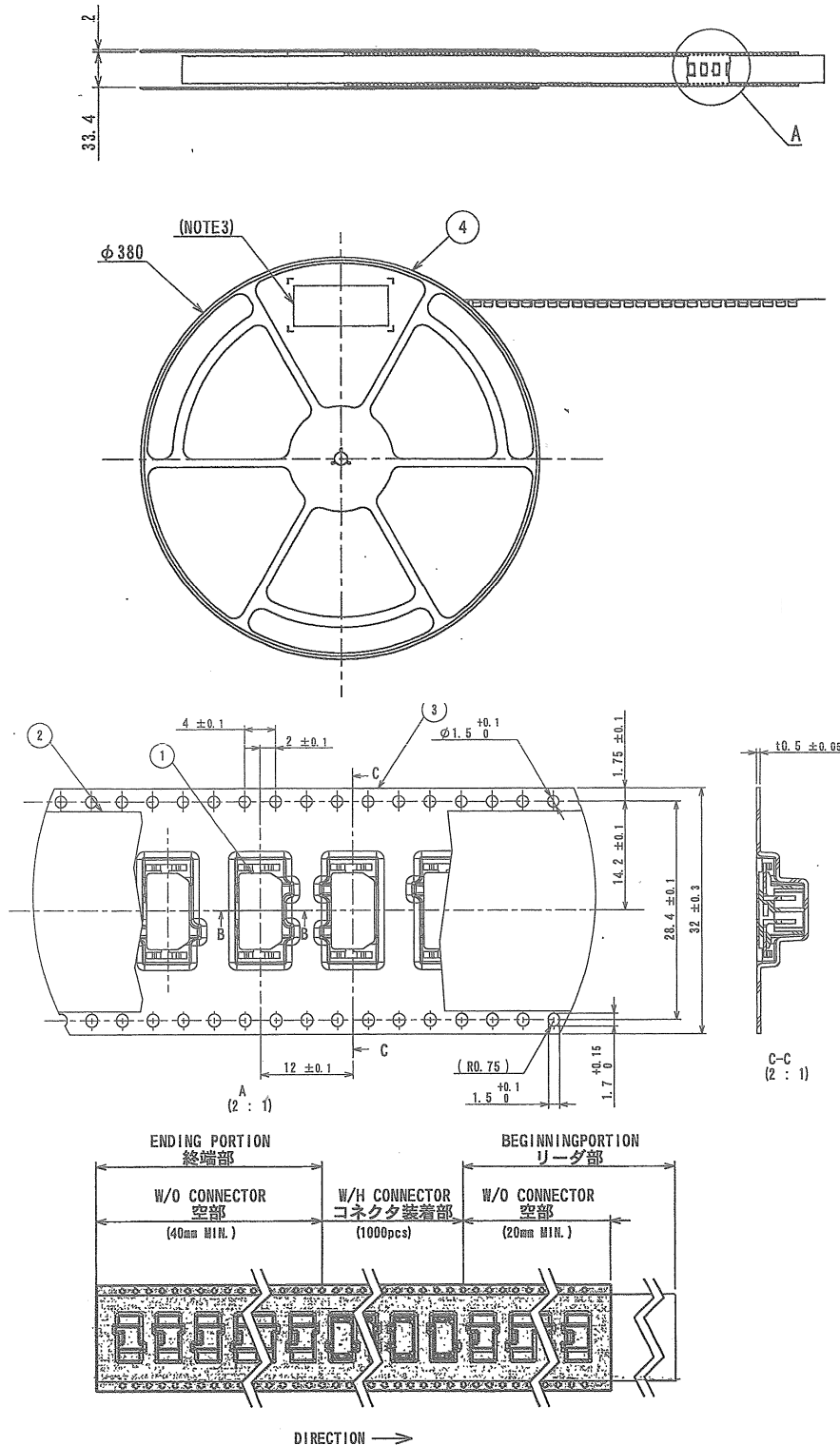
Applicable Board Dimensions (SMT side, for reference)



Drawing When Mated (for reference)

Part Number	ES3B002WF2R1000
Drawing No.	SJ111731

Unit: mm

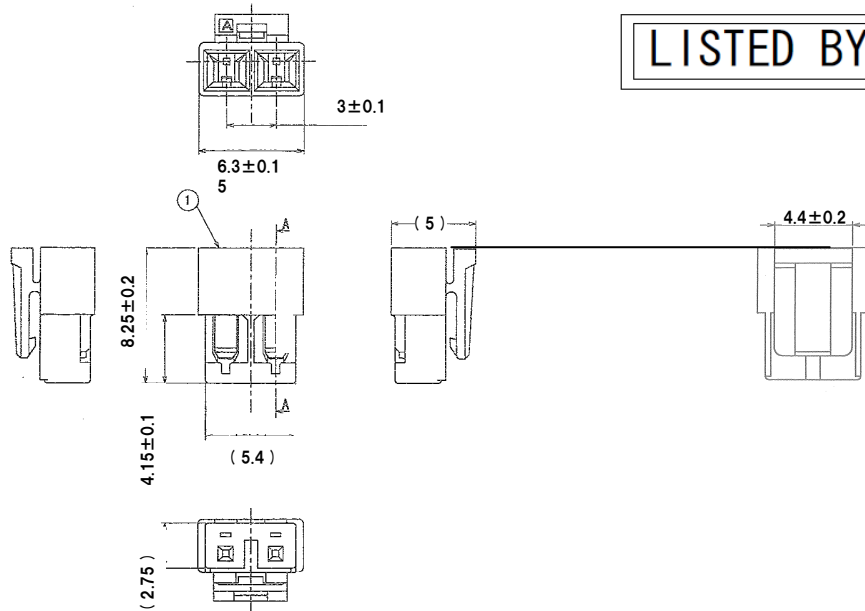


4	REEL	1	POLYSTYRENE		
3	CARRIER TAPE	1	POLYSTYRENE		
2	COVER TAPE	1	POLYESTER		
1	CONNECTOR	1000			ES3B002WF2 (SJ111730)
符号 NO.	名称 DESCRIPTION	個数 QTY.	材料 MATERIAL	仕上 FINISH	備考 REMARKS

Part Number	ES3S002SZA
Drawing No.	SJ111733

Unit: mm

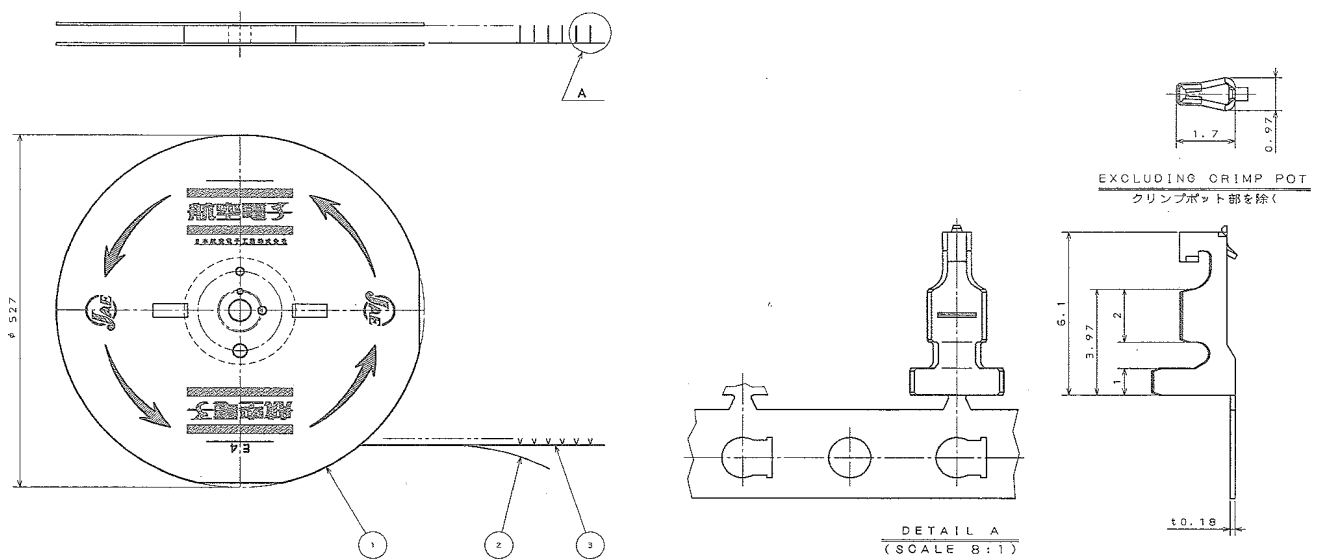
LISTED BY UL/cUL



1	HOUSING	1	6-6Ny	—	COLOR: BLACK
符号 NO.	名称 DESCRIPTION	個数 QTY.	材料 MATERIAL	仕上 FINISH	備考 REMARKS

Part Number	IL-Z-C1-A-7000
Drawing No.	SJ026615

Unit: mm



3	SOCKET CONTACT	7000	PHOSFOR BRONZE	TIN PLATING	TIN PLATING 1μm min.
2	PAPER TAPE	1	PAPER	—	—
1	MAGAGINE	1	PAPER	—	—
ITEM 符号	DESCRIPTION 名称	Q'TY 個数	MATERIAL 材料	FINISH 仕上	REMARKS 備考

## Crimping Tool

Cable Size	Hand Tool	Press	Semi Automatic Applicator
AWG22 to AWG26	CT150-4-ILZ1	CP215-5B	3502-ILZ1-2

## Technical Bulletin

Specification	JACS-10804
Instruction Manual	JAHL-10804

**Notice:** Products shown in this brochure are made for the applications listed below. However, if the above-mentioned products are to be used in aerospace devices, marine cable-connection devices, atomic power control systems, medical equipment for life-support systems, or any other specific application requiring extremely high reliability, please contact JAE for further information.

Recommended applications: Computers, Office machines, Measuring devices, Telecommunication devices (Terminals, Mobile devices), AV devices, Household applications, FA devices, etc.

### **Japan Aviation Electronics Industry, Limited**

Product Marketing Division  
Aobadai Building, 3-1-19, Aobadai, Meguro-ku, Tokyo 153-8539  
Phone: +81-3-3780-2787 FAX: +81-3-3780-2946

\* The specifications in this brochure are subject to change without notice. Please contact JAE for information.