



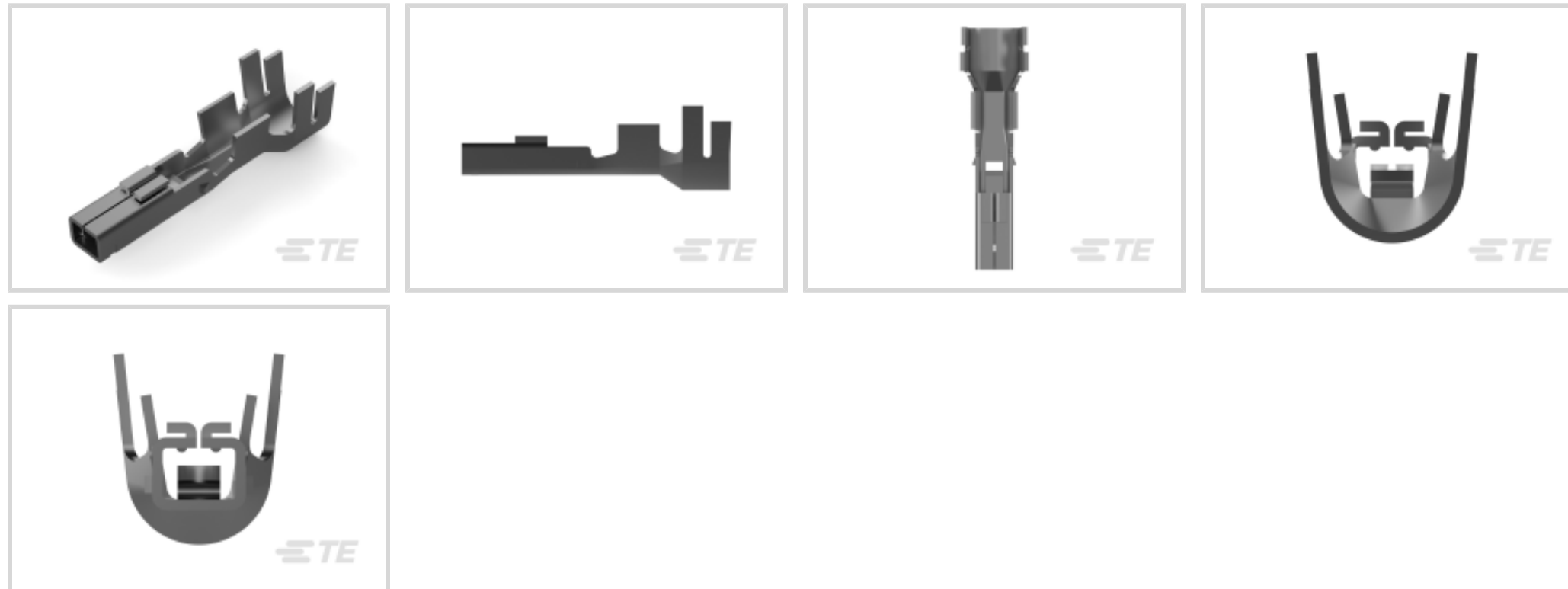
Power Double Lock

TE Internal #: 179593-1

Receptacle Contact, Tin, 50 VAC / 300 VAC, Locking Lance Contact Retention, 20 – 16 AWG Wire Size, .52 – 1.38 mm² Wire Size, Crimp, Power Double Lock

[View on TE.com >](#)

Connectors > Contacts > Connector Contacts



Contact Type: **Receptacle**

Contact Mating Area Plating Material: **Tin**

Wire Contact Termination Area Plating Material: **Pre-Tin**

Operating Voltage: **50 VAC, 300 VAC**

Contact Retention Within Housing: **With**

Features

Product Type Features

Discrete Wire Type	Stranded
--------------------	----------

Electrical Characteristics

Operating Voltage	50 VAC, 300 VAC
-------------------	-----------------

Contact Features

Mating Tab Width	1.5 mm[.06 in]
Mating Tab Thickness	.5 mm[.02 in]
Wire Contact Termination Area Plating Thickness	.8 μm[31.49 μin]
Contact Mating Area Plating Material Thickness	.8 μm[31.49 μin]
Contact Orientation	Straight
Contact Type	Receptacle
Contact Mating Area Plating Material	Tin
Wire Contact Termination Area Plating Material	Pre-Tin
Contact Retention Within Housing	With
Contact Base Material	Copper Alloy



Contact Current Rating (Max)	14 A
------------------------------	------

Termination Features

Termination Method to Wire & Cable	Crimp
Product Terminates To	Wire & Cable

Mechanical Attachment

Wire Insulation Support	With
Contact Retention Type Within Housing	Locking Lance

Dimensions

Compatible Insulation Diameter Range	1.8 – 3.1 mm [.071 – .12 in]
Wire Size	.52 – 1.38 mm ²

Usage Conditions

Operating Temperature Range	-30 – 105 °C [-22 – 221 °F]
-----------------------------	-----------------------------

Operation/Application

Circuit Application	Power
---------------------	-------

Packaging Features

Packaging Quantity	1000
Packaging Method	Bag

Product Compliance


[For compliance documentation, visit the product page on TE.com>](#)

EU RoHS Directive 2011/65/EU	Compliant
EU ELV Directive 2000/53/EC	Compliant
China RoHS 2 Directive MIIT Order No 32, 2016	No Restricted Materials Above Threshold
EU REACH Regulation (EC) No. 1907/2006	Current ECHA Candidate List: JUNE 2023 (235) Candidate List Declared Against: JUNE 2023 (235) Does not contain REACH SVHC
Halogen Content	Low Halogen - Br, Cl, F, I < 900 ppm per homogenous material. Also BFR/CFR/PVC Free
Solder Process Capability	Not applicable for solder process capability


Product Compliance Disclaimer

This information is provided based on reasonable inquiry of our suppliers and represents our current actual knowledge based on the information they provided. This information is subject to change. The part numbers that TE has identified as EU RoHS compliant have a maximum concentration of 0.1% by weight in homogenous materials for lead, hexavalent chromium, mercury, PBB, PBDE, DBP, BBP, DEHP, DIBP, and 0.01% for cadmium, or qualify for an exemption to these limits as defined in the Annexes of Directive 2011/65/EU (RoHS2). Finished electrical and electronic equipment products will be CE marked as required by Directive 2011/65/EU. Components may not be CE marked. Additionally, the part numbers that TE has identified as EU ELV compliant have a maximum concentration of 0.1% by weight in homogenous materials for lead, hexavalent chromium, and mercury, and 0.01% for cadmium, or qualify for an exemption to these limits as defined in the Annexes of Directive 2000/53/EC (ELV). Regarding the REACH Regulation, the information TE provides on SVHC in articles for this part number is based on the latest European Chemicals Agency (ECHA) 'Guidance on requirements for substances in articles' posted at this URL: <https://echa.europa.eu/guidance-documents/guidance-on-reach>

Compatible Parts



TE Part # CAT-P87024-P729
STD Temp Power Double Lock Plug



TE Part # 917354-1
AMP POWER D/LOCK PLUG HDR 12P

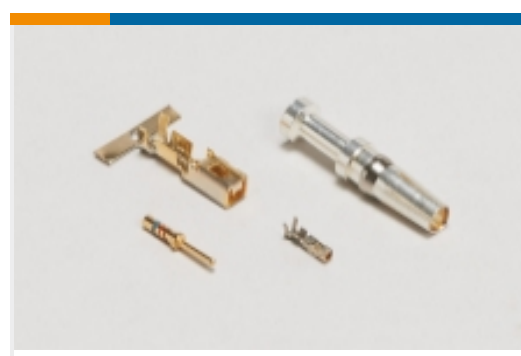


TE Part # 234912-1
EXT TOOL FOR POWER DBL LOK REC



TE Part # 91569-1
CCII POWER DBL LOCK L REC TAB 20-16 ASSY


Also in the Series | Power Double Lock



Connector Contacts(24)



Connector Hardware(14)



Insertion & Extraction Tools(2)



Rectangular Power Connectors(284)

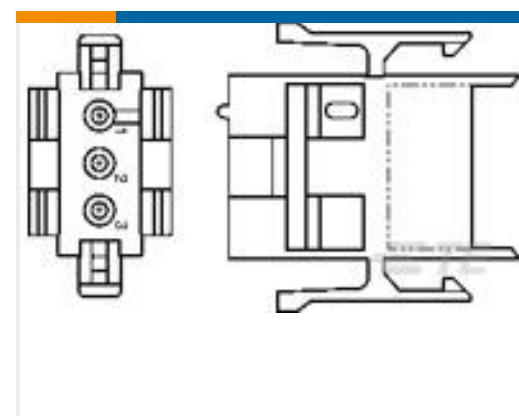
Customers Also Bought



TE Part #177903-1
STD Temp Power Double Lock Plug



TE Part #2005247-1
PDL 2P PLUG 3.96(GWT) NAT



TE Part #1-640508-0
03P MR II CAP HSG V0



TE Part #1744416-7
7 POS EP II HSG, GLOW WIRE



TE Part #170204-2
EIS CONTACT



TE Part #179463-1
POWER DBL LOCK CAP HSG F/H 2P



TE Part #2-1571999-9
ADP08STR04=PIANO DIP SWITCH

Documents

Product Drawings

[AMP POWER D/LOCK RECCONT. L/P](#)

English

CAD Files

[3D PDF](#)

English

Customer View Model

[ENG_CVM_179593-1_C.3d_igs.zip](#)

English

Customer View Model

[ENG_CVM_179593-1_C.3d_stp.zip](#)

English

Customer View Model

[ENG_CVM_179593-1_C.2d_dxf.zip](#)

English

[3D PDF](#)

3D

Customer View Model

[ENG_CVM_CVM_179593-1_O.2d_dxf.zip](#)

English

Customer View Model

[ENG_CVM_CVM_179593-1_O.3d_igs.zip](#)

English

Customer View Model

[ENG_CVM_CVM_179593-1_O.3d_stp.zip](#)

English

By downloading the CAD file I accept and agree to the [Terms and Conditions](#) of use.

Datasheets & Catalog Pages

[SOFT_SHELL_PIN_AND_SOCKET_CONNECTORS_CATALOG](#)

English

[1773458-5_POWER_DBL_LOCK_\(PDL\)_CONNECTORS](#)

English



Product Specifications

Application Specification

English

Instruction Sheets

Instruction Sheet (non U.S.)

Japanese

Agency Approvals

UL Report

English