



**SL-156**

TE Internal #: 3-647466-1

Socket Contact, Tin, 250 VAC, Locking Lance Contact Retention, Discrete Wire, 16 AWG Wire Size, 1.29 – 1.42 mm<sup>2</sup> Wire Size, SL-156

[View on TE.com >](#)

Connectors > Contacts > Connector Contacts > Wire-to-Board Connector Contacts: socket, wire size 30-16 AWG, SL 156



Contact Type: **Socket**

Contact Mating Area Plating Material: **Tin**

Wire Contact Termination Area Plating Material: **Tin**

Operating Voltage: **250 VAC**

Contact Retention Within Housing: **With**

[All Wire-to-Board Connector Contacts: socket, wire size 30-16 AWG, SL 156 \(23\)](#)

**Features**

**Configuration Features**

Compatible With Wire & Cable Type	Discrete Wire
-----------------------------------	---------------

**Electrical Characteristics**

Operating Voltage	250 VAC
-------------------	---------

**Contact Features**

Mating Square Post Dimension	1.14 mm[.045 in]
Wire Contact Termination Area Plating Material Finish	Matte
Contact Mating Area Plating Material Finish	Matte
Contact Type	Socket
Contact Mating Area Plating Material	Tin
Wire Contact Termination Area Plating Material	Tin
Contact Retention Within Housing	With
Contact Base Material	Phosphor Bronze
Contact Current Rating (Max)	10 A



### Termination Features

Termination Method to Wire & Cable	Crimp
Product Terminates To	Wire & Cable

### Mechanical Attachment

Contact Retention Type Within Housing	Locking Lance
---------------------------------------	---------------

### Dimensions

Compatible Insulation Diameter Range	1.78 – 2.84 mm [.07 – .112 in]
Wire Size	2550 – 2800 CMA

### Usage Conditions

Operating Temperature Range	-55 – 105 °C [-67 – 221 °F]
-----------------------------	-----------------------------

### Operation/Application

Circuit Application	Power
---------------------	-------

### Packaging Features

Packaging Quantity	5500
Packaging Method	Reel

### Product Compliance

[For compliance documentation, visit the product page on TE.com>](#)

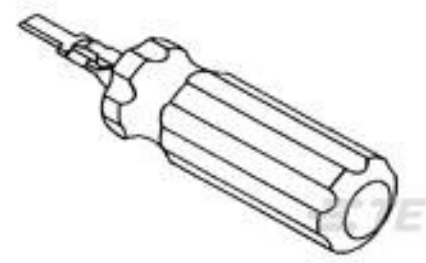
EU RoHS Directive 2011/65/EU	Compliant
EU ELV Directive 2000/53/EC	Compliant
China RoHS 2 Directive MIIT Order No 32, 2016	No Restricted Materials Above Threshold
EU REACH Regulation (EC) No. 1907/2006	Current ECHA Candidate List: JUNE 2023 (235) Candidate List Declared Against: JUNE 2023 (235) Does not contain REACH SVHC
Halogen Content	Low Halogen - Br, Cl, F, I < 900 ppm per homogenous material. Also BFR/CFR/PVC Free
Solder Process Capability	Not applicable for solder process capability

#### Product Compliance Disclaimer

This information is provided based on reasonable inquiry of our suppliers and represents our current actual knowledge based on the information they provided. This information is subject to change. The part numbers that TE has identified as EU RoHS compliant have a maximum concentration of 0.1% by weight in homogenous materials for lead, hexavalent chromium, mercury, PBB, PBDE, DBP, BBP, DEHP, DIBP, and 0.01% for cadmium, or qualify for an exemption to these limits as defined in the Annexes of Directive 2011/65/EU (RoHS2). Finished electrical and electronic equipment products

will be CE marked as required by Directive 2011/65/EU. Components may not be CE marked. Additionally, the part numbers that TE has identified as EU ELV compliant have a maximum concentration of 0.1% by weight in homogenous materials for lead, hexavalent chromium, and mercury, and 0.01% for cadmium, or qualify for an exemption to these limits as defined in the Annexes of Directive 2000/53/EC (ELV). Regarding the REACH Regulation, the information TE provides on SVHC in articles for this part number is based on the latest European Chemicals Agency (ECHA) 'Guidance on requirements for substances in articles' posted at this URL: <https://echa.europa.eu/guidance-documents/guidance-on-reach>

## Compatible Parts



TE Part # 90471-1  
EXTRACTION TOOL, SC-156



TE Part # 2266007-1  
OCEAN\_2.0\_Applicator-S-090F120F



TE Part # 2266007-2  
OCEAN\_2.0\_Applicator-S-090F120FA



TE Part # 2305570-1  
Strip Terminal Cutter-Side Feed-No Crimp



TE Part # 7-2266007-1  
OCEAN\_2.0\_Applicator-S-090F120F

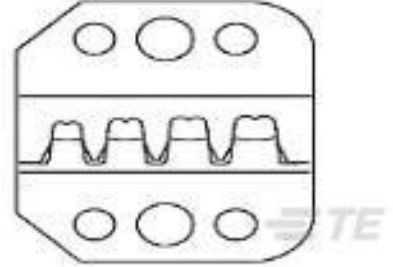


TE Part # 7-2266007-2  
OCEAN\_2.0\_Applicator-S-090F120FA




**KIT**  
REPRESENTATION ONLY

TE Part # 7-2266007-7  
OCEAN\_2.0\_SPARE\_PART\_KIT-090F120F




TE Part # 91369-2  
PRO-C DIE SL156 16


## Also in the Series | SL-156




Connector Contacts(23)




Connector Hardware(4)



Insertion & Extraction Tools(1)



Rectangular Connector Housings(10)

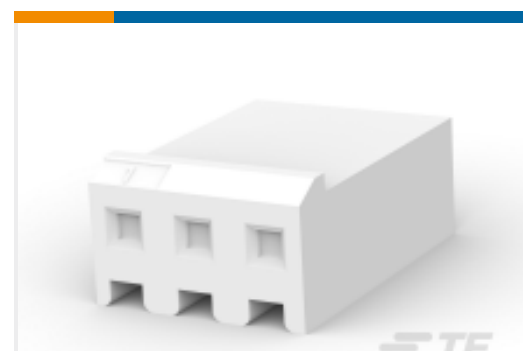


Wire-to-Board Connector Assemblies & Housings(140)

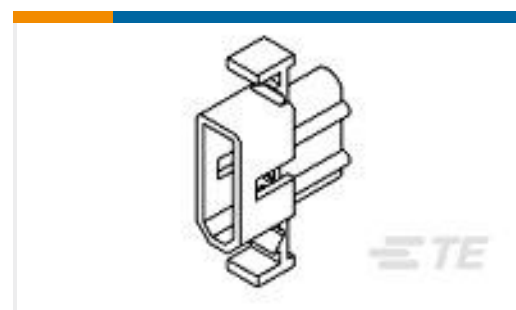
## Customers Also Bought



TE Part #2-328998-1  
PIDG 16-14 R 5/16; TAPE



TE Part #647401-2  
Receptacle Housing: Wire-to-Board,  
with Mating Alignment, SL156



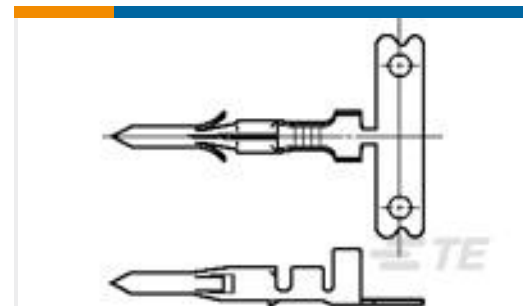
TE Part #770334-1  
04P .062 COMM P&S PLUG



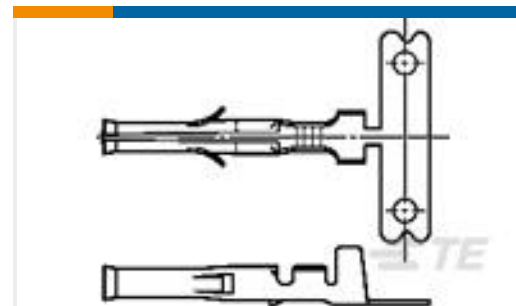
TE Part #770335-1  
04P .062 COMM P&S RECPT



TE Part #6339488-1  
VERTICAL BATTERY CONNECTOR  
ASSY



TE Part #350629-5  
.062 COMM P&S PIN AUNI/BR



TE Part #350628-5  
.062 COMM P&S SOK AUNI/BR



TE Part #63137-1  
250 FASOTN FLAG REC 20-16 AWG  
TPBZ



TE Part #2042274-7  
ELCON MINI 2P VERT HEADER, PRESS-  
FIT, W/HD

## Documents

### Product Drawings

[SL156 HOODED CONTACT, LID LF](#)

English

### CAD Files

Customer View Model

[ENG\\_CVM\\_3-647466-1\\_C.3d\\_igs.zip](#)

English

Customer View Model

[ENG\\_CVM\\_3-647466-1\\_C.3d\\_stp.zip](#)

English

Customer View Model

[ENG\\_CVM\\_3-647466-1\\_C.2d\\_dxf.zip](#)

English

[3D PDF](#)

English

[3D PDF](#)

3D



### Customer View Model

[ENG\\_CVM\\_CVM\\_3-647466-1\\_E.2d\\_dxf.zip](#)

English

### Customer View Model

[ENG\\_CVM\\_CVM\\_3-647466-1\\_E.3d\\_igs.zip](#)

English

### Customer View Model

[ENG\\_CVM\\_CVM\\_3-647466-1\\_E.3d\\_stp.zip](#)

English

By downloading the CAD file I accept and agree to the [Terms and Conditions](#) of use.

### Product Specifications

[Application Specification](#)

English