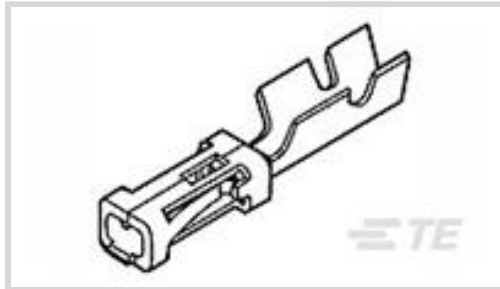




Connectors > Contacts > Connector Contacts



Contact Type: **Socket**

Contact Mating Area Plating Material: **Gold**

Wire Contact Termination Area Plating Material: **Tin-Lead, Tin-Lead over Nickel**

Operating Voltage: **250 VAC**

Compatible With Wire & Cable Type: **Discrete Wire**

### Features

#### Product Type Features

Applied Pressure	Standard
------------------	----------

#### Configuration Features

Compatible With Wire & Cable Type	Discrete Wire
-----------------------------------	---------------

#### Electrical Characteristics

Termination Resistance	12 mΩ
Insulation Resistance	5000 MΩ
Dielectric Withstanding Voltage (Max)	750 V
Operating Voltage	250 VAC

#### Contact Features

Mating Square Post Dimension	.64 mm[.025 in]
	100 – 200 μin
Contact Type	Socket
Contact Mating Area Plating Material	Gold
Wire Contact Termination Area Plating Material	Tin-Lead, Tin-Lead over Nickel
Contact Base Material	Copper Tin Phosphor Bronze
Contact Current Rating (Max)	3 A

#### Termination Features

Termination Method to Wire & Cable	Crimp
------------------------------------	-------



Product Terminates To

Wire &amp; Cable

### Mechanical Attachment

Wire Insulation Support

With

### Dimensions

Wire Size

236.823 – 789.41 CMA

### Usage Conditions

Operating Temperature Range

-65 – 105 °C[-85 – 221 °F]

### Operation/Application

Circuit Application

Power &amp; Signal

### Industry Standards

Compatible With Approved Standards Products

CSA LR7189, UL E28476

### Packaging Features

Packaging Quantity

12500

Packaging Method

Reel

### Product Compliance

[For compliance documentation, visit the product page on TE.com>](#)

EU RoHS Directive 2011/65/EU

Not Compliant

EU ELV Directive 2000/53/EC

Compliant with Exemptions

China RoHS 2 Directive MIIT Order No 32, 2016

Restricted Materials Above Threshold

EU REACH Regulation (EC) No. 1907/2006

Current ECHA Candidate List: JUNE 2023 (235)

Candidate List Declared Against: JUNE 2023 (235)

SVHC &gt; Threshold:

Pb (13% in Component Part)

**Article Safe Usage Statements:**

Do not eat, drink or smoke when using this product. Wash thoroughly after handling. Recycle if possible and dispose of the article by following all applicable governmental regulations relevant to your geographic location.

Halogen Content

Low Halogen - Br, Cl, F, I &lt; 900 ppm per homogenous material. Also BFR/CFR/PVC Free

Solder Process Capability

Not applicable for solder process capability

#### Product Compliance Disclaimer

This information is provided based on reasonable inquiry of our suppliers and represents our current actual knowledge based on the information they provided. This information is subject to change. The part numbers that TE has identified as EU RoHS compliant have a maximum concentration of 0.1% by weight in homogenous materials for lead, hexavalent



chromium, mercury, PBB, PBDE, DBP, BBP, DEHP, DIBP, and 0.01% for cadmium, or qualify for an exemption to these limits as defined in the Annexes of Directive 2011/65/EU (RoHS2). Finished electrical and electronic equipment products will be CE marked as required by Directive 2011/65/EU. Components may not be CE marked. Additionally, the part numbers that TE has identified as EU ELV compliant have a maximum concentration of 0.1% by weight in homogenous materials for lead, hexavalent chromium, and mercury, and 0.01% for cadmium, or qualify for an exemption to these limits as defined in the Annexes of Directive 2000/53/EC (ELV). Regarding the REACH Regulation, the information TE provides on SVHC in articles for this part number is based on the latest European Chemicals Agency (ECHA) 'Guidance on requirements for substances in articles' posted at this URL: <https://echa.europa.eu/guidance-documents/guidance-on-reach>

## Compatible Parts



TE Part # 91517-1  
CCII FEMALE MOD IV REC 24-22 ASSY



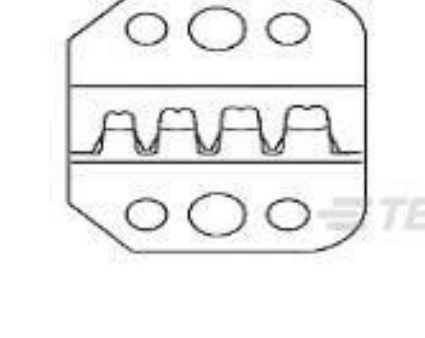
TE Part # 58641-1  
PRO-CRIMP TL & DIE MOD IV



TE Part # 2151307-1  
OCEAN\_2.0\_APPLICATOR-S-042F062O



TE Part # 843996-3  
TOOL, EXTRACTION RESET



TE Part # 58641-2  
PROCRIMP DIE MOD IV



TE Part # 2151307-2  
OCEAN\_2.0\_APPLICATOR-S-042F062OA



TE Part # 7-2151307-1  
OCEAN\_2.0\_APPLICATOR-S-042F062O




TE Part # 7-2151307-2  
OCEAN\_2.0\_APPLICATOR-S-042F062OA



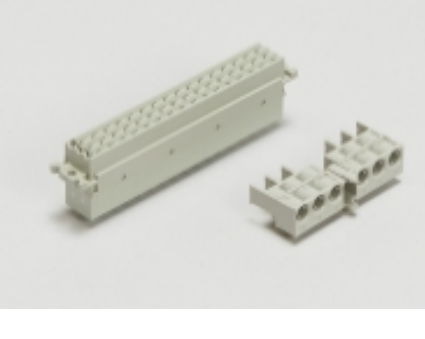
**KIT**  
REPRESENTATION ONLY

TE Part # 7-2151307-7  
OCEAN\_2.0\_SPARE\_PART\_KIT-042F062O


## Also in the Series | AMPMODU IV/V




Automotive Housings(1)



Backplane Connector Housings(1)



Connector Caps & Covers(18)



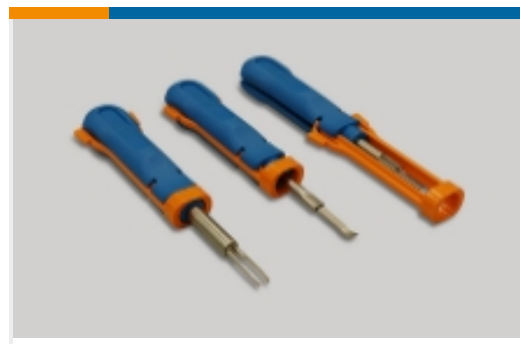
Connector Contacts(322)



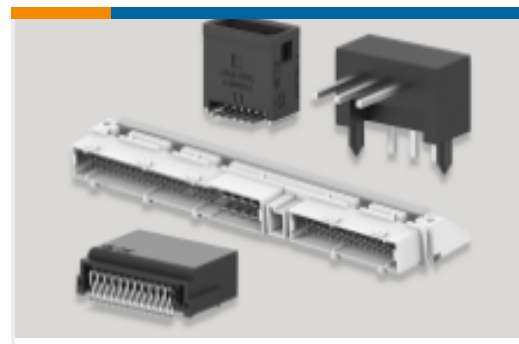
Connector Hardware(13)



Connector Strain Relief(3)



Insertion & Extraction Tools(4)



PCB Headers & Receptacles(931)



Rectangular Connector Housings(5)



Standard Rectangular Connectors(8)



Wire-to-Board Connector Assemblies & Housings(444)

## Customers Also Bought



TE Part #1658539-2  
PIN CONT DUPL PLT STRIP HD-20



TE Part #1418918-1  
MULTI CORE CABLE ADAPTER 90 DEGREE



TE Part #2-2291727-1  
D3200M FMLB REC HSG 4P SSKEY



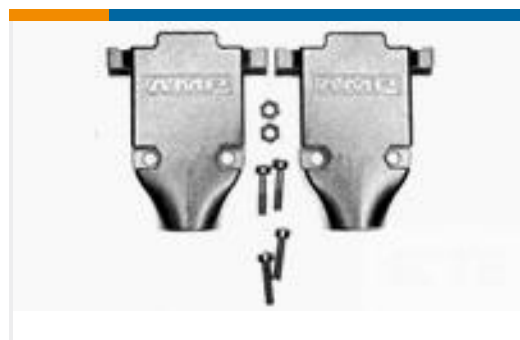
TE Part #T4061310004-005  
M8 CABLE ST FEMALE 5M 4POS PVC CABLE



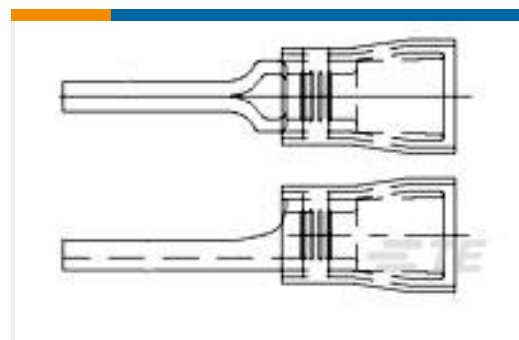
TE Part #102241-6  
08 MODIV HSG COMP SR .100 POL



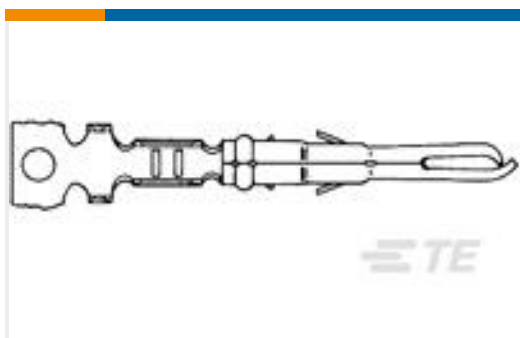
TE Part #102387-4  
20 MODIV HSG COMP DR .100 POL



TE Part #5747099-7  
CABLE CLAMP KIT,SZ 2



TE Part #165085-1  
PG WIRE PIN YELLOW



TE Part #350036-1  
.058 DIA PIN L/P

## Documents



### Product Drawings

#### MOD IV RECP PLTD 30 DPLX

English

---

### CAD Files

#### Customer View Model

[ENG\\_CVM\\_CVM\\_1-87756-7\\_AH.2d\\_dxf.zip](#)

English

#### 3D PDF

3D

#### Customer View Model

[ENG\\_CVM\\_CVM\\_1-87756-7\\_AH.3d\\_igs.zip](#)

English

#### Customer View Model

[ENG\\_CVM\\_CVM\\_1-87756-7\\_AH.3d\\_stp.zip](#)

English

By downloading the CAD file I accept and agree to the [Terms and Conditions](#) of use.

---

### Product Specifications

#### Application Specification

English