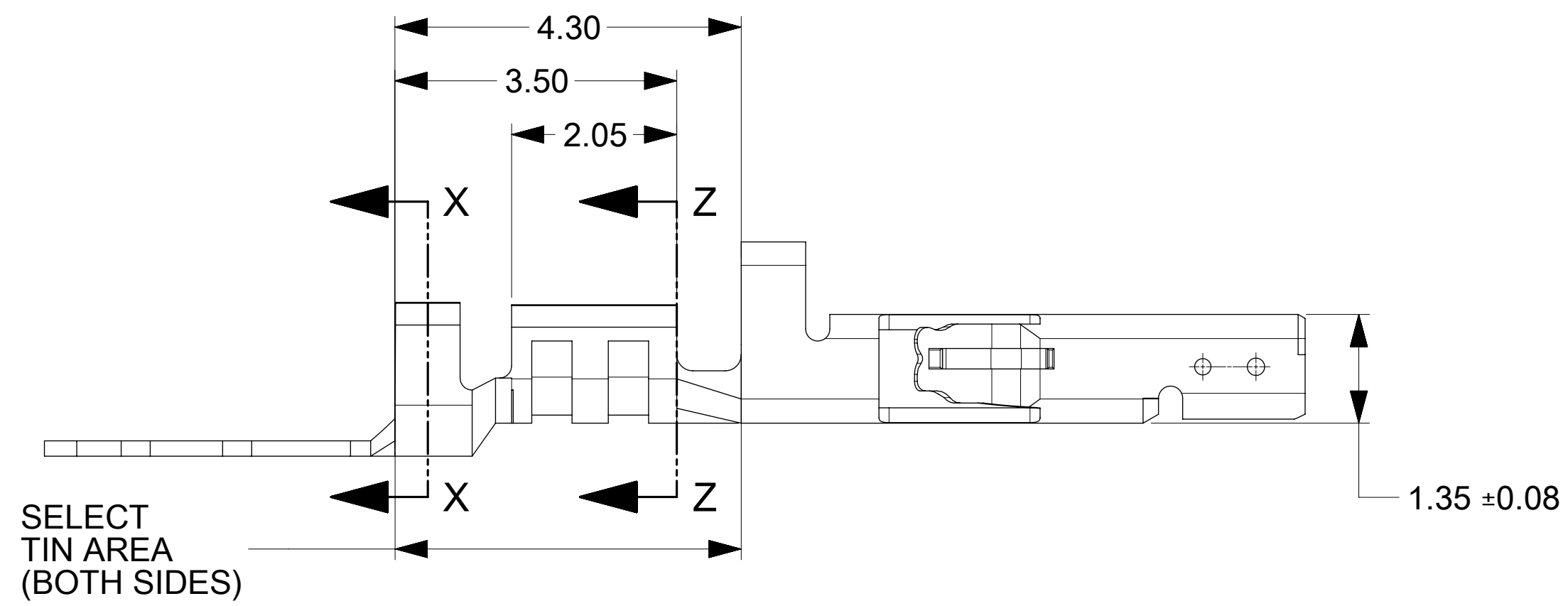
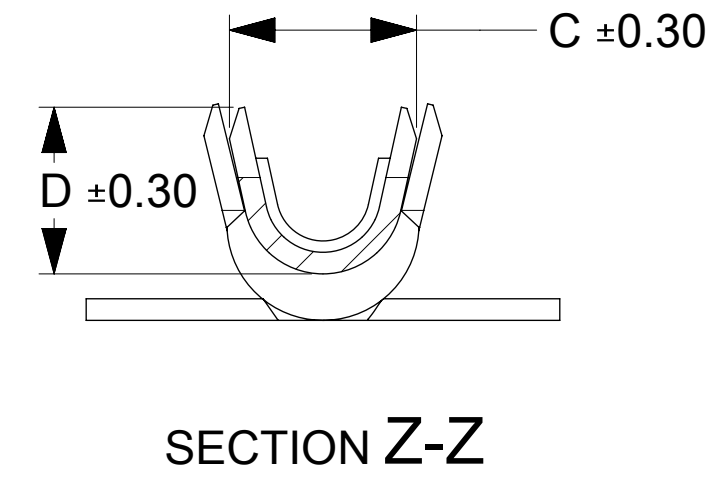
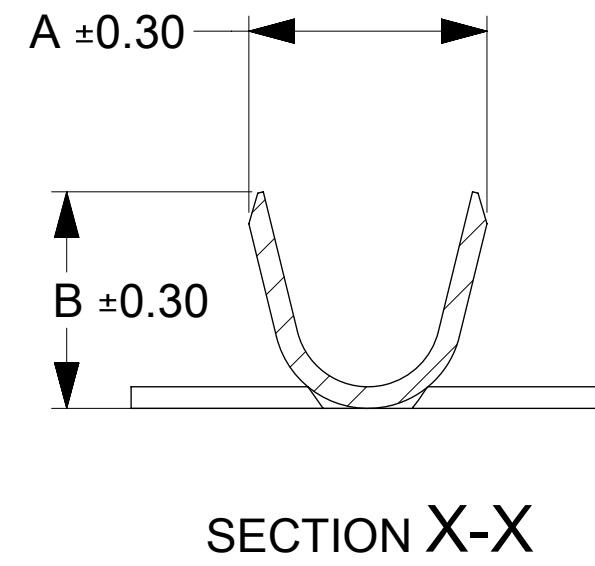
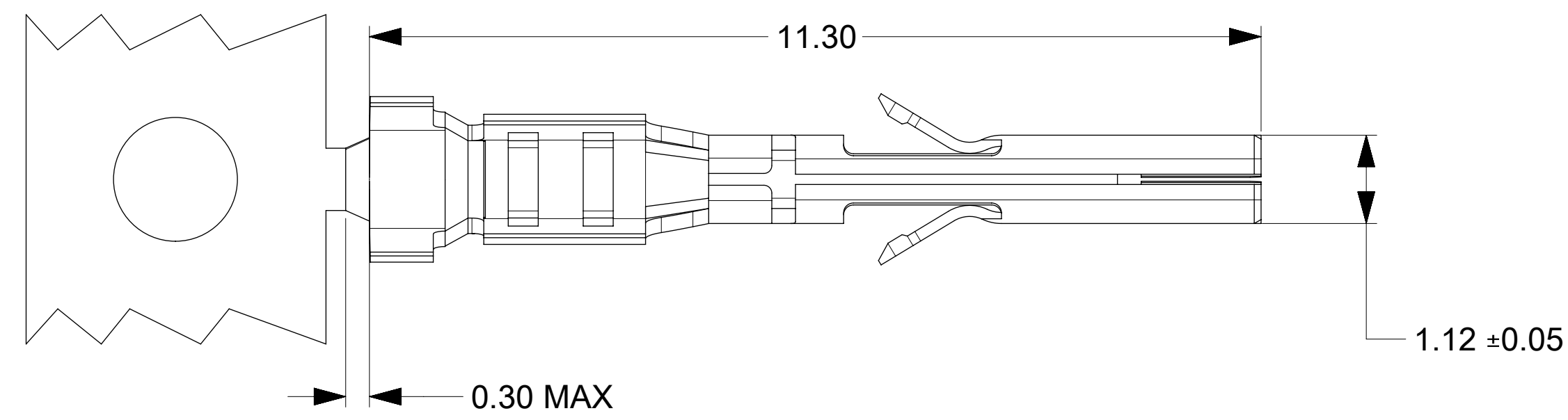
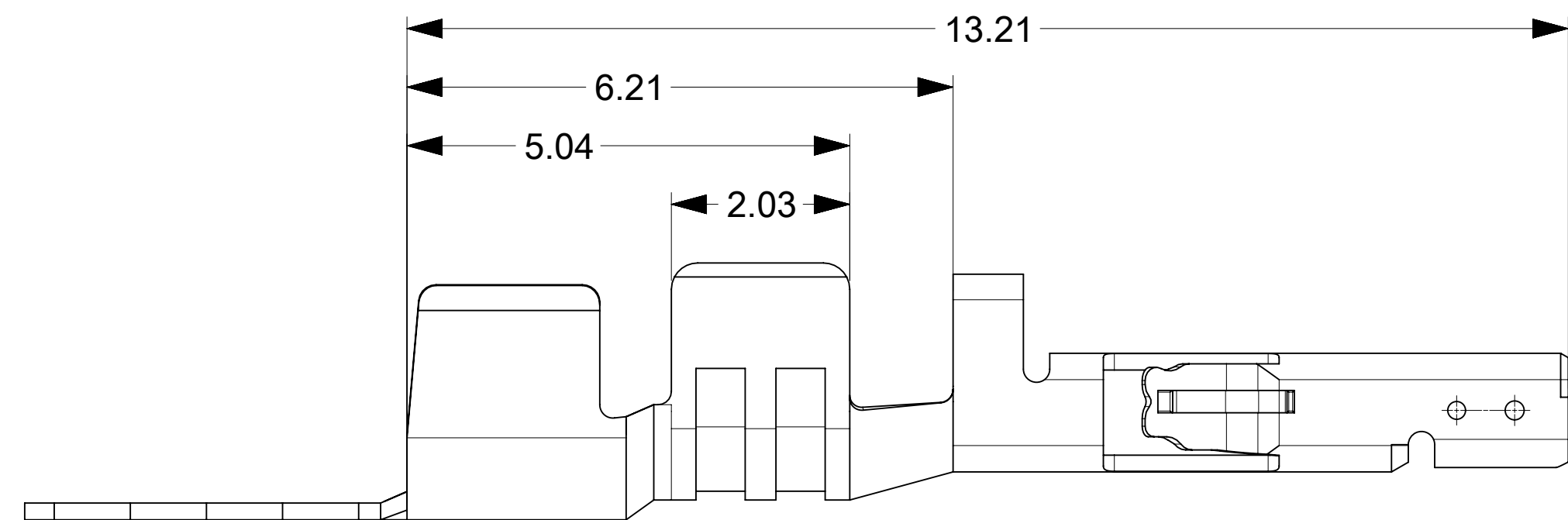


FOR 18AWG & 20-24AWG & 26-30AWG



FOR 16AWG



PART NUMBER	CONTACT PLATING OPTION	WIRE SIZE	ASSEMBLY OPTION	A	B	C	D
2064600011	TIN/NICKEL	26-30 AWG	CHAIN	2.10	1.91	1.65	1.47
2064600021	TIN/NICKEL	20-24 AWG		2.51	2.31	2.08	1.91
2064600031	TIN/NICKEL	18 AWG		2.51	2.31	2.39	2.18
2064600041	TIN/NICKEL	16 AWG		2.97	2.67	2.70	2.70
2064600012	15AU/NICKEL	26-30 AWG	CHAIN	2.10	1.91	1.65	1.47
2064600022	15AU/NICKEL	20-24 AWG		2.51	2.31	2.08	1.91
2064600032	15AU/NICKEL	18 AWG		2.51	2.31	2.39	2.18
2064600042	15AU/NICKEL	16 AWG		2.97	2.67	2.70	2.70
2064600013	30AU/NICKEL	26-30 AWG	CHAIN	2.10	1.91	1.65	1.47
2064600023	30AU/NICKEL	20-24 AWG		2.51	2.31	2.08	1.91
2064600033	30AU/NICKEL	18 AWG		2.51	2.31	2.39	2.18
2064600043	30AU/NICKEL	16 AWG		2.97	2.67	2.70	2.70

NOTES:

- MATERIAL: HIGH COPPER ALLOY
- PLATING :
  - OPTION 1: TIN OVER NICKEL OVERALL
  - OPTION 2: SELECT 15MICROINCH GOLD AND SELECT MATTE TIN OVER NICKEL.
  - OPTION 3: SELECT 30MICROINCH GOLD AND SELECT MATTE TIN OVER NICKEL.
- PRODUCT SPECIFICATION: 2064600000-PS
- PACKAGING SPECIFICATION: 2064600000-PK
- TERMINAL FOR USE IN RECEPTACLE SERIES 206461
- COSMETIC SPECIFICATION: PS-45499-002 CLASS B

THIS DRAWING CONTAINS INFORMATION THAT IS PROPRIETARY TO MOLEX ELECTRONIC TECHNOLOGIES, LLC AND SHOULD NOT BE USED WITHOUT WRITTEN PERMISSION											
DIMENSION UNITS <b>mm</b>		SCALE <b>NTS</b>		CURRENT REV DESC:							
GENERAL TOLERANCES (UNLESS SPECIFIED)				EC NO: 688978 DRWN: ZIXUAQ 2021/12/15 CHK'D: XQZHANG 2021/12/16 APPR: XQZHANG 2021/12/16 INITIAL REVISION: DRWN: SMAHAJANSHET 2018/05/08 APPR: NCSR 2019/04/02							
ANGULAR TOL ± 3.0°											
4 PLACES ±											
3 PLACES ±											
2 PLACES ± 0.25											
1 PLACE ± 0.35				DOCUMENT NUMBER <b>2064600000-SD</b>		DOC TYPE <b>PSD</b>		DOC PART <b>000</b>		REVISION <b>A3</b>	
0 PLACES ±				DRAFT WHERE APPLICABLE MUST REMAIN WITHIN DIMENSIONS		THIRD ANGLE PROJECTION		DRAWING <b>D-SIZE</b>		SERIES <b>206460</b>	
DOCUMENT STATUS <b>P1</b>				RELEASE DATE <b>2021/12/16 08:08:38</b>		MATERIAL NUMBER <b>SEE TABLE</b>		CUSTOMER <b>GENERAL MARKET</b>		SHEET NUMBER <b>1 OF 1</b>	

**molex**

FEMALE TERMINAL  
MICRO-FIT + SOLUTION

PRODUCT CUSTOMER DRAWING