

770005-3 ✓ ACTIVE

MATE-N-LOK | Universal MATE-N-LOK

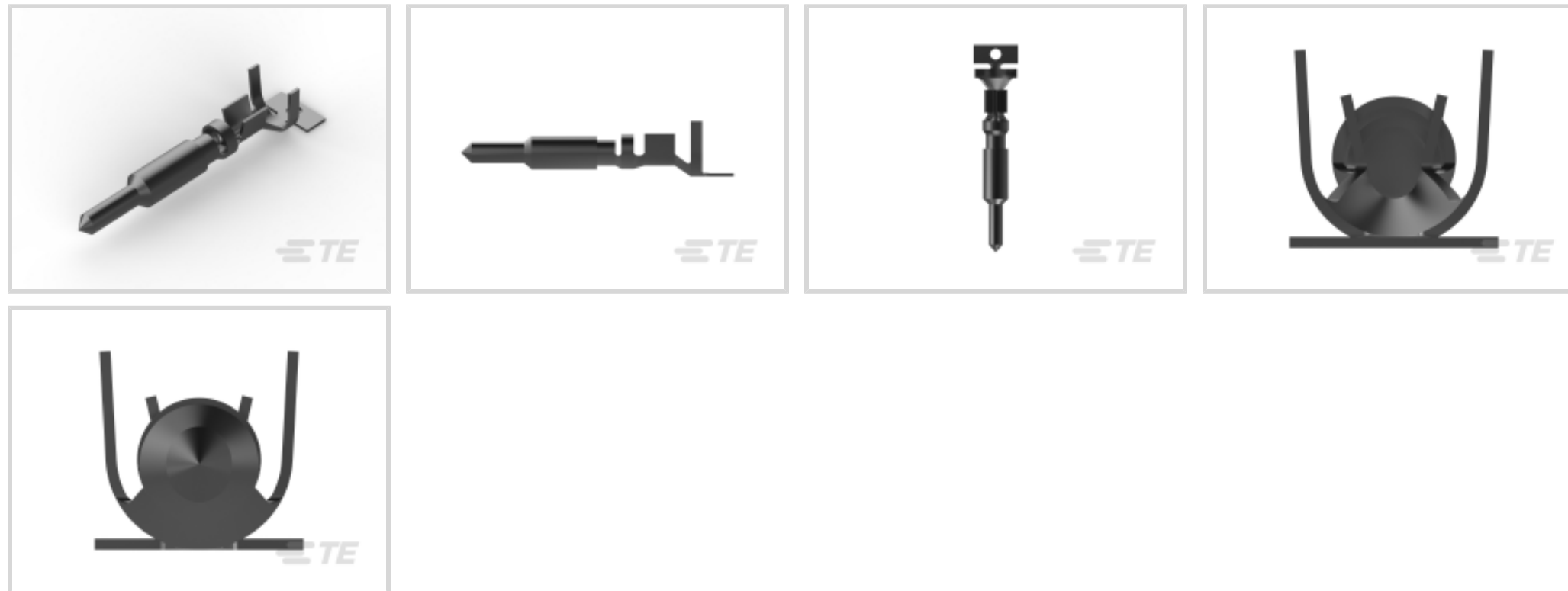
TE Internal #: 770005-3

Pin Contact, Tin, 600 VAC, 20 – 14 AWG Wire Size, .5 – 2 mm² Wire Size, Crimp, Phosphor Bronze, Power, Universal MATE-N-LOK

[View on TE.com >](#)



Connectors > Contacts > Connector Contacts



Contact Type: **Pin**

Contact Mating Area Plating Material: **Tin**

Wire Contact Termination Area Plating Material: **Pre-Tin**

Operating Voltage: **600 VAC**

Contact Retention Within Housing: **Without**

Features

Product Type Features

Discrete Wire Type	Stranded
--------------------	----------

Electrical Characteristics

Operating Voltage	600 VAC
-------------------	---------

Contact Features

Mating Pin Diameter	2.18 mm[.086 in]
Wire Contact Termination Area Plating Material Finish	Matte
Contact Orientation	Straight
Contact Type	Pin
Contact Mating Area Plating Material	Tin
Wire Contact Termination Area Plating Material	Pre-Tin
Contact Retention Within Housing	Without
Contact Base Material	Phosphor Bronze
Contact Current Rating (Max)	7 A

Termination Features

--	--



Termination Method to Wire & Cable	Crimp
------------------------------------	-------

Product Terminates To	Wire & Cable
-----------------------	--------------

Mechanical Attachment

Wire Insulation Support	Without
-------------------------	---------

Dimensions

Compatible Insulation Diameter Range	3.3 – 5.08 mm [.13 – .2 in]
--------------------------------------	-----------------------------

Wire Size	.5 – 2 mm ²
-----------	------------------------

Usage Conditions

Operating Temperature Range	-55 – 120 °C [-67 – 248 °F]
-----------------------------	-----------------------------

Operation/Application

Circuit Application	Power
---------------------	-------

Industry Standards

Compatible With Agency/Standards Products	CSA, UL, VDE
---	--------------

Packaging Features

Packaging Quantity	2500
--------------------	------

Packaging Method	Reel
------------------	------

Product Compliance

[For compliance documentation, visit the product page on TE.com>](#)

EU RoHS Directive 2011/65/EU	Compliant
------------------------------	-----------

EU ELV Directive 2000/53/EC	Compliant
-----------------------------	-----------

China RoHS 2 Directive MIIT Order No 32, 2016	No Restricted Materials Above Threshold
---	---

EU REACH Regulation (EC) No. 1907/2006	Current ECHA Candidate List: JUNE 2023 (235) Candidate List Declared Against: JUNE 2023 (235) Does not contain REACH SVHC
--	---

Halogen Content	Low Halogen - Br, Cl, F, I < 900 ppm per homogenous material. Also BFR/CFR/PVC Free
-----------------	---

Solder Process Capability	Not applicable for solder process capability
---------------------------	--

Product Compliance Disclaimer


This information is provided based on reasonable inquiry of our suppliers and represents our current actual knowledge based on the information they provided. This information is subject to change. The part numbers that TE has identified as EU RoHS compliant have a maximum concentration of 0.1% by weight in homogenous materials for lead, hexavalent

chromium, mercury, PBB, PBDE, DBP, BBP, DEHP, DIBP, and 0.01% for cadmium, or qualify for an exemption to these limits as defined in the Annexes of Directive 2011/65/EU (RoHS2). Finished electrical and electronic equipment products will be CE marked as required by Directive 2011/65/EU. Components may not be CE marked. Additionally, the part numbers that TE has identified as EU ELV compliant have a maximum concentration of 0.1% by weight in homogenous materials for lead, hexavalent chromium, and mercury, and 0.01% for cadmium, or qualify for an exemption to these limits as defined in the Annexes of Directive 2000/53/EC (ELV). Regarding the REACH Regulation, the information TE provides on SVHC in articles for this part number is based on the latest European Chemicals Agency (ECHA) 'Guidance on requirements for substances in articles' posted at this URL: <https://echa.europa.eu/guidance-documents/guidance-on-reach>

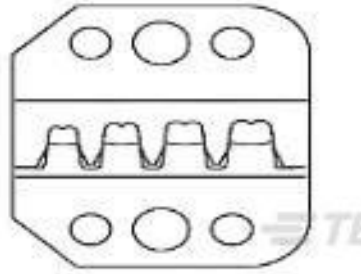
Compatible Parts



TE Part # 90547-1
ASSY PRO-CRIMPER UNIV M-N-L



TE Part # 91506-1
CCII UNML UNML II PIN SKT 16-14 ASSY



TE Part # 90547-2
PROCRIMPER DIE ASSY UNIV MNL



TE Part # 91508-1
CCII UNML UNML II PIN SKT 20-18 ASSY



TE Part # 2266669-1
OCEAN_2.0_Applicator-S-090F200F



TE Part # 2266669-2
OCEAN_2.0_Applicator-S-090F200F



TE Part # 2305570-1
Strip Terminal Cutter-Side Feed-No Crimp



TE Part # 7-2266669-1
OCEAN_2.0_Applicator-S-090F200F




TE Part # 7-2266669-2
OCEAN_2.0_Applicator-S-090F200F




TE Part # 7-2266669-7
OCEAN_2.0_SPARE_PART_KIT-090F200F


Also in the Series | Universal MATE-N-LOK




Circular Power Connectors(2)



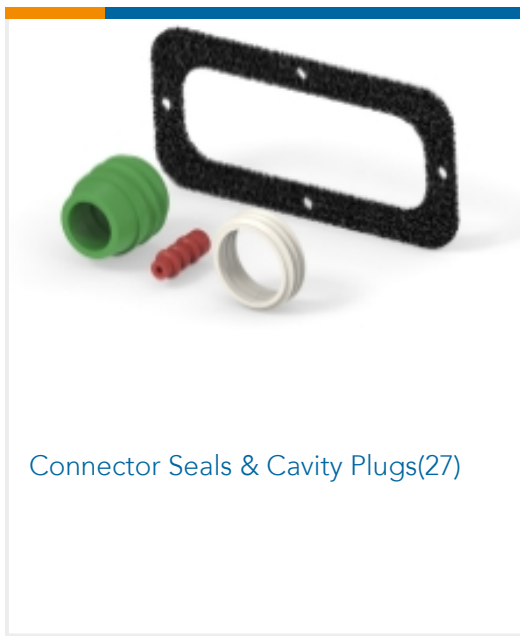
Connector Caps & Covers(34)



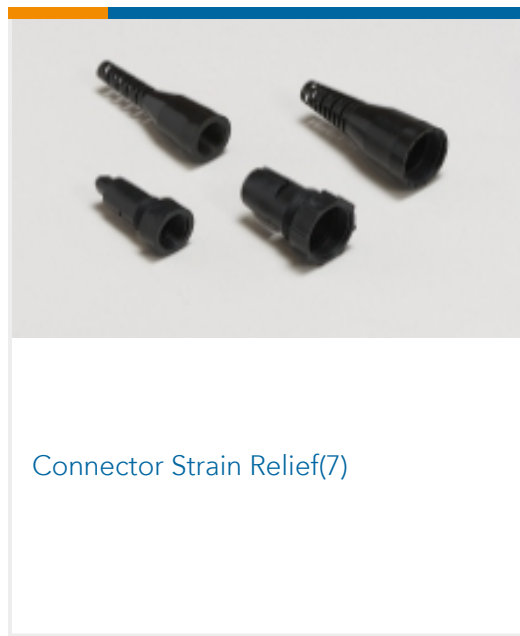
Connector Contacts(209)



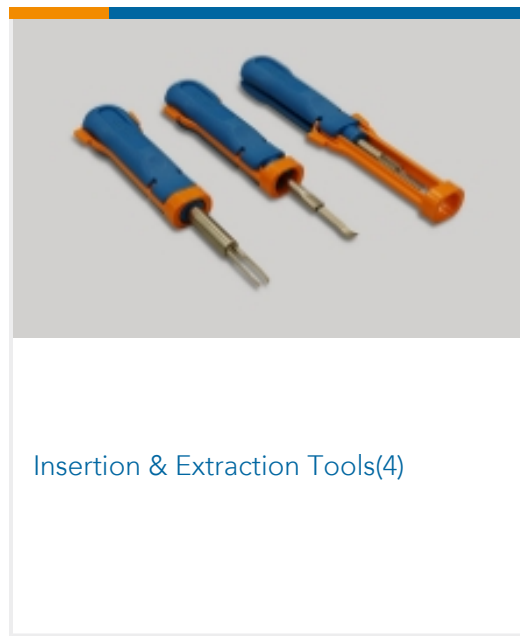
Connector Hardware(12)



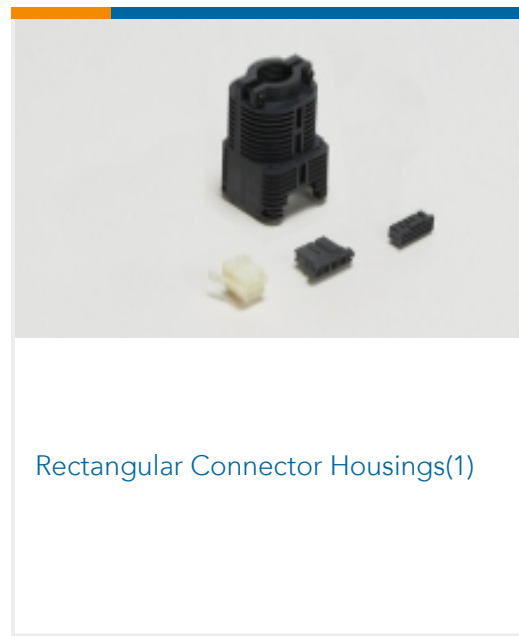
Connector Seals & Cavity Plugs(27)



Connector Strain Relief(7)



Insertion & Extraction Tools(4)

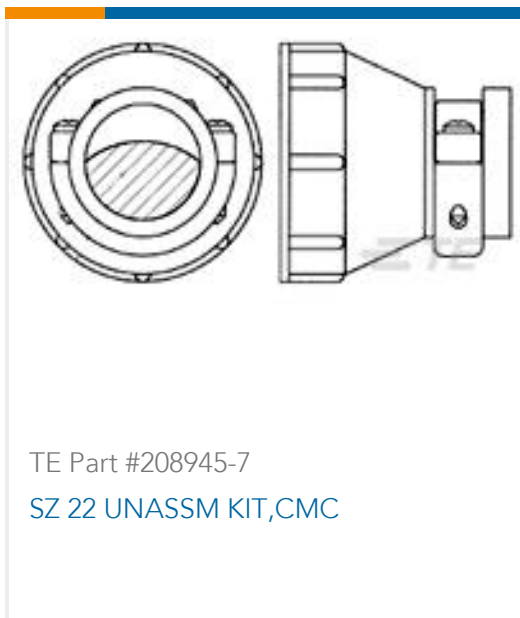


Rectangular Connector Housings(1)



Rectangular Power Connectors(672)

Customers Also Bought



TE Part #208945-7
SZ 22 UNASSM KIT,CMC



TE Part #3-520408-2
ULTRA-FAST 250 ASY REC 16-14 AWG
TPBR



TE Part #344081-1
RECPT. HSG. ASSY. 2 WAY



TE Part #2-35244-1
SPLICE,PG BUTT 16-14



TE Part #1438618-1
40 WAY ARM PLUG, KEY H NSB



TE Part #927771-9
JPT REC 2.8 Contact SRC Au



TE Part #4-87631-2
50 MODIV HSG DR MRKD .100 POL



TE Part #3-87631-6
40 MODIV HSG DR MRKD .100 POL



TE Part #172781-4
LOW PROFILE MINI AMP-IN
(AWG#30-#26)Y-TY

Documents



Product Drawings

[UMNL II PIN PHBZ, PRE-TIN](#)

English

CAD Files

[3D PDF](#)

3D

Customer View Model

[ENG_CVM_CVM_770005-3_AA.2d_dxf.zip](#)

English

Customer View Model

[ENG_CVM_CVM_770005-3_AA.3d_igs.zip](#)

English

Customer View Model

[ENG_CVM_CVM_770005-3_AA.3d_stp.zip](#)

English

By downloading the CAD file I accept and agree to the [Terms and Conditions](#) of use.

Datasheets & Catalog Pages

[SOFT_SHELL_PIN_SOCKET_CONNECTORS_STANDARD_DENSITY](#)

English

Product Specifications

[Application Specification](#)

English