

AMP

TE Internal #: 794000-2

Receptacle Contact, Gold, 250 VAC, 250 VDC, 26 – 24 AWG Wire Size, .12 – .2 mm² Wire Size, 236.823 – 394.705 CMA Wire Size, Crimp, Phosphor Bronze

[View on TE.com >](#)

Connectors > Contacts > Connector Contacts

Contact Type: **Receptacle**Contact Mating Area Plating Material: **Gold**Wire Contact Termination Area Plating Material: **Gold Flash**Operating Voltage: **250 VDC**

Features

Product Type Features

Sealable	No
----------	----

Electrical Characteristics

Operating Voltage	250 VDC
-------------------	---------

Contact Features

Contact Fabrication	Stamped & Formed
---------------------	------------------

Mating Pin Diameter	1.96 mm[.077 in]
---------------------	------------------

Contact Underplating Material Thickness	1.27 μm[1.27 μin]
---	-------------------

Wire Contact Termination Area Plating Thickness	.76 μm[30 μin]
---	----------------

Wire Contact Termination Area Plating Material Finish	Matte
---	-------

Contact Mating Area Plating Material Thickness	.76 μm[29.92 μin]
--	-------------------

Contact Orientation	Straight
---------------------	----------

Contact Underplating Material	Nickel
-------------------------------	--------

Contact Type	Receptacle
--------------	------------

Contact Mating Area Plating Material	Gold
--------------------------------------	------

Wire Contact Termination Area Plating Material	Gold Flash
--	------------



Contact Retention Within Housing	With
Contact Base Material	Phosphor Bronze
Contact Current Rating (Max)	9 A

Termination Features

Termination Method to Wire & Cable	Crimp
Product Terminates To	Wire & Cable

Mechanical Attachment

Wire Insulation Support	With
-------------------------	------

Dimensions

Compatible Insulation Diameter Range	.64 – 1.27 mm [.025 – .05 in]
Wire Size	236.823 – 394.705 CMA

Usage Conditions

Operating Temperature Range	-55 – 85 °C [-67 – 185 °F]
-----------------------------	----------------------------

Operation/Application

Circuit Application	Power & Signal
---------------------	----------------

Packaging Features

Packaging Method	Reel
------------------	------

Product Compliance

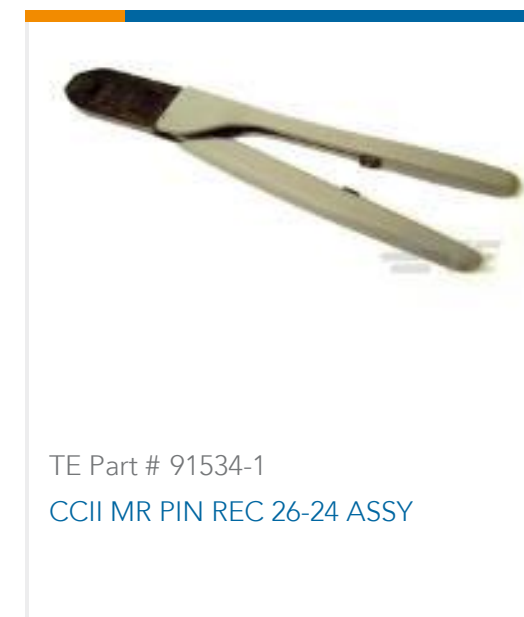
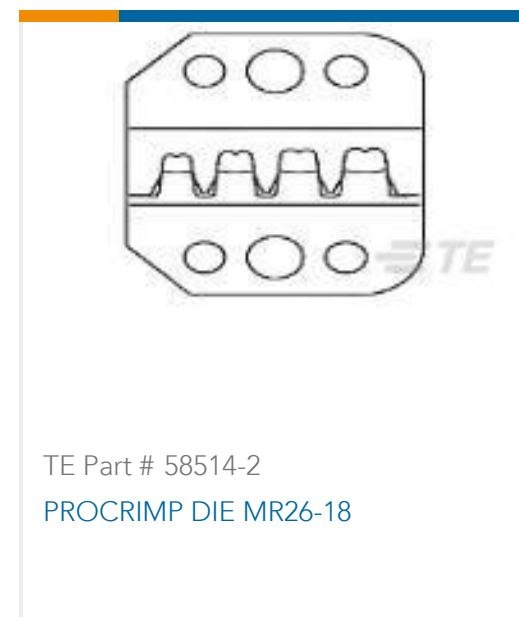
[For compliance documentation, visit the product page on TE.com>](#)

EU RoHS Directive 2011/65/EU	Compliant
EU ELV Directive 2000/53/EC	Compliant
China RoHS 2 Directive MIIT Order No 32, 2016	No Restricted Materials Above Threshold
EU REACH Regulation (EC) No. 1907/2006	Current ECHA Candidate List: JUNE 2023 (235) Candidate List Declared Against: JUNE 2023 (235) Does not contain REACH SVHC
Halogen Content	Low Halogen - Br, Cl, F, I < 900 ppm per homogenous material. Also BFR/CFR/PVC Free
Solder Process Capability	Not applicable for solder process capability

Product Compliance Disclaimer

This information is provided based on reasonable inquiry of our suppliers and represents our current actual knowledge based on the information they provided. This information is subject to change. The part numbers that TE has identified as EU RoHS compliant have a maximum concentration of 0.1% by weight in homogenous materials for lead, hexavalent chromium, mercury, PBB, PBDE, DBP, BBP, DEHP, DIBP, and 0.01% for cadmium, or qualify for an exemption to these limits as defined in the Annexes of Directive 2011/65/EU (RoHS2). Finished electrical and electronic equipment products will be CE marked as required by Directive 2011/65/EU. Components may not be CE marked. Additionally, the part numbers that TE has identified as EU ELV compliant have a maximum concentration of 0.1% by weight in homogenous materials for lead, hexavalent chromium, and mercury, and 0.01% for cadmium, or qualify for an exemption to these limits as defined in the Annexes of Directive 2000/53/EC (ELV). Regarding the REACH Regulation, the information TE provides on SVHC in articles for this part number is based on the latest European Chemicals Agency (ECHA) 'Guidance on requirements for substances in articles' posted at this URL: <https://echa.europa.eu/guidance-documents/guidance-on-reach>

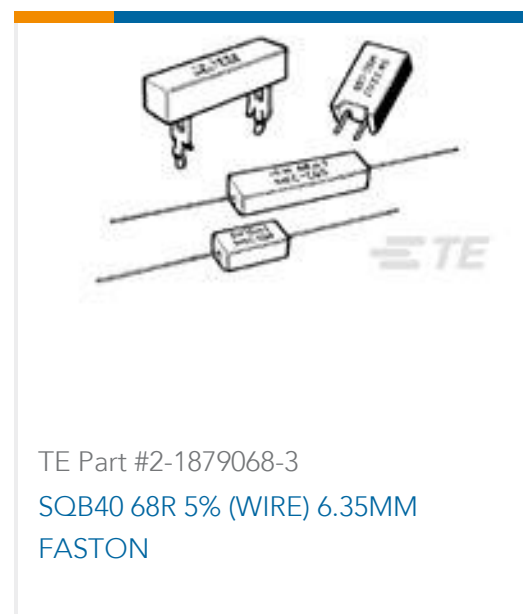
Compatible Parts



Customers Also Bought



TE Part #5787908-1
KIT, RCPT, 15P, HDP-20, SHLD HDWRE



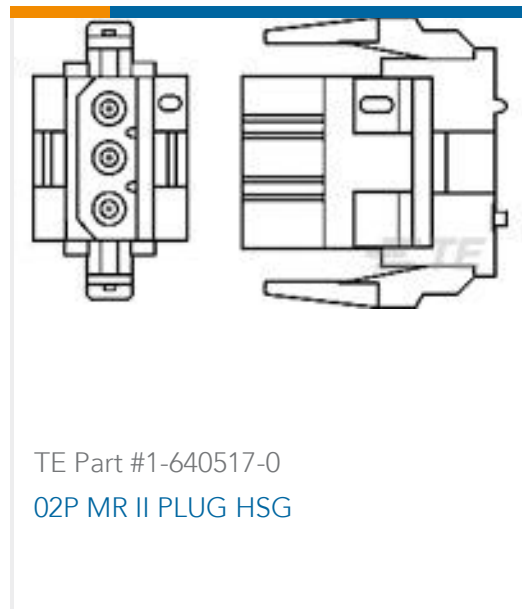
TE Part #2-1879068-3
SQB40 68R 5% (WIRE) 6.35MM
FASTON



TE Part #5413771-3
JACK BLKHD, COML BNC, HEX CRIMP



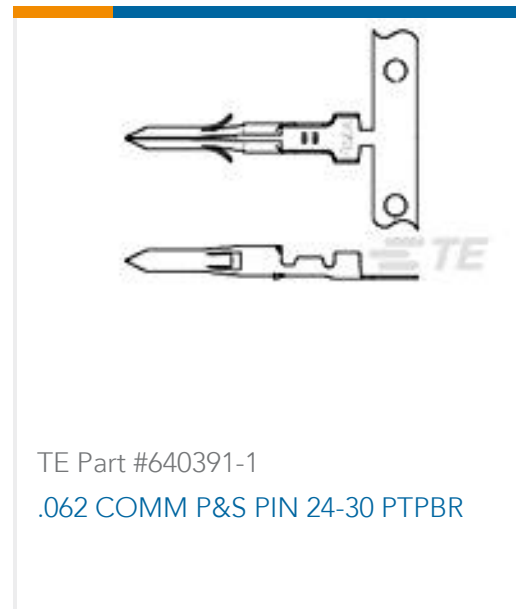
TE Part #3-641437-6
06P MTA156 PSTD CONN ASSY RED



TE Part #1-640517-0
02P MR II PLUG HSG



TE Part #521290-1
FF 250 REC HSG 1P NYLON NAT



TE Part #640391-1
.062 COMM P&S PIN 24-30 PTPBR



TE Part #8-1879215-7
CPF 0402 36K5 0.1% 25PPM 1K RL



TE Part #52464-1
TERMINAL, PG SPR SPD 16-14 8



TE Part #202169-1
M-SERIES HALF SHIELD KIT

Documents

Product Drawings

MR RECEPTACLE AU PHBZ

English

CAD Files

3D PDF

English

Customer View Model

[ENG_CVM_794000-2_O.3d_igs.zip](#)

English

Customer View Model

[ENG_CVM_794000-2_O.3d_stp.zip](#)

English

Customer View Model

[ENG_CVM_794000-2_O.2d_dxf.zip](#)

English

3D PDF

3D



Customer View Model

[ENG_CVM_CVM_794000-2_E.2d_dxf.zip](#)

English

Customer View Model

[ENG_CVM_CVM_794000-2_E.3d_igs.zip](#)

English

Customer View Model

[ENG_CVM_CVM_794000-2_E.3d_stp.zip](#)

English

By downloading the CAD file I accept and agree to the [Terms and Conditions](#) of use.

Datasheets & Catalog Pages

[SOFT_SHELL_PIN_AND_SOCKET_CONNECTORS_CATALOG](#)

English

Product Specifications

[Application Specification](#)

English