

182734-3 ✓ ACTIVE

AMPMODU | AMPMODU HE 13/HE 14

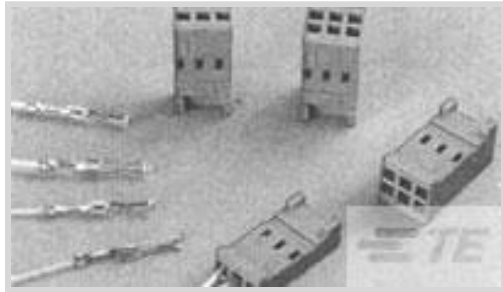
TE Internal #: 182734-3

Socket Contact, Gold, Discrete Wire, 28 – 24 AWG Wire Size, .08 – .24 mm² Wire Size, 160 – 404 CMA Wire Size, AMPMODU HE 13/HE 14

[View on TE.com >](#)



[Connectors >](#) [Contacts >](#) [Connector Contacts >](#) [HE13/HE14 Contacts](#)



Contact Type: **Socket**

Contact Mating Area Plating Material: **Gold**

Wire Contact Termination Area Plating Material: **Tin**

Compatible With Wire & Cable Type: **Discrete Wire**

Wire Size: **28 – 24 AWG**

[All HE13/HE14 Contacts \(4\)](#)

Features

Configuration Features

Compatible With Wire & Cable Type	Discrete Wire
-----------------------------------	---------------

Contact Features

Mating Square Post Dimension	.63 mm[.024 in]
Contact Type	Socket
Contact Mating Area Plating Material	Gold
Wire Contact Termination Area Plating Material	Tin
Contact Base Material	Phosphor Bronze
Contact Current Rating (Max)	3 A

Termination Features

Termination Method to Wire & Cable	Insulation Displacement (IDC)
Product Terminates To	Wire & Cable

Dimensions

Compatible Insulation Diameter Range	.8 – 1.5 mm[.032 – .059 in]
Wire Size	160 – 404 CMA

Usage Conditions

Operating Temperature Range	-55 – 125 °C[-67 – 257 °F]
-----------------------------	----------------------------



Operation/Application

Circuit Application	Signal
---------------------	--------

Packaging Features

Packaging Quantity	100
Packaging Method	Loose Piece

Product Compliance

[For compliance documentation, visit the product page on TE.com>](#)

EU RoHS Directive 2011/65/EU	Compliant
EU ELV Directive 2000/53/EC	Compliant
China RoHS 2 Directive MIIT Order No 32, 2016	No Restricted Materials Above Threshold
EU REACH Regulation (EC) No. 1907/2006	Current ECHA Candidate List: JUNE 2023 (235) Candidate List Declared Against: JUNE 2023 (235) Does not contain REACH SVHC
Halogen Content	Low Halogen - Br, Cl, F, I < 900 ppm per homogenous material. Also BFR/CFR/PVC Free
Solder Process Capability	Not applicable for solder process capability

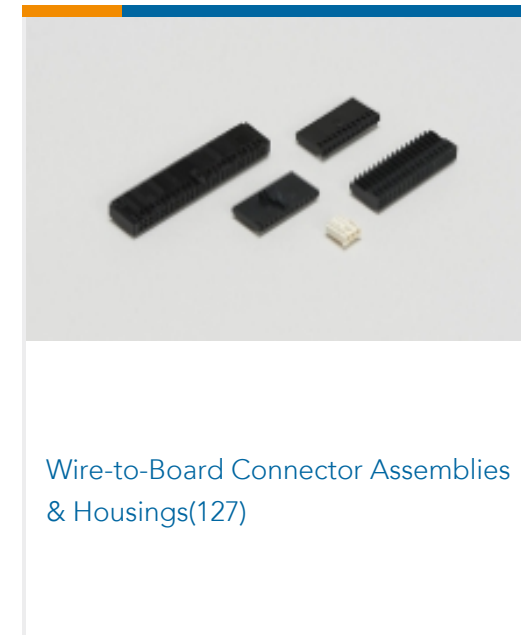
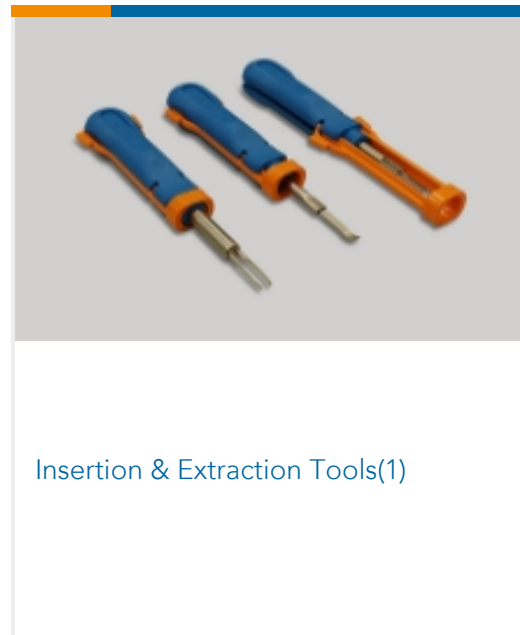
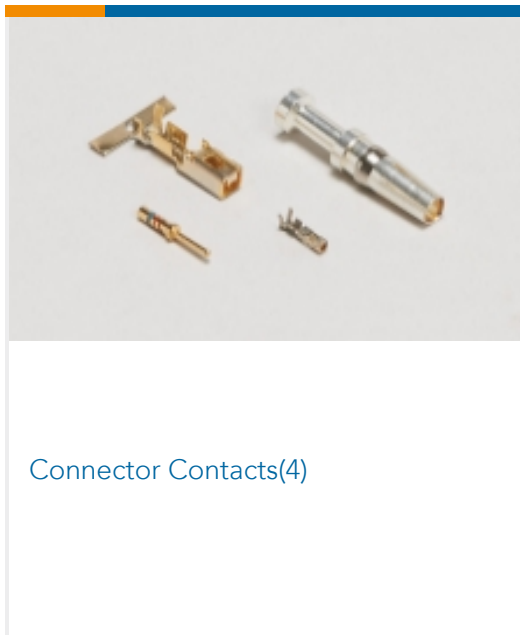
Product Compliance Disclaimer

This information is provided based on reasonable inquiry of our suppliers and represents our current actual knowledge based on the information they provided. This information is subject to change. The part numbers that TE has identified as EU RoHS compliant have a maximum concentration of 0.1% by weight in homogenous materials for lead, hexavalent chromium, mercury, PBB, PBDE, DBP, BBP, DEHP, DIBP, and 0.01% for cadmium, or qualify for an exemption to these limits as defined in the Annexes of Directive 2011/65/EU (RoHS2). Finished electrical and electronic equipment products will be CE marked as required by Directive 2011/65/EU. Components may not be CE marked. Additionally, the part numbers that TE has identified as EU ELV compliant have a maximum concentration of 0.1% by weight in homogenous materials for lead, hexavalent chromium, and mercury, and 0.01% for cadmium, or qualify for an exemption to these limits as defined in the Annexes of Directive 2000/53/EC (ELV). Regarding the REACH Regulation, the information TE provides on SVHC in articles for this part number is based on the latest European Chemicals Agency (ECHA) 'Guidance on requirements for substances in articles' posted at this URL: <https://echa.europa.eu/guidance-documents/guidance-on-reach>

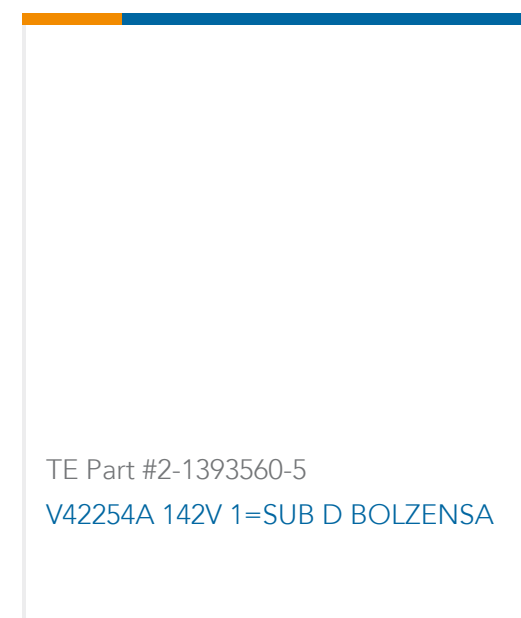
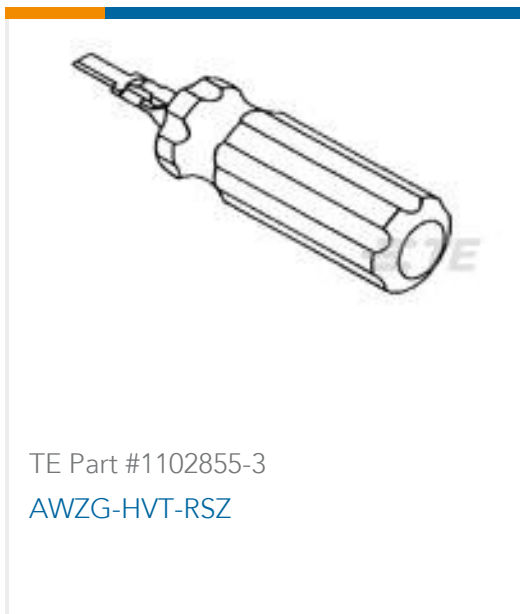
Compatible Parts



Also in the Series | AMPMODU HE 13/HE 14



Customers Also Bought





Documents

Product Drawings

[CONTACT REC HE13 COSI LOOSE PIECE](#)

English

[CONTACT REC HE13 COSI LOOSE PIECE](#)

English

CAD Files

[3D PDF](#)

English

Customer View Model

[ENG_CVM_182734-3_F.3d_igs.zip](#)

English

Customer View Model

[ENG_CVM_182734-3_F.3d_stp.zip](#)

English

Customer View Model

[ENG_CVM_182734-3_F.2d_dxf.zip](#)

English

By downloading the CAD file I accept and agree to the [Terms and Conditions](#) of use.

Product Specifications

[Application Specification](#)

English