

1-794220-0 ✓ ACTIVE

MATE-N-LOK | Mini-Universal MATE-N-LOK 2

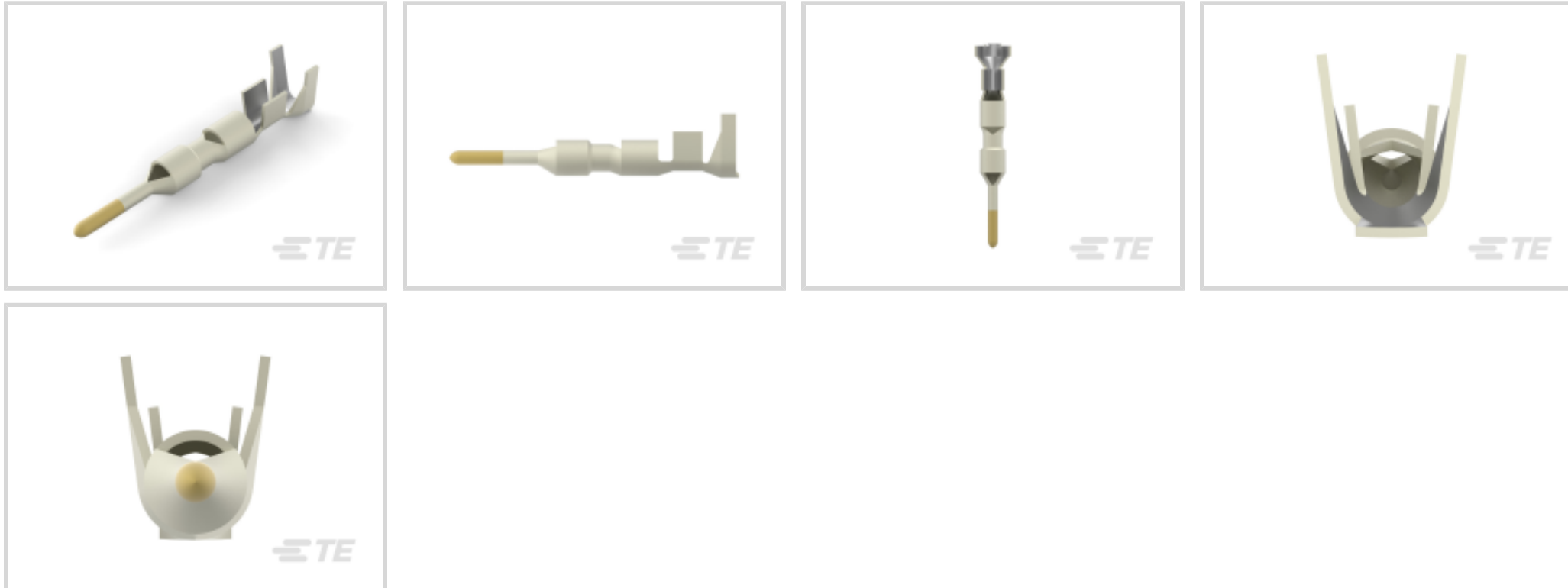
TE Internal #: 1-794220-0

Pin Contact, Gold, 600 VAC, 600 VDC, 22 – 18 AWG Wire Size, .3 – .9 mm² Wire Size, Crimp, Brass, Power, Mini-Universal MATE-N-LOK 2

[View on TE.com >](#)



Connectors > Contacts > Connector Contacts



Contact Type: **Pin**

Contact Mating Area Plating Material: **Gold**

Wire Contact Termination Area Plating Material: **Tin**

Operating Voltage: **600 VDC**

Features

Product Type Features

Discrete Wire Type Stranded

Electrical Characteristics

Operating Voltage 600 VDC

Contact Features

Mating Pin Diameter 1 mm[.039 in]

Contact Underplating Material Thickness 1.27 µm[50 µin]

Wire Contact Termination Area Plating Thickness 2.54 µm[100 µin]

Wire Contact Termination Area Plating Material Finish Matte

Contact Mating Area Plating Material Thickness .76 µm[30 µin]

Contact Orientation Straight

Contact Underplating Material Nickel

Contact Type Pin

Contact Mating Area Plating Material Gold

Wire Contact Termination Area Plating Material Tin

Contact Retention Within Housing Without



Contact Base Material	Brass
Contact Current Rating (Max)	10.5 A

Termination Features

Termination Method to Wire & Cable	Crimp
Product Terminates To	Wire & Cable

Mechanical Attachment

Wire Insulation Support	Without
-------------------------	---------

Dimensions

Compatible Insulation Diameter Range	1.5 – 2.39 mm [.059 – .094 in]
Wire Size	.3 – .9 mm ²

Usage Conditions

Operating Temperature Range	-20 – 105 °C [-4 – 221 °F]
-----------------------------	----------------------------

Operation/Application

Circuit Application	Power
---------------------	-------

Industry Standards

Compatible With Agency/Standards Products	CSA, UL
---	---------

Packaging Features

Packaging Quantity	4500
Packaging Method	Reel

Product Compliance

[For compliance documentation, visit the product page on TE.com>](#)

EU RoHS Directive 2011/65/EU	Compliant
EU ELV Directive 2000/53/EC	Compliant
China RoHS 2 Directive MIIT Order No 32, 2016	No Restricted Materials Above Threshold
EU REACH Regulation (EC) No. 1907/2006	Current ECHA Candidate List: JUNE 2023 (235) Candidate List Declared Against: JUNE 2023 (235) Does not contain REACH SVHC
Halogen Content	Low Halogen - Br, Cl, F, I < 900 ppm per homogenous material. Also BFR/CFR/PVC Free
Solder Process Capability	Not applicable for solder process capability

Product Compliance Disclaimer

This information is provided based on reasonable inquiry of our suppliers and represents our current actual knowledge based on the information they provided. This information is subject to change. The part numbers that TE has identified as EU RoHS compliant have a maximum concentration of 0.1% by weight in homogenous materials for lead, hexavalent chromium, mercury, PBB, PBDE, DBP, BBP, DEHP, DIBP, and 0.01% for cadmium, or qualify for an exemption to these limits as defined in the Annexes of Directive 2011/65/EU (RoHS2). Finished electrical and electronic equipment products will be CE marked as required by Directive 2011/65/EU. Components may not be CE marked. Additionally, the part numbers that TE has identified as EU ELV compliant have a maximum concentration of 0.1% by weight in homogenous materials for lead, hexavalent chromium, and mercury, and 0.01% for cadmium, or qualify for an exemption to these limits as defined in the Annexes of Directive 2000/53/EC (ELV). Regarding the REACH Regulation, the information TE provides on SVHC in articles for this part number is based on the latest European Chemicals Agency (ECHA) 'Guidance on requirements for substances in articles' posted at this URL: <https://echa.europa.eu/guidance-documents/guidance-on-reach>

Compatible Parts



TE Part # 91522-1
CCII MINI UNML PIN SKT 22-18 ASSY



TE Part # 90759-1
PROCRIMP TL W/DIE MIN UNIV MNL



TE Part # 794215-1
24P MINI UMNL2 CAP HSG UL94V0



TE Part # 794200-1
12P MINI UMNL2 PLUG HSG MATRIX



TE Part # 794198-1
12P MINI UMNL2 PLUG HSG DBLROW



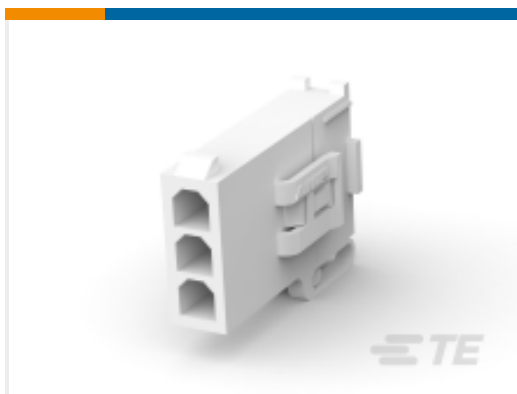
TE Part # 794210-1
20P MINI UMNL2 PLUG HSG UL94V0



TE Part # 794206-1
16P MINI UMNL2 PLUG HSG UL94V0



TE Part # 794194-1
09P MINI UMNL2 PLUG HSG UL94V0



TE Part # 794187-1
03P MINI UMNL2 CAP HSG UL94V0



TE Part # 794205-1
15P MINI UMNL2 CAP HSG UL94V0



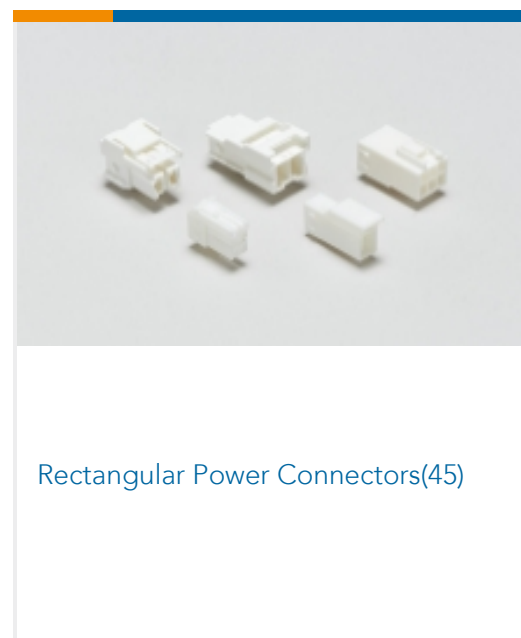
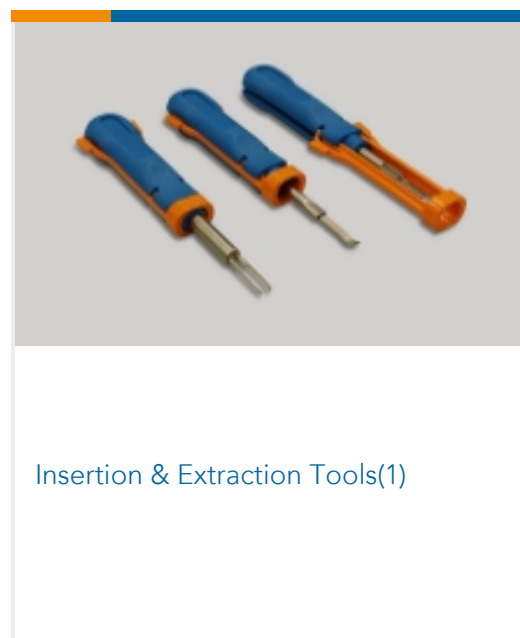
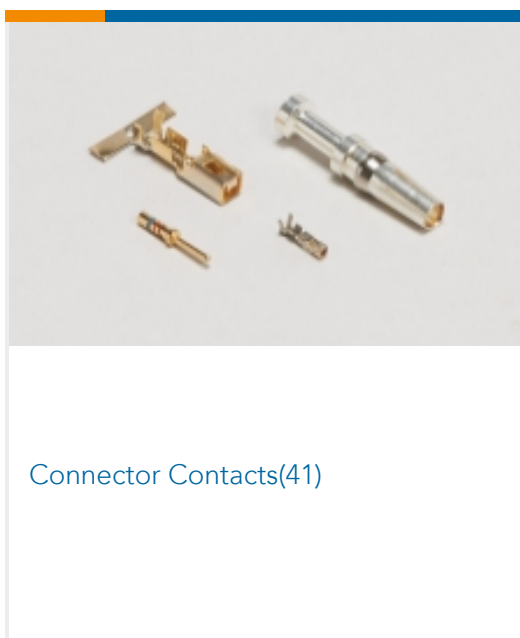
TE Part # 794191-1
06P MINI UMNL2 CAP HSG UL94V0



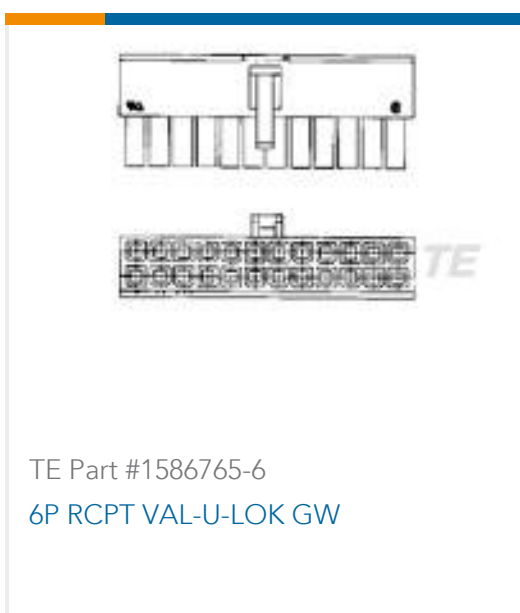
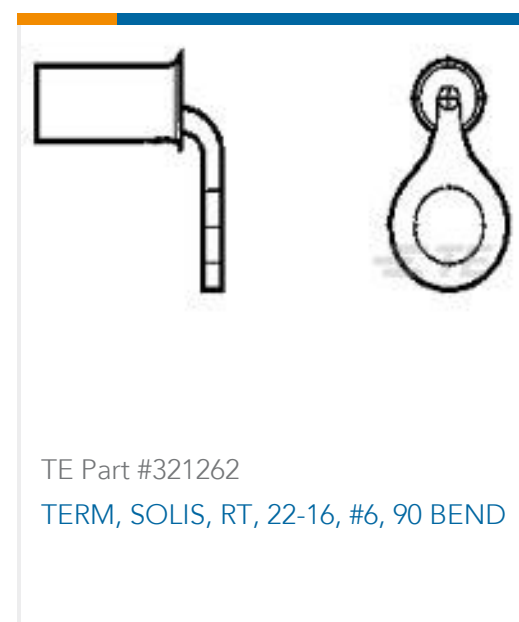
TE Part # 794196-1
10P MINI UMNL2 PLUG HSG UL94V0



Also in the Series | Mini-Universal MATE-N-LOK 2



Customers Also Bought





Documents

Product Drawings

[MINI UMNL2 PIN 22-18 AWG AU](#)

English

CAD Files

Customer View Model

[ENG_CVM_1-794220-0_F.3d_igs.zip](#)

English

Customer View Model

[ENG_CVM_1-794220-0_F.3d_stp.zip](#)

English

Customer View Model

[ENG_CVM_1-794220-0_F.2d_dxf.zip](#)

English

[3D PDF](#)

English

[3D PDF](#)

3D

Customer View Model

[ENG_CVM_CVM_1-794220-0_J.2d_dxf.zip](#)

English

Customer View Model

[ENG_CVM_CVM_1-794220-0_J.3d_igs.zip](#)

English

Customer View Model

[ENG_CVM_CVM_1-794220-0_J.3d_stp.zip](#)

English

By downloading the CAD file I accept and agree to the [Terms and Conditions](#) of use.

Datasheets & Catalog Pages

[SOFT_SHELL_PIN_AND_SOCKET_CONNECTORS_CATALOG](#)

English

Product Specifications

[Product Specification](#)

English

1-794220-0

Pin Contact, Gold, 600 VAC, 600 VDC, 22 – 18 AWG Wire Size, .3 – .9 mm² Wire Size,
Crimp, Brass, Power, Mini-Universal MATE-N-LOK 2

