



AMP

TE Internal #: 794000-1

Receptacle Contact, Tin, 250 VAC, 250 VDC, 26 – 24 AWG Wire Size, .12 – .2 mm<sup>2</sup> Wire Size, 236.823 – 394.705 CMA Wire Size, Crimp, Phosphor Bronze

[View on TE.com >](#)

Connectors > Contacts > Connector Contacts



Contact Type: **Receptacle**

Contact Mating Area Plating Material: **Tin**

Wire Contact Termination Area Plating Material: **Pre-Tin**

Operating Voltage: **250 VDC**

**Features**

**Product Type Features**

Sealable	No
----------	----

**Electrical Characteristics**

Operating Voltage	250 VDC
-------------------	---------

**Contact Features**

Contact Fabrication	Stamped & Formed
Mating Pin Diameter	1.96 mm[.077 in]
Wire Contact Termination Area Plating Thickness	3.3 μm[130 μin]
Wire Contact Termination Area Plating Material Finish	Matte
Contact Mating Area Plating Material Thickness	.4 μm[15.75 μin]
Contact Orientation	Straight
Contact Type	Receptacle
Contact Mating Area Plating Material	Tin
Wire Contact Termination Area Plating Material	Pre-Tin
Contact Retention Within Housing	With
Contact Base Material	Phosphor Bronze



Contact Current Rating (Max)	9 A
------------------------------	-----

### Termination Features

Termination Method to Wire & Cable	Crimp
Product Terminates To	Wire & Cable

### Mechanical Attachment

Wire Insulation Support	With
-------------------------	------

### Dimensions

Compatible Insulation Diameter Range	.64 – 1.27 mm [.025 – .05 in]
Wire Size	236.823 – 394.705 CMA

### Usage Conditions

Operating Temperature Range	-55 – 85 °C [-67 – 185 °F]
-----------------------------	----------------------------

### Operation/Application

Circuit Application	Power & Signal
---------------------	----------------

### Packaging Features

Packaging Method	Reel
------------------	------

## Product Compliance

[For compliance documentation, visit the product page on TE.com>](#)

EU RoHS Directive 2011/65/EU	Compliant
EU ELV Directive 2000/53/EC	Compliant
China RoHS 2 Directive MIIT Order No 32, 2016	No Restricted Materials Above Threshold
EU REACH Regulation (EC) No. 1907/2006	Current ECHA Candidate List: JUNE 2023 (235) Candidate List Declared Against: JUNE 2023 (235) Does not contain REACH SVHC
Halogen Content	Low Halogen - Br, Cl, F, I < 900 ppm per homogenous material. Also BFR/CFR/PVC Free
Solder Process Capability	Not applicable for solder process capability

#### Product Compliance Disclaimer

This information is provided based on reasonable inquiry of our suppliers and represents our current actual knowledge based on the information they provided. This information is subject to change. The part numbers that TE has identified as EU RoHS compliant have a maximum concentration of 0.1% by weight in homogenous materials for lead, hexavalent chromium, mercury, PBB, PBDE, DBP, BBP, DEHP, DIBP, and 0.01% for cadmium, or qualify for an exemption to these

limits as defined in the Annexes of Directive 2011/65/EU (RoHS2). Finished electrical and electronic equipment products will be CE marked as required by Directive 2011/65/EU. Components may not be CE marked. Additionally, the part numbers that TE has identified as EU ELV compliant have a maximum concentration of 0.1% by weight in homogenous materials for lead, hexavalent chromium, and mercury, and 0.01% for cadmium, or qualify for an exemption to these limits as defined in the Annexes of Directive 2000/53/EC (ELV). Regarding the REACH Regulation, the information TE provides on SVHC in articles for this part number is based on the latest European Chemicals Agency (ECHA) 'Guidance on requirements for substances in articles' posted at this URL: <https://echa.europa.eu/guidance-documents/guidance-on-reach>

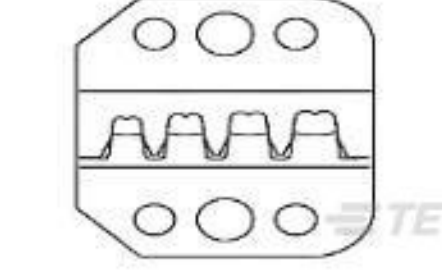
## Compatible Parts



TE Part # 2063388-1  
TOOL, EXTRACTION



TE Part # 58514-1  
PROCRIMP TL W/DIE MR26-18



TE Part # 58514-2  
PROCRIMP DIE MR26-18



TE Part # 91534-1  
CCII MR PIN REC 26-24 ASSY



TE Part # 2837099-1  
OCEAN-2.0-APPLICATOR-S-055F070F



TE Part # 2837099-2  
OCEAN-2.0-APPLICATOR-S-055F070F



TE Part # 7-2837099-1  
OCEAN-2.0-APPLICATOR-S-055F070F



TE Part # 7-2837099-2  
OCEAN-2.0-APPLICATOR-S-055F070F



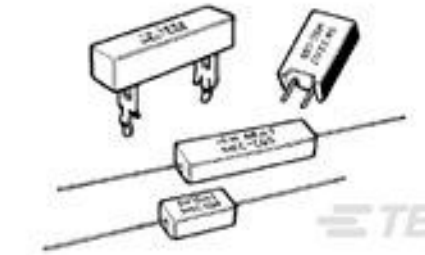
**KIT**  
REPRESENTATION ONLY

TE Part # 7-2837099-7  
OCEAN\_2.0\_SPARE\_PART\_KIT-055F070F

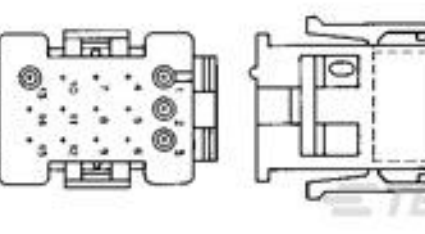


TE Part # 466352-2  
HDM SMPR055F070FK

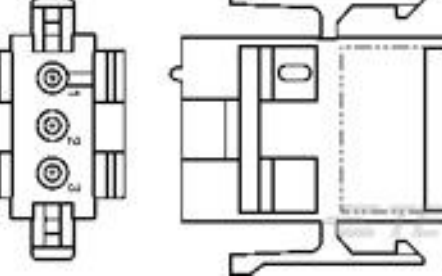
## Customers Also Bought



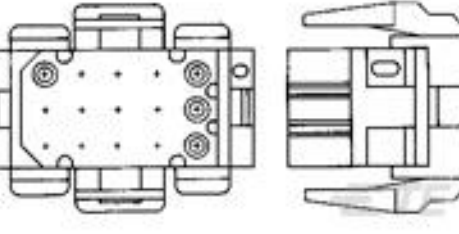
TE Part #1623789-9  
SQM7 22R 5% (WIRE)



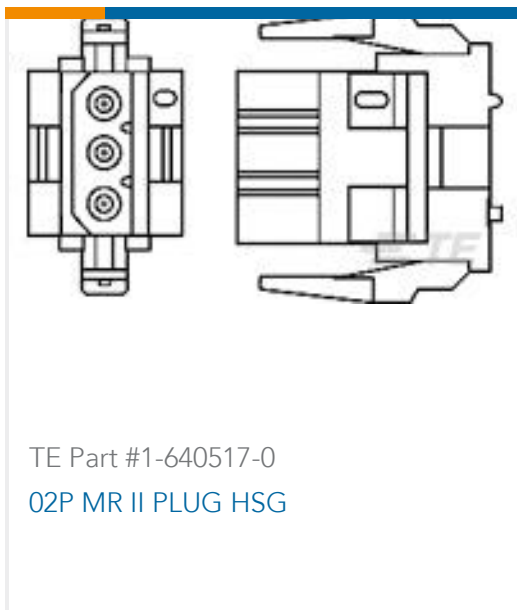
TE Part #1-640509-0  
04P MR II CAP HSG V0



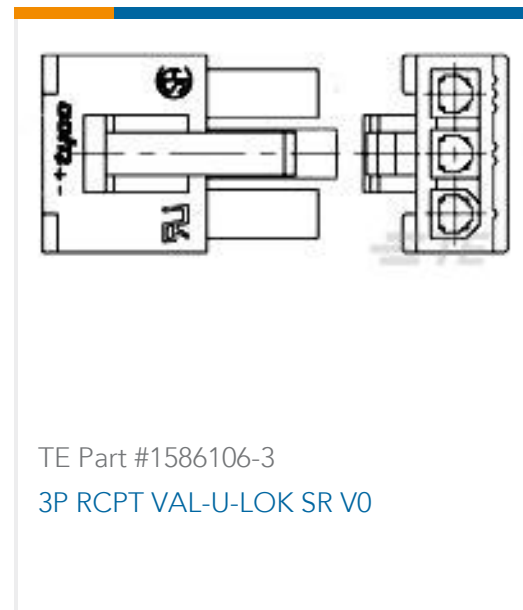
TE Part #1-640508-0  
03P MR II CAP HSG V0



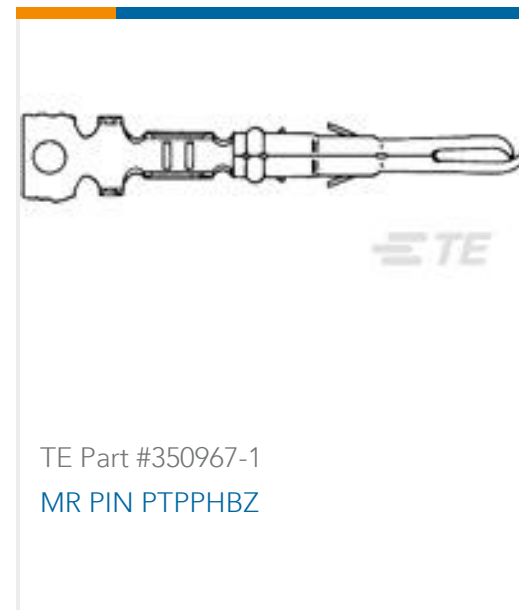
TE Part #1-640519-0  
04P MR II PLUG HSG



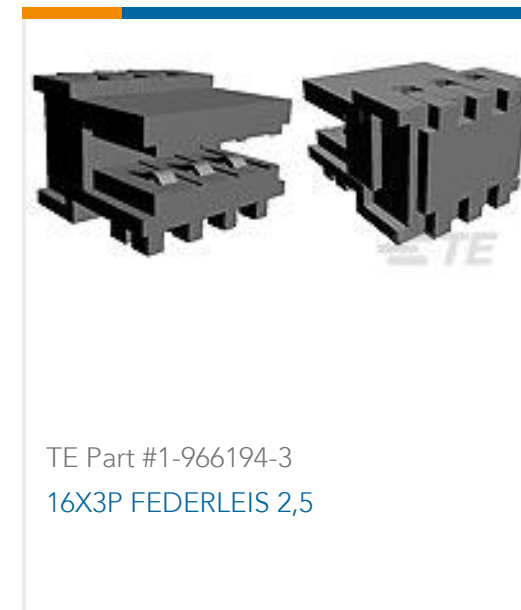
TE Part #1-640517-0  
02P MR II PLUG HSG



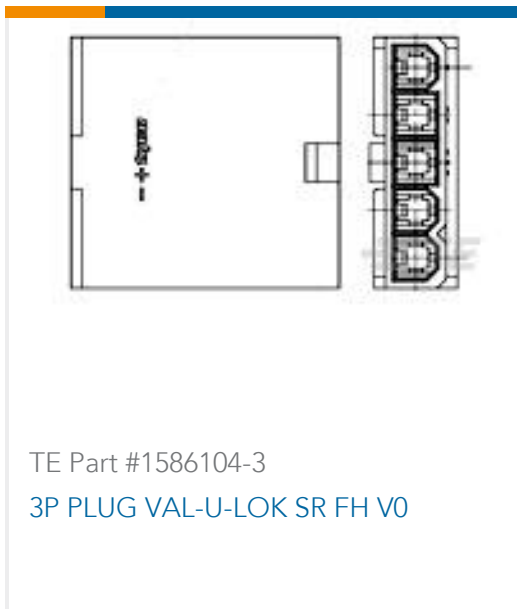
TE Part #1586106-3  
3P RCPT VAL-U-LOK SR V0



TE Part #350967-1  
MR PIN PTPPHBZ



TE Part #1-966194-3  
16X3P FEDERLEIS 2,5



TE Part #1586104-3  
3P PLUG VAL-U-LOK SR FH V0

## Documents

### Product Drawings

#### MR RECEPTACLE PTPPHBZ

English

### CAD Files

#### 3D PDF

English

#### Customer View Model

[ENG\\_CVM\\_794000-1\\_O.3d\\_igs.zip](#)

English

#### Customer View Model

[ENG\\_CVM\\_794000-1\\_O.3d\\_stp.zip](#)

English

#### Customer View Model

[ENG\\_CVM\\_794000-1\\_O.2d\\_dxf.zip](#)

English

#### 3D PDF

3D

#### Customer View Model

[ENG\\_CVM\\_CVM\\_794000-1\\_E.2d\\_dxf.zip](#)

English

#### Customer View Model

[ENG\\_CVM\\_CVM\\_794000-1\\_E.3d\\_igs.zip](#)

English

#### Customer View Model

[ENG\\_CVM\\_CVM\\_794000-1\\_E.3d\\_stp.zip](#)

English



By downloading the CAD file I accept and agree to the [Terms and Conditions](#) of use.

### Datasheets & Catalog Pages

[SOFT\\_SHELL\\_PIN\\_AND\\_SOCKET\\_CONNECTORS\\_CATALOG](#)

English

### Product Specifications

[Application Specification](#)

English