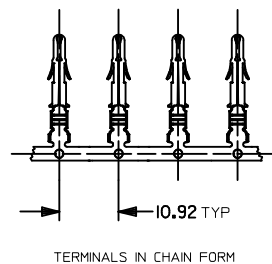
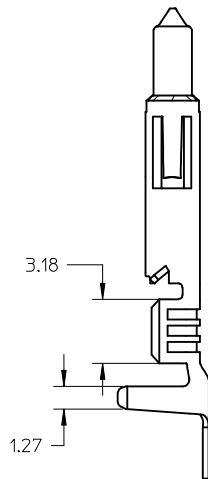
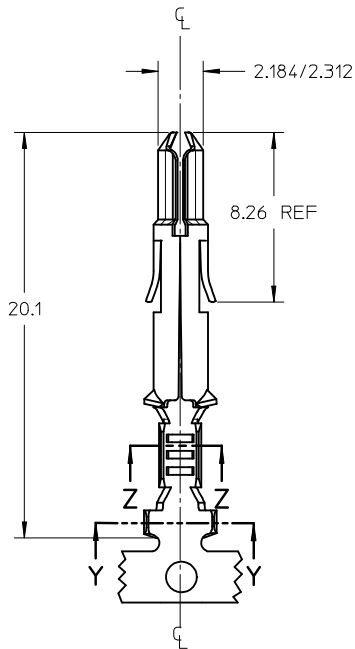


SECTION Z-Z
CONDUCTOR CRIMP AREA

SECTION Y-Y
INSULATION CRIMP AREA



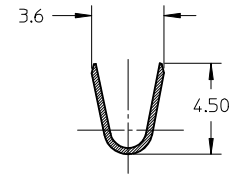
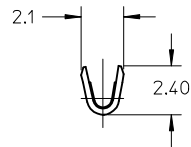
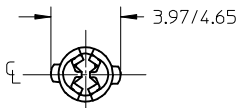
SPLIT PIN TERMINAL

NOTES:

- PIN TERMINALS FOR USE WITH 2.13 DIA SERIES HOUSINGS:
PLUG(42021-**)
CAP (42022-**)
- PIN TERMINALS MATE WITH 42024 SOCKET TERMIANLS 2.13 DIA SERIES
- TERMINALS FINISHED IN CHAIN FORM
- MATERIAL: 0.30 THICK STRIP:
A= BRASS, #C26000 PER SMES-124-E7
B= PHOSPHOR BRONZE, #C51000 PER SMES-124-E7
- FINISH:
HOT TIN DIP 20 m.l./0.51 microns MIN PER SDES-88-P901
- WIRE RANGE: 18-20AWG COVERS UL 1015, UL 1007, & UL 1569.
- PRODUCT SPECIFICATION: PS-42022-0001

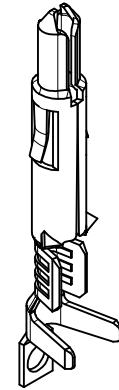
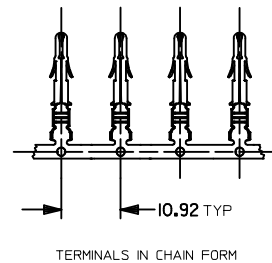
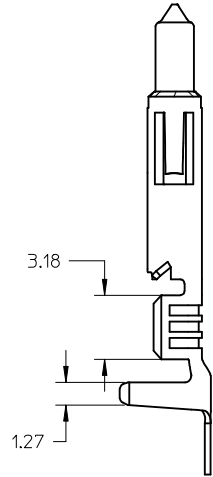
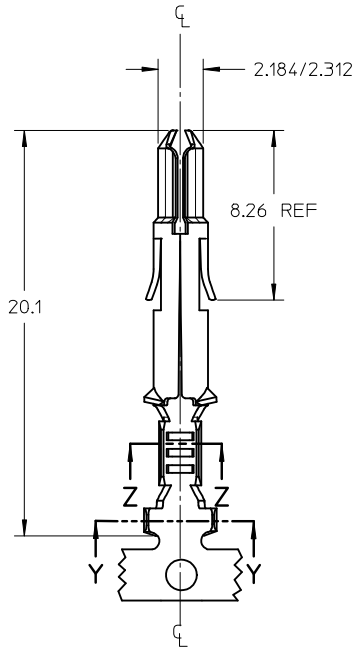
| PART NO | FINISH | MATERIAL | WIRE SIZE | INSULATION DIA RANGE |
|------------|------------|----------|-----------|----------------------|
| 42023-2013 | ES-88-P901 | C26000 | 18-20 AWG | 1.65-2.95 MM |
| 42023-2014 | ES-88-P901 | C51000 | 18-20 AWG | 1.65-2.95 MM |

| | | | | | | | | |
|---|--------------------|-------------------------------|--|---|--------------|--|------------------------|-----------|
| NOTES UPDATED EC NO: I2014-0044 DRWN:SS06 CHKD: APPR: ISHWARG 2013/11/08 2013/12/02 | DESCRIPTION REV | QUALITY SYMBOLS | GENERAL TOLERANCES (UNLESS SPECIFIED) | DIMENSION STYLE MM ONLY | SCALE 4:1 | DESIGN UNITS METRIC | THIRD ANGLE PROJECTION | |
| | | $F_A=0$ $F_G=0$ $F_P=0$ | mm INCH 4 PLACES ± --- ± --- 3 PLACES ± --- ± --- 2 PLACES ± 0.25 ± --- 1 PLACE ± 0.38 ± --- 0 PLACE ± --- ± --- | DRAWN BY DATE SS06 2013/10/29 CHECKED BY DATE | TITLE | MLX TERMINAL SPLIT PIN, 18-20 AWG, 2.13 DIA SERIES molex SD-42023-001 | DOCUMENT NO. | SHEET NO. |
| | | | ANGULAR ± 1 ° | APPROVED BY DATE ISHWARG 2013/11/06 | SEE TABLE | | | |
| | | | DRAFT WHERE APPLICABLE MUST REMAIN WITHIN DIMENSIONS | MATERIAL NO. | | | | |
| | | SIZE A3 | | | | | | |
| | | | | THIS DRAWING CONTAINS INFORMATION THAT IS PROPRIETARY TO MOLEX INCORPORATED AND SHOULD NOT BE USED WITHOUT WRITTEN PERMISSION | | | | |



SECTION Z-Z
CONDUCTOR CRIMP AREA

SECTION Y-Y
INSULATION CRIMP AREA



SPLIT PIN TERMINAL

NOTES:

- PIN TERMINALS FOR USE WITH 2.13 DIA SERIES HOUSINGS:
PLUG(42021-**)
CAP (42022-**)
- PIN TERMINALS MATE WITH 42024 SOCKET TERMIANLS 2.13 DIA SERIES
- TERMINALS FINISHED IN CHAIN FORM
- MATERIAL: 0.30 THICK STRIP:
A= BRASS, #C26000 PER SMES-124-E7
B= PHOSPHOR BRONZE, #C51000 PER SMES-124-E7
- FINISH:
HOT TIN DIP 20 m.l/0.51 microns MIN PER SDES-88-P901
- WIRE RANGE: 18-20AWG COVERS UL 1015, UL 1007, & UL 1569.
- PRODUCT SPECIFICATION: PS-42022-0001

| PART NO | FINISH | MATERIAL | WIRE SIZE | INSULATION DIA RANGE |
|------------|------------|----------|-----------|----------------------|
| 42023-2013 | ES-88-P901 | C26000 | 18-20 AWG | 1.65-2.95 MM |
| 42023-2014 | ES-88-P901 | C51000 | 18-20 AWG | 1.65-2.95 MM |

| | | | | | | | |
|---|--------------------|--|--|---|-------|--------------|---|
| NOTES UPDATED EC NO: 12014-0044 DRWN:SS06 CHKD: APPR: ISHWARG 2013/11/08 2013/12/02 | DESCRIPTION REV | QUALITY SYMBOLS | GENERAL TOLERANCES (UNLESS SPECIFIED) | DIMENSION STYLE | SCALE | DESIGN UNITS | THIRD ANGLE PROJECTION |
| | | $F_A=0$ $F_G=0$ $F_P=0$ | mm INCH 4 PLACES ± --- ± --- 3 PLACES ± --- ± --- 2 PLACES ± 0.25 ± --- 1 PLACE ± 0.38 ± --- 0 PLACE ± --- ± --- | MM ONLY | 4:1 | METRIC | TITLE MLX TERMINAL SPLIT PIN, 18-20 AWG, 2.13 DIA SERIES molex DOCUMENT NO. SD-42023-001 SHEET NO. 1 OF 1 |
| | | DRAFT WHERE APPLICABLE MUST REMAIN WITHIN DIMENSIONS | DRAWN BY: SS06 DATE: 2013/10/29 CHECKED BY: DATE: | APPROVED BY: ISHWARG DATE: 2013/11/06 MATERIAL NO. SEE TABLE | | | |
| | | ANGULAR ± 1 ° | THIS DRAWING CONTAINS INFORMATION THAT IS PROPRIETARY TO MOLEX INCORPORATED AND SHOULD NOT BE USED WITHOUT WRITTEN PERMISSION | | | | |