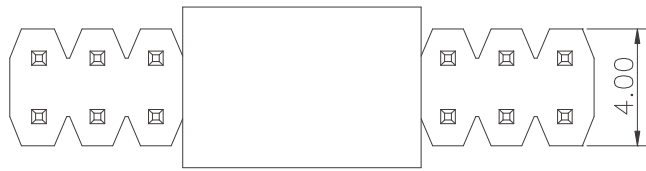
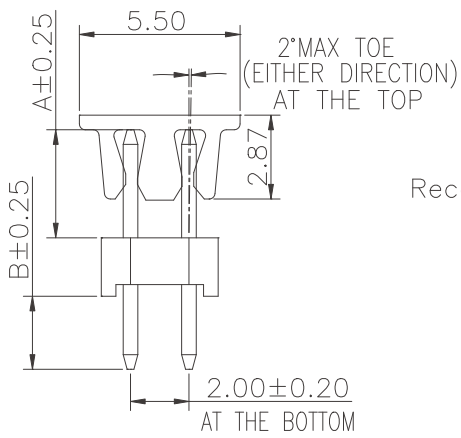
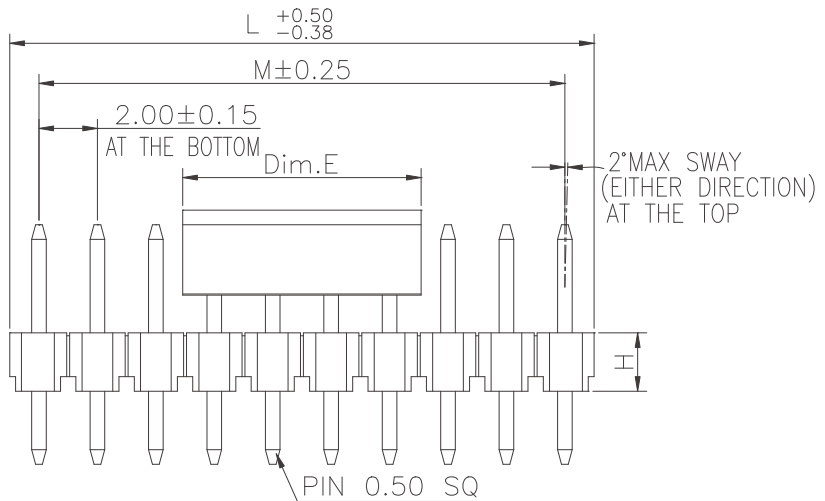


1 2 3 4 5 6 7 8 9

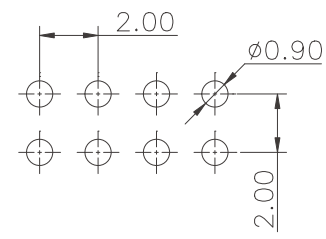


Specifications  
 Current Rating:2.0Amp  
 Insulation Resistance:1000MΩMin.  
 Dielectric Withstanding Voltage:500VAC  
 Contact Resistance:20mΩMax.  
 Operating Temperature:-40°C to +105°C  
 Materials  
 Contact Material:  
 Brass(Pin length less than 25mm)  
 Phosphor Bronze(The total length of pin is more than 25mm)  
 Insulator Material:  
 PBT(Not resistant to high temperature),  
 Nylon(High temperature resistance),  
 LCP(High temperature resistance),  
 UL 94V-0  
 All materials must meet Greenconn hazardous substances control standards.

Dim.E	NOTE
4.00mm	02PIN
5.00mm	03~08PIN
8.16mm	09~40PIN



Recommended P.C.Board Layout  
 (Tolerance:±0.05)



No. of PIN/ROW	Dimension Information	
	M	L
02	2.00	4.00
03	4.00	6.00
04	6.00	8.00
05	8.00	10.00
06	10.00	12.00
07	12.00	14.00
08	14.00	16.00
09	16.00	18.00
10	18.00	20.00
11	20.00	22.00
12	22.00	24.00
13	24.00	26.00
14	26.00	28.00
15	28.00	30.00
16	30.00	32.00
17	32.00	34.00
18	34.00	36.00
19	36.00	38.00
20	38.00	40.00
21	40.00	42.00
22	42.00	44.00
23	44.00	46.00
24	46.00	48.00
25	48.00	50.00
26	50.00	52.00
27	52.00	54.00
28	54.00	56.00
29	56.00	58.00
30	58.00	60.00
31	60.00	62.00
32	62.00	64.00
33	64.00	66.00
34	66.00	68.00
35	68.00	70.00
36	70.00	72.00
37	72.00	74.00
38	74.00	76.00
39	76.00	78.00
40	78.00	80.00

Ordering Information

G PFA2XX - XX XX A XXX C  
 Plastic specifications  
 1=Single row  
 2=Dual row  
 3=Tripe row  
 4=Quadruple  
 Water code  
 01:H=2.00  
 02:H=1.50  
 Positioning column information  
 A=No locating post  
 B=Round post  
 C=Square post  
 Pin length  
 See the drawing  
 Plating code  
 01=Tin  
 02=Gold Flash  
 05=Gold Flash/Tin  
 22=Matte Tin  
 No. of Pins per Row  
 02~40  
 Insulator Material  
 A=PBT  
 R=Nylon(Halogen Free)  
 C=LCP  
 Color  
 1=Black  
 2=White  
 3=Yellow  
 E=Beige  
 Contact Material  
 A/S/K/T=Phosphor Bronze  
 B/Z/H/W=Brass  
 Packing code  
 A=Box  
 B=Tray  
 C=Tube  
 D=Tape&Reel  
 E=Cap+Tube  
 F=Cap+Tape&Reel  
 G=Acetate Tape+Tube  
 H=Acetate Tape+Tape&Reel

格稜股份有限公司  
 Greenconn Corporation

GENERAL TOLERANCE	
X.*±5.0°	X.±0.30
.X*±3.0°	.X±0.25
.XX*±2.0°	.XX±0.15
.XXX*±1.0°	.XXX±0.10

DWG. NO.	GPFA2XX-CAXX
PART NO.	GPFA2XX-XX XX AXXX X1XX

TITLE.  
 2.00 PIN HEADER  
 DUAL ROWS DIP TYPE  
 CONNECTOR

REV.	UNIT.	SCALE.	PAGE.	
01	mm	4:1	1/1	

1 2 3 4 5 6 7 8 9