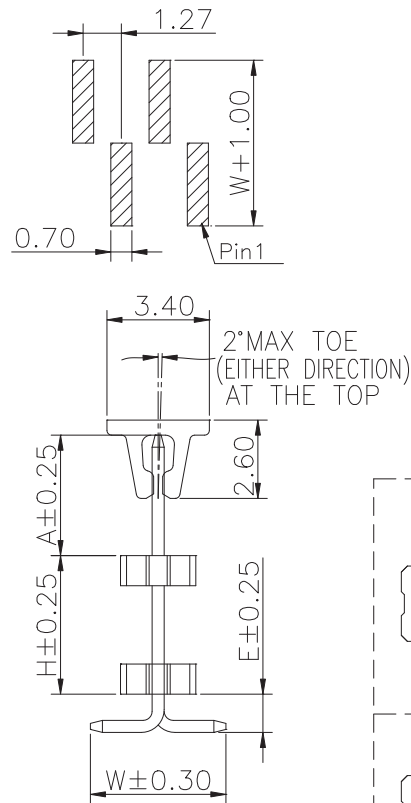


Recommended P.C.Board
Layout
(Tolerance:±0.05)



Specifications
Current Rating:1.0Amp
Insulation Resistance:1000MΩMin.
Dielectric Withstanding Voltage:300VAC
Contact Resistance:20mΩMax.
Operating Temperature:-40°C to +105°C
Materials
Contact Material:Brass
Insulator Material:High Temperature Thermoplastic, UL 94V-0 LCP or the equivalent material
All materials must meet Greenconn hazardous substances control standards.

| No. of PIN/ROW | Dimension Information | |
|----------------|-----------------------|-------|
| | L | M |
| 02 | 2.54 | 1.27 |
| 03 | 3.81 | 2.54 |
| 04 | 5.08 | 3.81 |
| 05 | 6.35 | 5.08 |
| 06 | 7.62 | 6.35 |
| 07 | 8.89 | 7.62 |
| 08 | 10.16 | 8.89 |
| 09 | 11.43 | 10.16 |
| 10 | 12.70 | 11.43 |
| 11 | 13.97 | 12.70 |
| 12 | 15.24 | 13.97 |
| 13 | 16.51 | 15.24 |
| 14 | 17.78 | 16.51 |
| 15 | 19.05 | 17.78 |
| 16 | 20.32 | 19.05 |
| 17 | 21.59 | 20.32 |
| 18 | 22.86 | 21.59 |
| 19 | 24.13 | 22.86 |
| 20 | 25.40 | 24.13 |
| 21 | 26.67 | 25.40 |
| 22 | 27.94 | 26.67 |
| 23 | 29.21 | 27.94 |
| 24 | 30.48 | 29.21 |
| 25 | 31.75 | 30.48 |
| 26 | 33.02 | 31.75 |
| 27 | 34.29 | 33.02 |
| 28 | 35.56 | 34.29 |
| 29 | 36.83 | 35.56 |
| 30 | 38.10 | 36.83 |
| 31 | 39.37 | 38.10 |
| 32 | 40.64 | 39.37 |
| 33 | 41.91 | 40.64 |

Ordering Information

G PEC132 - XX XX A XXX C 1 Z X

Plastic specifications
1=Single row
2=Dual row
3=Tripe row
4=Quadruple

Water code
No. of Pins per Row
02~33

Positioning column information
A=No locating post
B=Round post
C=Square post

Pin length
See the drawing

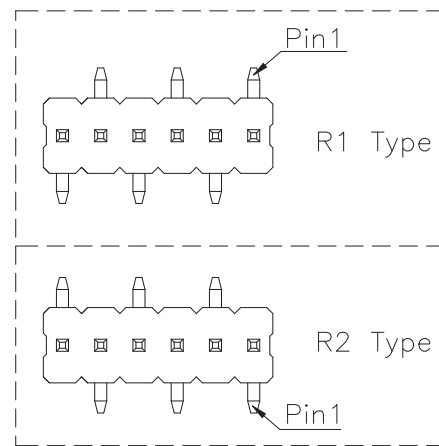
Plating code
01=Tin
02=Gold Flash
05=Gold Flash/Tin
22=Matte Tin

Insulator Material
R=Nylon(Halogen Free)
C=LCP

Color
1=Black
2=White
3=Yellow
E=Beige

Contact Material
A/S/K/T=Phosphor Bronze
B/Z/H/W=Brass

Packing code
A=Box
B=Tray
C=Tube
D=Tape&Reel
E=Cap+Tube
F=Cap+Tape&Reel
G=Acetate Tape+Tube
H=Acetate Tape+Tape&Reel



格稜股份有限公司
Greenconn Corporation

GENERAL TOLERANCE

| REV. | UNIT. | SCALE. | PAGE. |
|------|-------|--------|-------|
| 01 | mm | 4:1 | 1/1 |

| | |
|------------|-----------|
| X.°±5.0° | X.±0.30 |
| .X°±3.0° | .X±0.25 |
| .XX°±2.0° | .XX±0.15 |
| .XXX°±1.0° | .XXX±0.10 |

DWG. NO.

GPEC132-CAXX

PART NO.

GPEC132-XX XX AXXXC1ZX

TITLE.

1.27 PIN HEADER
BOARD SPACER SINGLE
CONNECTOR