

# Customer Information Sheet

DRAWING No.: S7121-42R

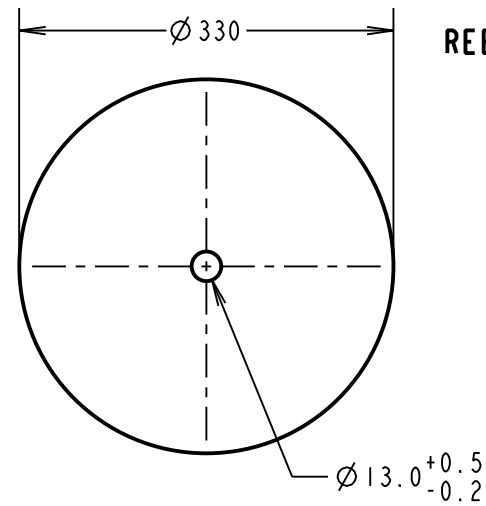
IF IN DOUBT - ASK

©

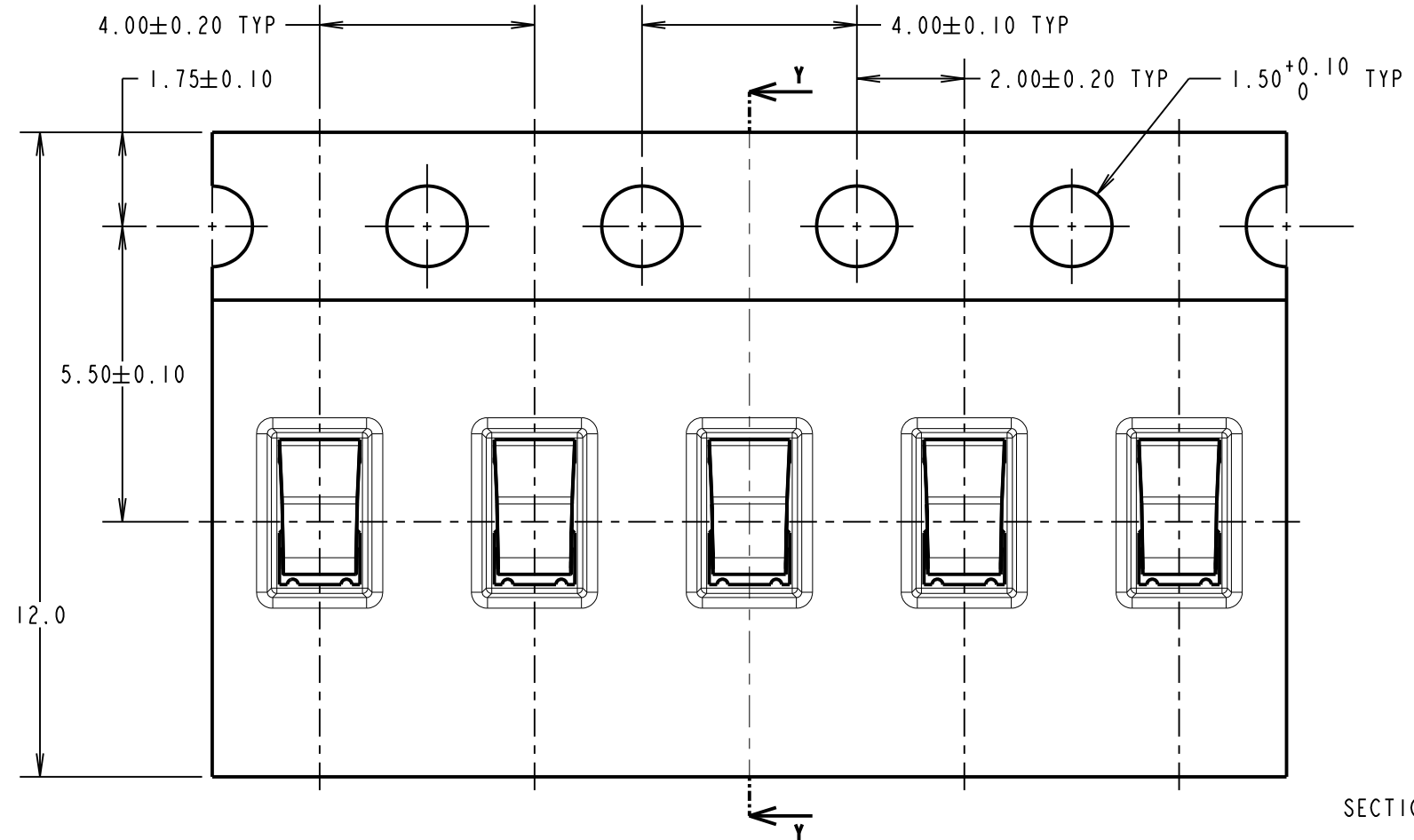
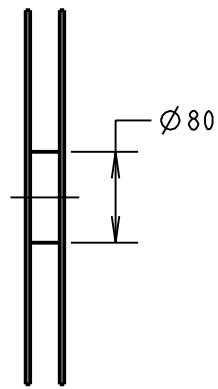
NOT TO SCALE

THIRD ANGLE PROJECTION

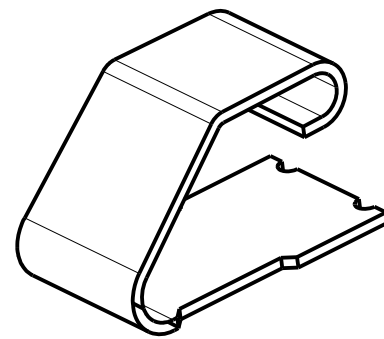
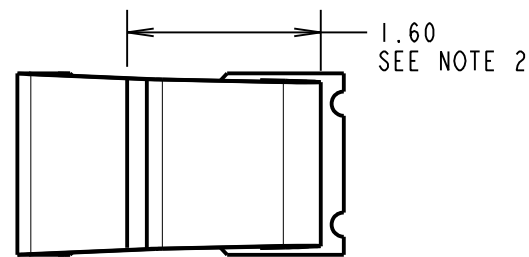
ALL DIMENSIONS IN mm



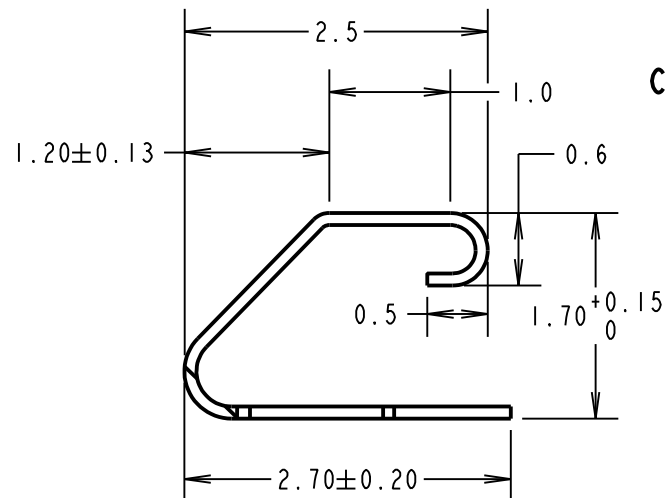
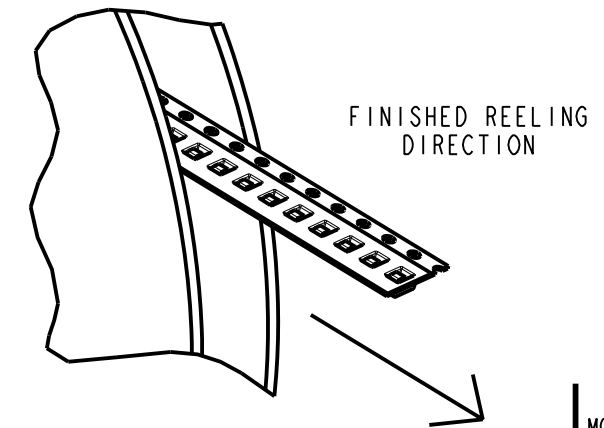
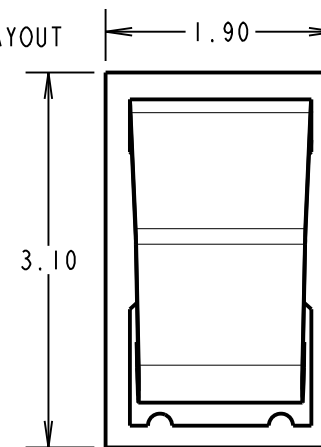
REEL DETAILS



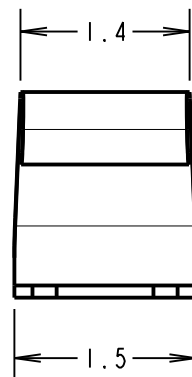
SECTION Y-Y



RECOMMENDED PAD LAYOUT



COMPONENT DETAILS



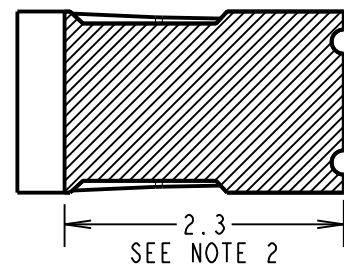
**COMPONENT SPECIFICATION:**

MATERIAL = TITANIUM COPPER ALLOY,  
0.10mm THICK  
FINISH = 0.7µm-1.3µm NICKEL, GOLD FLASH  
ON CONTACT AREAS.  
RECOMMENDED WORKING HEIGHT = 1.50mm / MIN FORCE = 1.2N  
RECOMMENDED MINIMUM WORKING HEIGHT = 1.20mm  
ELECTRICAL:  
CURRENT RATING = 4A  
MECHANICAL:  
DURABILITY = 3000 CYCLES  
ENVIRONMENTAL:  
OPERATING TEMPERATURE = -55°C TO +125°C

**NOTES:**

1. QUANTITY PER REEL = 5000.
2. GOLD PLATED AREA.
3. ALL TOLERANCES ARE: X.X = ±0.30mm  
X.XX = ±0.15mm  
UNLESS OTHERWISE STATED.

MGP	8	11.01.22	31219
NAME	ISS.	DATE	CN/CO
APPROVED: MGP			
CHECKED: MR			
DRAWN: R.ADDE			
CUSTOMER REF.:			
ASSEMBLY DRG:			



**HARWIN**

www.harwin.com  
technical@harwin.com

THIS DRAWING AND ANY INFORMATION OR DESCRIPTIVE MATTER SET OUT HEREON ARE CONFIDENTIAL AND COPYRIGHT PROPERTY OF THE HARWIN GROUP AND MUST NOT BE DISCLOSED, LOANED, COPIED OR USED FOR MANUFACTURING, TENDERING OR FOR ANY OTHER PURPOSE WITHOUT THEIR WRITTEN PERMISSION.

**TOLERANCES**  
X = ±1mm  
X.X = ±0.50mm  
X.XX = ±0.20mm  
X.XXX = ±0.01mm  
ANGLES = ±5°  
UNLESS STATED

**MATERIAL:** SEE ABOVE  
**FINISH:** SEE ABOVE  
**S/AREA:** mm<sup>2</sup>

**TITLE:** SMT SHIELD FINGER (1.7mm) IN TAPE AND REEL  
**DRAWING NUMBER:** S7121-42R  
SHT 2 OF 2