

Customer Information Sheet

DRAWING No.: S1721-46R

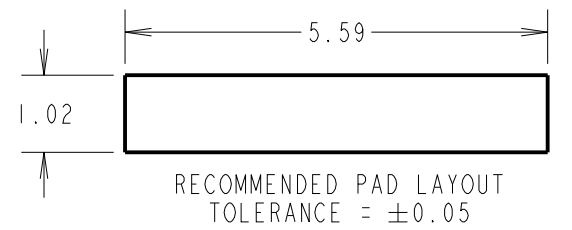
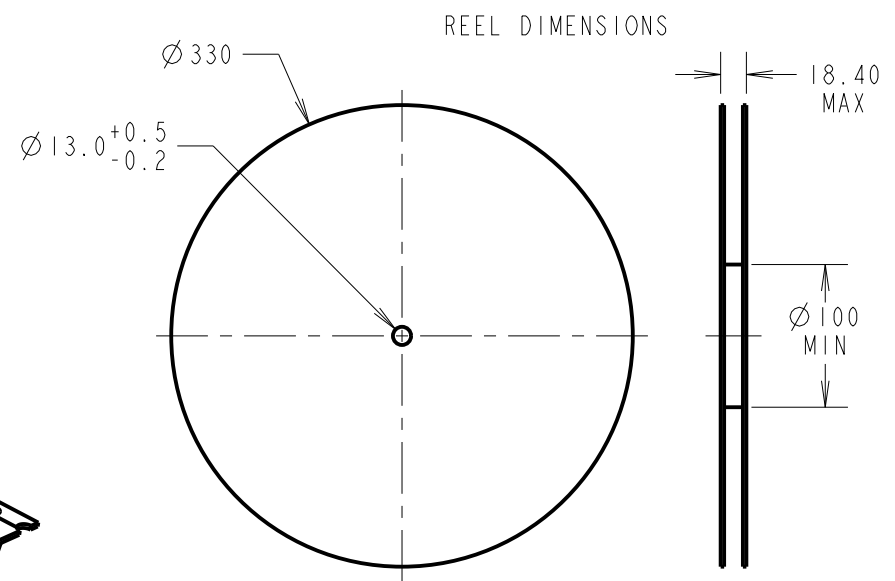
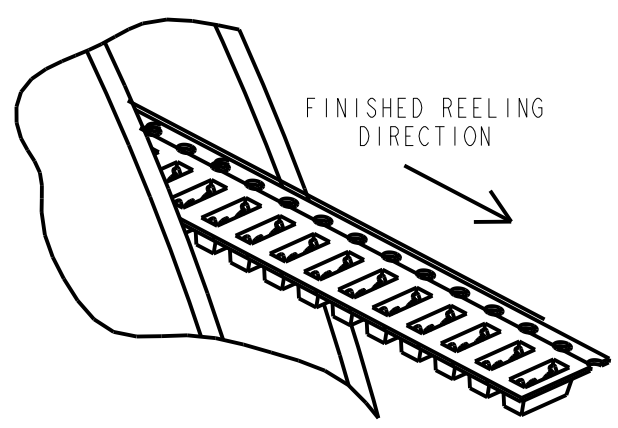
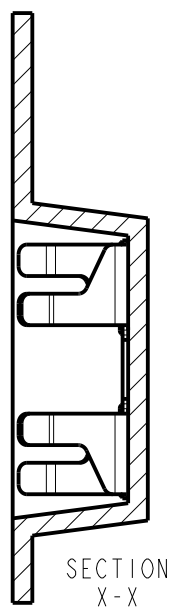
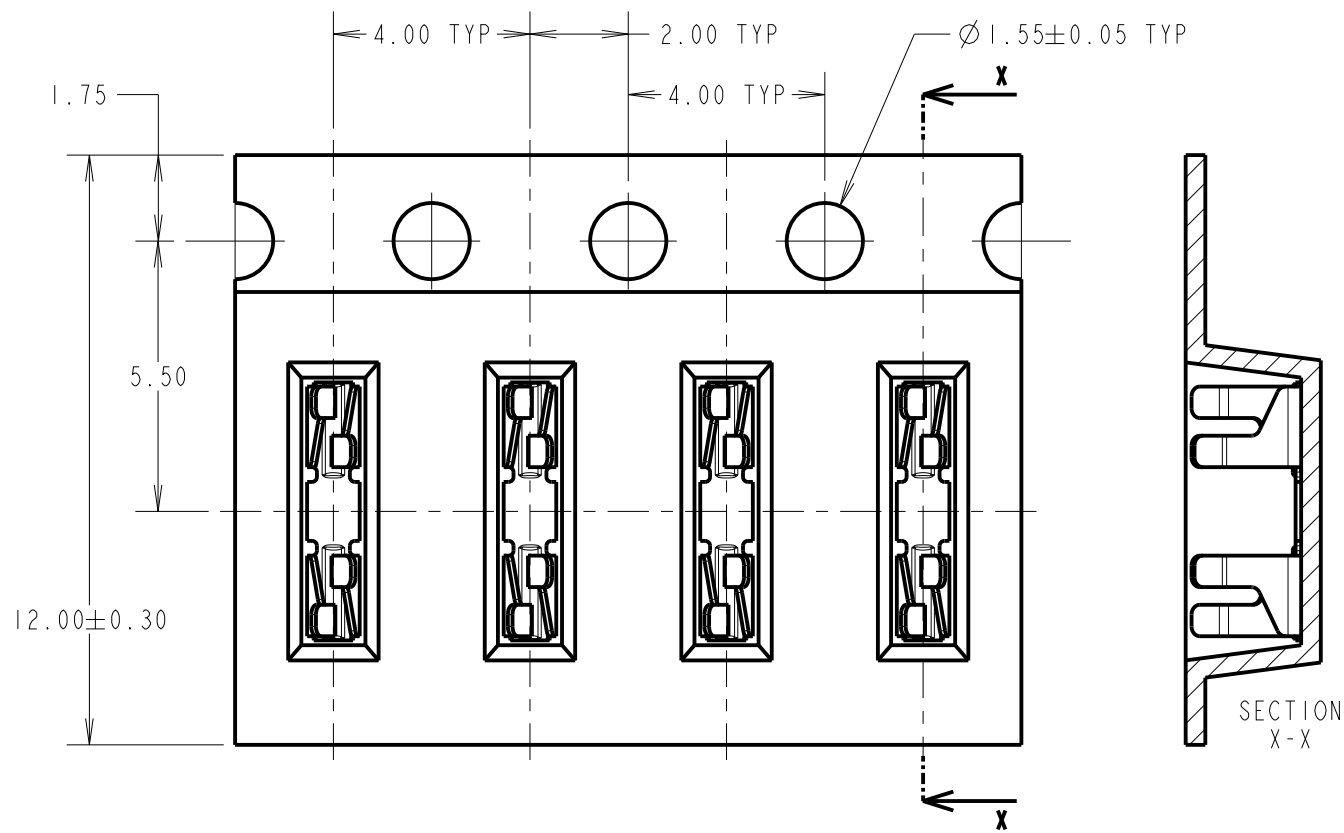
IF IN DOUBT - ASK

©

NOT TO SCALE

THIRD ANGLE PROJECTION

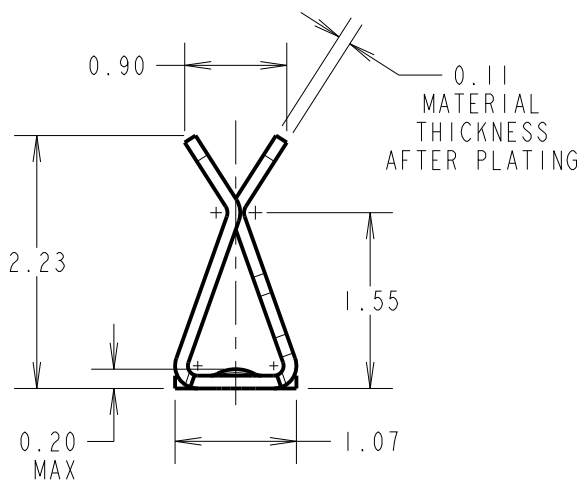
ALL DIMENSIONS IN mm



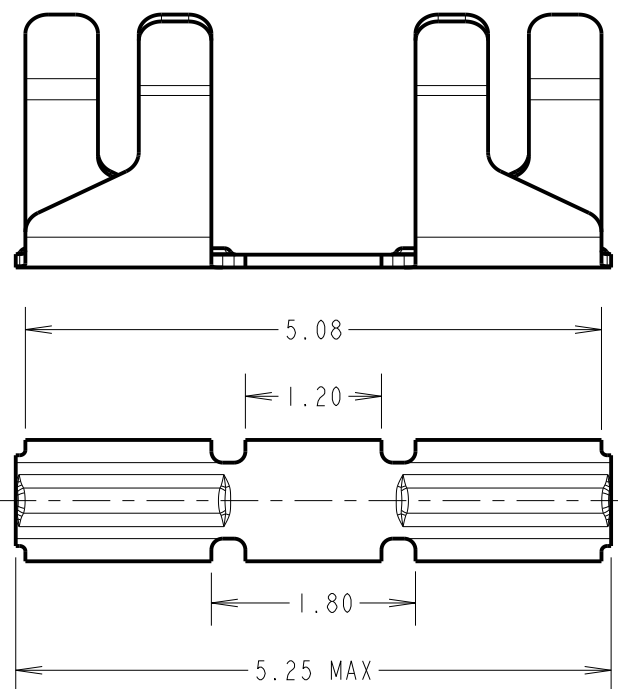
NOTES:
 1. QUANTITY PER REEL = 5,000
 2. THIS PRODUCT IS TAPED AND GENERALLY REELED IN ACCORDANCE WITH EIA-481 (ELECTRONIC INDUSTRIES ASSOCIATION).

COMPONENT SPECIFICATION:
 MATERIAL = BERYLLIUM COPPER
 FINISH = 2.4-3.6µm 100% TIN, OVER
 2.0-4.0µm NICKEL
 SHIELD THICKNESS = 0.13-0.23mm
 ENVIRONMENTAL:
 OPERATING TEMPERATURE = -40°C TO +125°C

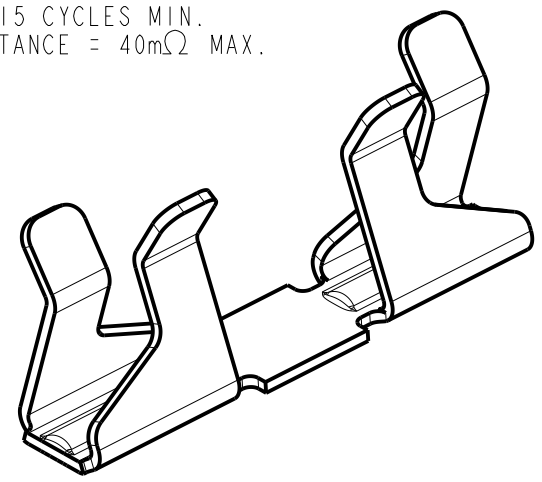
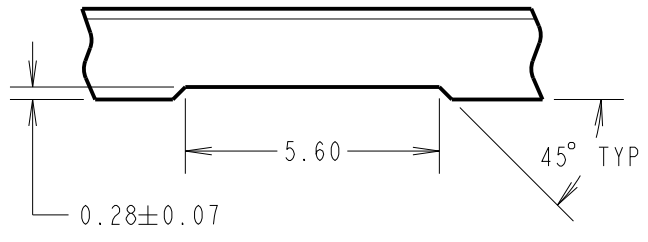
PERFORMANCE SPECIFICATION:
 INSERTION FORCE = 5N MAX.
 WITHDRAWAL FORCE = 0.35N MIN.
 DURABILITY = 15 CYCLES MIN.
 CONTACT RESISTANCE = 40mΩ MAX.



SINGLE COMPONENT DIMENSIONS



RECOMMENDED SHIELD CAN CUT OUT



RTP	14	15.02.23	32294
NAME	ISS.	DATE	CN/CO
APPROVED: R.PORTLOCK			
CHECKED: F.CHRISPINE			
DRAWN: M.G.PLESTED			
CUSTOMER REF.:			
ASSEMBLY DRG:			

HARWIN
 www.harwin.com
 technical@harwin.com

THIS DRAWING AND ANY INFORMATION OR DESCRIPTIVE MATTER SET OUT HEREON ARE CONFIDENTIAL AND COPYRIGHT PROPERTY OF THE HARWIN GROUP AND MUST NOT BE DISCLOSED, LOANED, COPIED OR USED FOR MANUFACTURING, TENDERING OR FOR ANY OTHER PURPOSE WITHOUT THEIR WRITTEN PERMISSION.

TOLERANCES
 X. = ±1mm
 X.X = ±0.50mm
 X.XX = ±0.20mm
 X.XXX = ±0.01mm
 ANGLES = ±5°
 UNLESS STATED

MATERIAL:
 SEE ABOVE
 FINISH: SEE ABOVE
 S/AREA: mm²

TITLE:
 MINI SMT RFI SHIELD CLIP
 IN TAPE AND REEL
 DRAWING NUMBER:
S1721-46R
 SHT 2 OF 2