



Sensors > Pressure Sensors > Media Isolated Pressure Sensors > MV Output Pressure Sensor, 16 mm



Pressure: [500 psi]

Media Isolated Pressure Sensor Type: **Media Isolated mV Output Pressure Sensors**

Media Isolated Pressure Sensor Style: **Absolute**

Output/Span: **100mV**

Operating Temperature Range: **-40 – 125 °C [-40 – 257 °F]**

[All MV Output Pressure Sensor, 16 mm \(29\)](#)

Features

Product Type Features

Media Isolated Pressure Sensor Type	Media Isolated mV Output Pressure Sensors
Media Isolated Pressure Sensor Style	Absolute

Configuration Features

Electrical Connection	Ribbon Cable
-----------------------	--------------

Electrical Characteristics

Supply Current	1.5 mA
----------------	--------

Dimensions

Dimensions	Dia 15.82 x 11.4 mm [Dia .622 x .448 in]
------------	--

Usage Conditions

Operating Temperature Range	-40 – 125 °C [-40 – 257 °F]
-----------------------------	-------------------------------

Operation/Application

Proof Pressure Range	3X
	500 psi
Output/Span	100mV

Packaging Features



Media Isolated Pressure Sensor Package

O-Ring Mount

Other

Non-Linearity

± .1 %

Sensor Options

No Tube

Product Compliance

[For compliance documentation, visit the product page on TE.com>](#)

EU RoHS Directive 2011/65/EU

Compliant

EU ELV Directive 2000/53/EC

Compliant

China RoHS 2 Directive MIIT Order No 32, 2016

No Restricted Materials Above Threshold

EU REACH Regulation (EC) No. 1907/2006

Current ECHA Candidate List: JUNE 2023 (235)
 Candidate List Declared Against: JUNE 2023 (235)
 SVHC > Threshold:
 Methanone, (diphenylphosphinyl)(2,4,6-trimethylphenyl)- (.11% in Component Part)
Article Safe Usage Statements:
 Wash thoroughly after handling. Do not handle until all safety precautions have been read and understood. Recycle if possible and dispose of the article by following all applicable governmental regulations relevant to your geographic location.

Halogen Content

Not Yet Reviewed for halogen content

Solder Process Capability

Not reviewed for solder process capability

Product Compliance Disclaimer

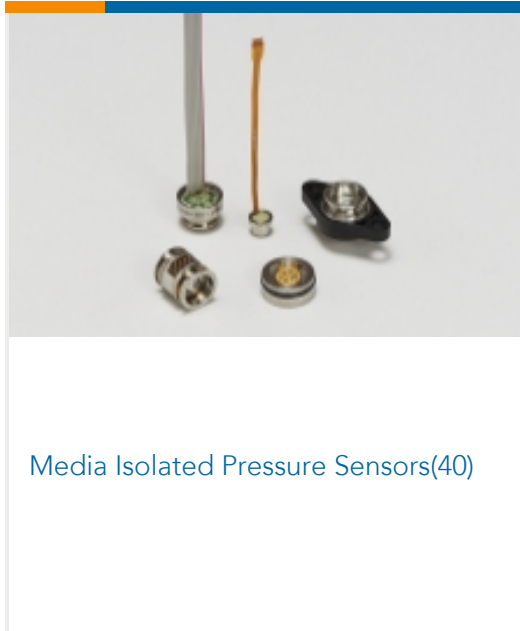
This information is provided based on reasonable inquiry of our suppliers and represents our current actual knowledge based on the information they provided. This information is subject to change. The part numbers that TE has identified as EU RoHS compliant have a maximum concentration of 0.1% by weight in homogenous materials for lead, hexavalent chromium, mercury, PBB, PBDE, DBP, BBP, DEHP, DIBP, and 0.01% for cadmium, or qualify for an exemption to these limits as defined in the Annexes of Directive 2011/65/EU (RoHS2). Finished electrical and electronic equipment products will be CE marked as required by Directive 2011/65/EU. Components may not be CE marked. Additionally, the part numbers that TE has identified as EU ELV compliant have a maximum concentration of 0.1% by weight in homogenous materials for lead, hexavalent chromium, and mercury, and 0.01% for cadmium, or qualify for an exemption to these limits as defined in the Annexes of Directive 2000/53/EC (ELV). Regarding the REACH Regulation, the information TE provides on SVHC in articles for this part number is based on the latest European Chemicals Agency (ECHA) 'Guidance on requirements for substances in articles' posted at this URL: <https://echa.europa.eu/guidance-documents/guidance-on-reach>

Compatible Parts



TE Part # CAT-MIPS0020
MV Output Pressure Sensor, 16 mm

Also in the Series | MEAS 86 Series



Media Isolated Pressure Sensors(40)

Customers Also Bought



TE Part #89-01KA-4R
1000 PSIA 316L MV RIBBON
PRESSURE SENSOR



TE Part #DP86-005D
5 PSID MV DIFFERENTIAL PRESSURE
SENSOR



TE Part #1622308-1
LR1 1% 120R



TE Part #280593
AMP MODU MOD I RECEPT HSG



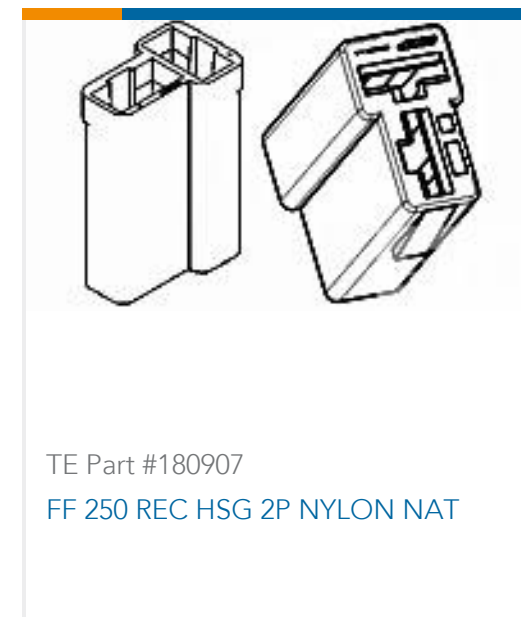
TE Part #2-520129-2
ULTRAFAST 250 ASSY FLAG 22-18
TPBR LP



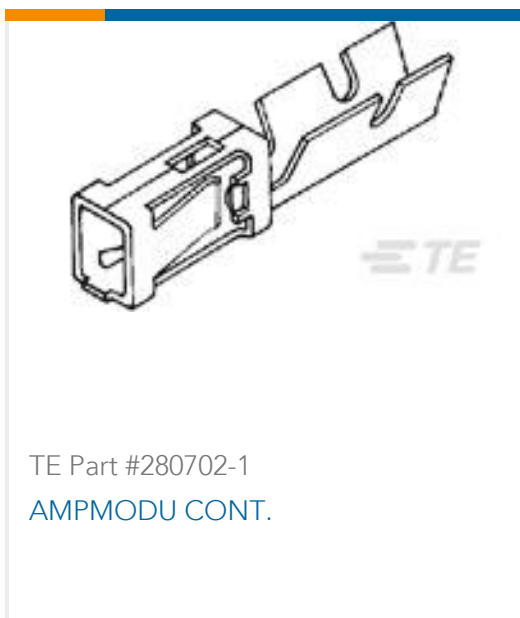
TE Part #280591
AMPMODU MODU I REC HOUSING



TE Part #925387-1
110 FASTON HSG. REC. 1P CLEAR



TE Part #180907
FF 250 REC HSG 2P NYLON NAT



TE Part #280702-1
AMPMODU CONT.



TE Part #2314878-4
4P,2MM,B-B,REC,SRVT,2,7,0.76AU,TB



Documents

CAD Files

3D PDF

3D

Customer View Model

[ENG_CVM_CVM_86-500A-R_G1.2d_dxf.zip](#)

English

Customer View Model

[ENG_CVM_CVM_86-500A-R_G1.3d_igs.zip](#)

English

Customer View Model

[ENG_CVM_CVM_86-500A-R_G1.3d_stp.zip](#)

English

By downloading the CAD file I accept and agree to the [Terms and Conditions](#) of use.

Datasheets & Catalog Pages

86C

English