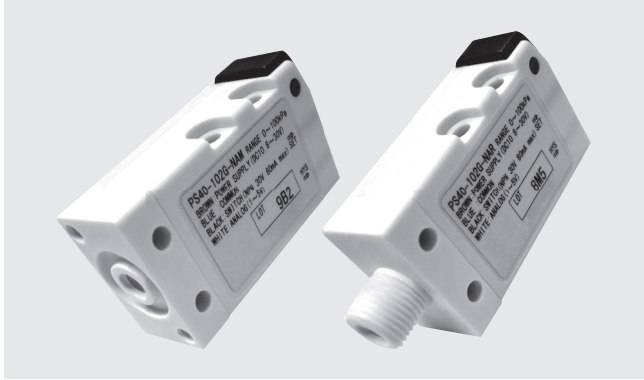


# PRESSURE SWITCHES

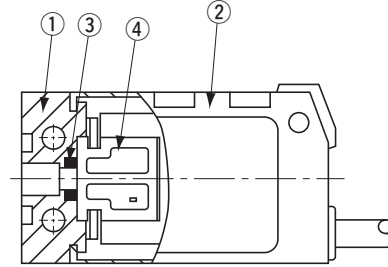
# PS40



## FEATURES

- Compatible with non-corrosive gases
- Solidstate pressure switch with no mechanical moving parts
- 2 types of pressure ports are available
- Open collector output of either NPN or PNP is available
- Analog output type available

## INTERNAL STRUCTURE (M5 female screw)



	Part name	Material
①	Pressure port	POM (Polyoxymethylene)
②	Housing	PC (Polycarbonate)
③	"O" ring	Fluoro-rubber
④	Port block	LCP (Liquid crystal polymer)

## MODEL NUMBER DESIGNATION

**PS40 - 102G - NAR**

Series name

Rated pressure range

501 : 0 ~ 50 kPa  
102 : 0 ~ 100 kPa  
103 : 0 ~ 1000 kPa

Pressure reference

G : Gauge  
V : Gauge (Vacuum)

Pressure port

R : R 1/8 male screw  
M : M 5 female screw

Outputs

A : 1 switch output with adjustable hysteresis and analog output  
W : 2 switch output

Switch output interface

N : NPN open collector  
P : PNP open collector

## LIST OF MODEL NUMBERS

Pressure port	Outputs	Switch output	102V	501G	102G	103G
			-100 kPa	50 kPa	100 kPa	1000 kPa
R 1/8 male screw	Adjustable hysteresis switch output + Analog output	NPN open collector output	PS40-102V-NAR	PS40-501G-NAR	PS40-102G-NAR	PS40-103G-NAR
		PNP open collector output	PS40-102V-PAR		PS40-102G-PAR	PS40-103G-PAR
	2 points switch output	NPN open collector output	PS40-102V-NWR	PS40-501G-NWR	PS40-102G-NWR	PS40-103G-NWR
		PNP open collector output	PS40-102V-PWR		PS40-102G-PWR	PS40-103G-PWR
M 5 female screw	Adjustable hysteresis switch output + Analog output	NPN open collector output	PS40-102V-NAM	PS40-501G-NAM	PS40-102G-NAM	PS40-103G-NAM
		PNP open collector output	PS40-102V-PAM		PS40-102G-PAM	PS40-103G-PAM
	2 points switch output	NPN open collector output	PS40-102V-NWM	PS40-501G-NWM	PS40-102G-NWM	PS40-103G-NWM
		PNP open collector output	PS40-102V-PWM		PS40-102G-PWM	PS40-103G-PWM

☐ : Not available

※ Verify the above model numbers when placing orders.

# PS40

## PRESSURE SWITCHES

### STANDARD SPECIFICATIONS

● Unless otherwise specified, the specs are defined at an ambient temperature of 25±5 °C and excitation voltage of 12 VDC.

Item		Model number	102V	501G	102G	103G
General specifications	Pressure reference		Gauge			
	Rated pressure range	kPa	- 100	50	100	1000
	Maximum pressure	kPa	200	100	200	1500
	Break-down pressure	kPa	500	250	500	2000
	Operating temp. range	°C	- 20 ~ 70			
	Compensated temp. range	°C	0 ~ 50			
	Operating humidity	%RH	35 ~ 85 (No condensation)			
	Storage temp.	°C	- 20 ~ 80			
	Pressure medium		Non-corrosive gases			
	Insulation resistance	MΩ minimum	100 (500 VDC)			
	Dielectric strength		500 VAC, 60 s (Leakage current 1 mA maximum)			
	Pressure port		R 1/8 (Female screw) or "O" ring groove (Female screw)			
	Net weight	g	Approx. 50			
Power	Supply voltage	VDC	10.8 ~ 30 V (Including ripple percentage)			
	Consumption current	maximum	17 mA (Only W type 25 mA maximum)			
Switch output	No. of outputs		1 or 2			
	Output interface		Open collector output (NPN or PNP)			
	Setting method		Adjustable by VR			
	Adjustable range		Zero through rated pressure minimum			
	Display		Red LED ON (W type only : SW1 Red, SW2 Green)			
	Accuracy (Reference temp.: 25 °C)	% F.S.	± 3			
	Hysteresis		Approx. 1 ~ 15 % of the set value (W type only 2 % F.S. maximum)			
	Switching capacity		30 V 80 mA			
	Residual voltage	V maximum	0.8 (NPN), 1.2 (PNP)			
Response	ms	Approx. 1				
Analog output	Output voltage	V	1 ~ 5			
	Zero voltage	V	1 ± 0.1			
	Span voltage	V	4 ± 0.1			
	Output current	mA maximum	1 (Load resistance 5 kΩ minimum)			

# PS40 PRESSURE SWITCHES

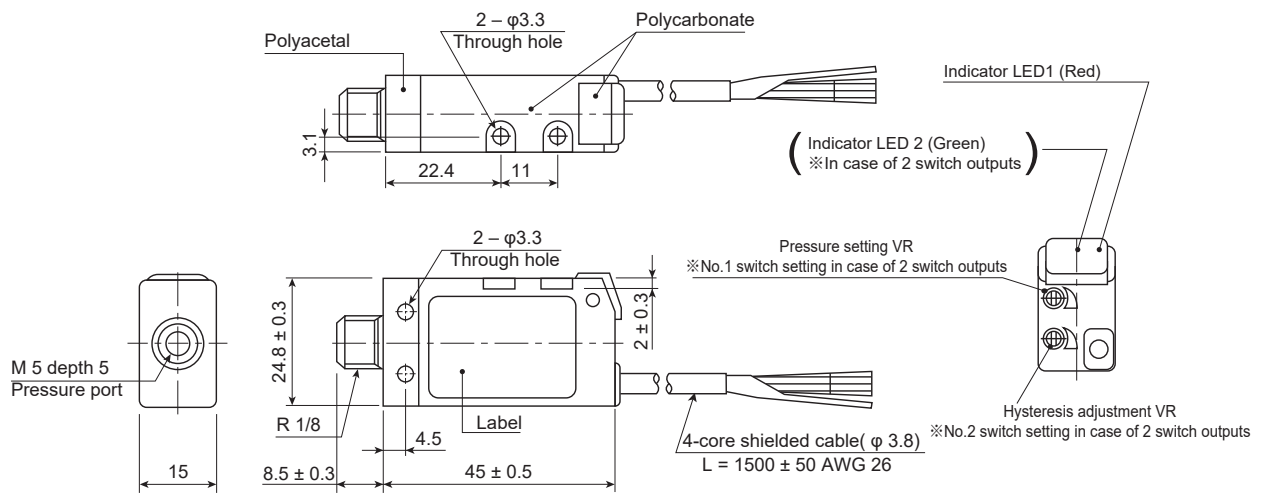
## ENVIRONMENTAL CHARACTERISTICS

Test item	Test conditions (At 25 ± 5 °C)	Permissible change
Vibration	10 ~ 500 Hz, 1.5 mm maximum/98.1 m/s <sup>2</sup> , 3 directions for 2 hours each	Switch output setting and analog output (Zero voltage/span voltage): ± 2 %F.S. maximum, each
Shock	490 m/s <sup>2</sup> , 3 directions for 3 times each	
Pressure cycling	0~Rated pressure, 10 <sup>6</sup> cycles	
Moisture resistance	40 °C, 90 ~ 95 %RH, 240 hrs.	

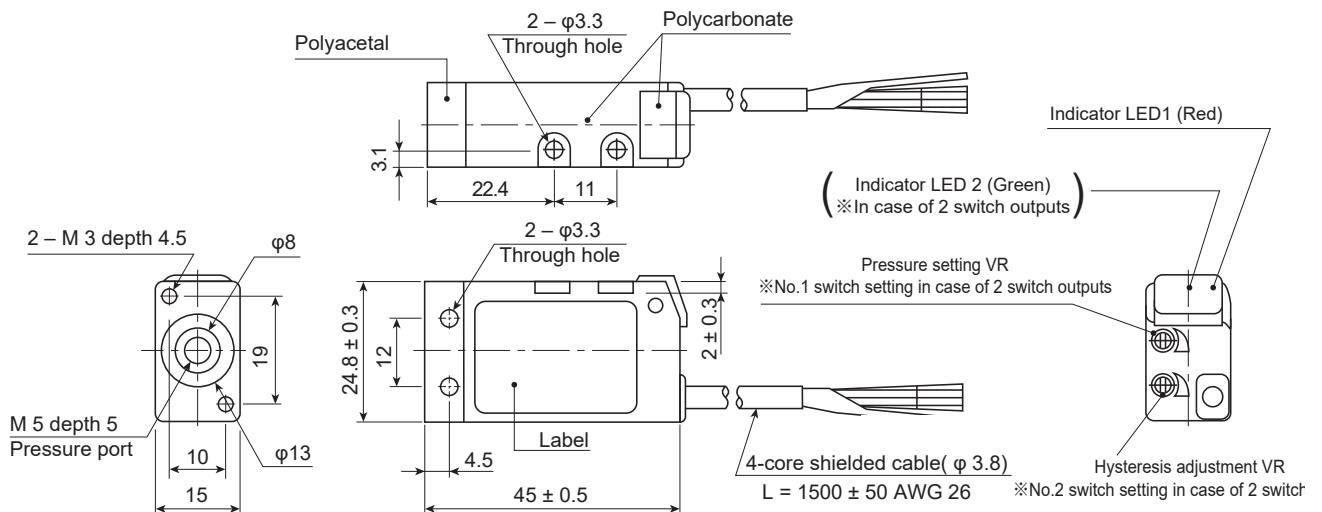
## OUTLINE DIMENSIONS

Unless otherwise specified, tolerance : ± 0.5 (Unit: mm)

### ● NAR, PAR, NWR, PWR



### ● NAM, PAM, NWM, PWM



# PS40

## PRESSURE SWITCHES

### PS40 (NAM, NAR, PAM, PAR)

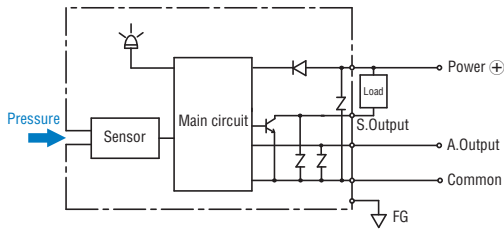
Wire color	Connection
Brown	Power ⊕
Black	Switch output
White	Analog output
Blue	Common
Shield	N.C.

### PS40 (NWM, NWR, PWM, PWR)

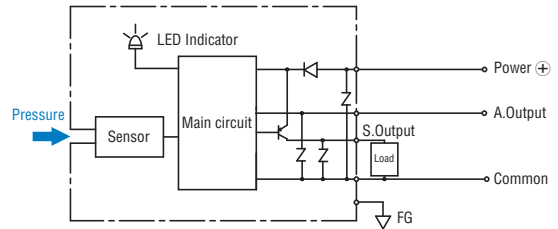
Wire color	Connection
Brown	Power ⊕
Black	Switch output 1
White	Switch output 2
Blue	Common
Shield	N.C.

## INTERNAL ELECTRICAL SCHEMATICS

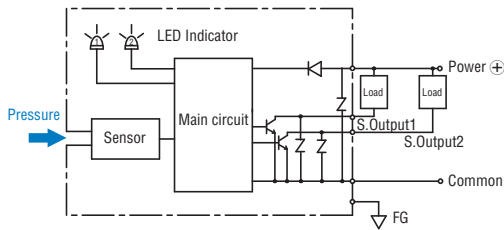
### NAM, NAR (NPN/Adjustable hysteresis switch)



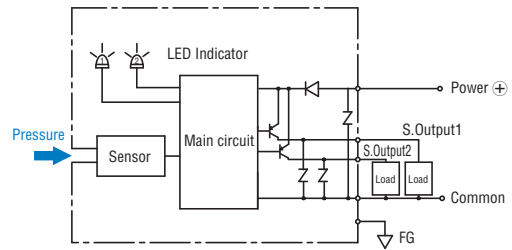
### PAM, PAR (PNP/Adjustable hysteresis switch)



### NWM, NWR (NPN/2 switch outputs)

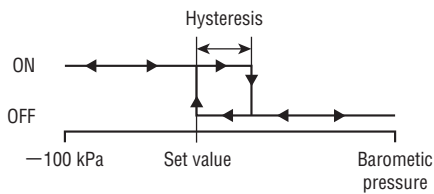


### PWM, PWR (PNP/2 switch outputs)



## SWITCH OUTPUT SCHEMATICS

### PS40-102V



### PS40-\*\*\*G

