



MEAS | M5600, MEAS M5600

TE Internal #: M5600-000005-05KPG

TE Internal Description: PRESS XDCCR M5600-000005-05KPG

Wireless Pressure Transducer

[View on TE.com >](#)

Sensors > Pressure Sensors > Pressure Transducers > Wireless Pressure Transducer



Pressure Transducer Sensor Type: **Industrial Pressure Transducer, Wireless Pressure Transducer**

Pressure Range: **0 – 350 bar**

Pressure Type: **Gauge**

Pressure Transducer Supply Voltage: **2.7 V**

Output/Span: **Bluetooth**

[All Wireless Pressure Transducer \(16\)](#)

## Features

### Product Type Features

Pressure Transducer Sensor Type	Industrial Pressure Transducer, Wireless Pressure Transducer
---------------------------------	--

Pressure Type	Gauge
---------------	-------

### Configuration Features

Electrical Connection	No Connector
-----------------------	--------------

Pressure Port/Fitting	1/4 MNPT
-----------------------	----------

### Electrical Characteristics

Pressure Transducer Supply Voltage	2.7 V
------------------------------------	-------

### Dimensions

Dimensions	24 x 24 x 69 mm [.94 x .94 x 2.71 in]
------------	---------------------------------------

### Usage Conditions

Pressure	350 bar [5000 psi]
----------	--------------------

Operating Temperature Range	-20 – 85 °C [-4 – 185 °F]
-----------------------------	---------------------------

### Operation/Application

Proof Pressure Range	2X Rated
----------------------	----------

Pressure Range	0 – 350 bar
----------------	-------------



Output/Span	Bluetooth
Pressure Accuracy	±0.25% FSO

### Other

Sensor Options	IP67 Protection
----------------	-----------------

## Product Compliance

[For compliance documentation, visit the product page on TE.com>](#)

EU RoHS Directive 2011/65/EU	Compliant with Exemptions
EU ELV Directive 2000/53/EC	Compliant with Exemptions
China RoHS 2 Directive MIIT Order No 32, 2016	Restricted Materials Above Threshold
EU REACH Regulation (EC) No. 1907/2006	Current ECHA Candidate List: JUNE 2023 (235) Candidate List Declared Against: JUNE 2022 (224) SVHC > Threshold: Decamethylcyclopentasiloxane (D5) (.12% in component) Dodecamethylcyclohexasiloxane (D6) (.26% in component) <b>Article Safe Usage Statements:</b> Wash thoroughly after handling. Recycle if possible and dispose of the article by following all applicable governmental regulations relevant to your geographic location.
Halogen Content	Not Yet Reviewed for halogen content
Solder Process Capability	Not reviewed for solder process capability

### Product Compliance Disclaimer

This information is provided based on reasonable inquiry of our suppliers and represents our current actual knowledge based on the information they provided. This information is subject to change. The part numbers that TE has identified as EU RoHS compliant have a maximum concentration of 0.1% by weight in homogenous materials for lead, hexavalent chromium, mercury, PBB, PBDE, DBP, BBP, DEHP, DIBP, and 0.01% for cadmium, or qualify for an exemption to these limits as defined in the Annexes of Directive 2011/65/EU (RoHS2). Finished electrical and electronic equipment products will be CE marked as required by Directive 2011/65/EU. Components may not be CE marked. Additionally, the part numbers that TE has identified as EU ELV compliant have a maximum concentration of 0.1% by weight in homogenous materials for lead, hexavalent chromium, and mercury, and 0.01% for cadmium, or qualify for an exemption to these limits as defined in the Annexes of Directive 2000/53/EC (ELV). Regarding the REACH Regulation, the information TE provides on SVHC in articles for this part number is based on the latest European Chemicals Agency (ECHA) 'Guidance on requirements for substances in articles' posted at this URL: <https://echa.europa.eu/guidance-documents/guidance-on-reach>

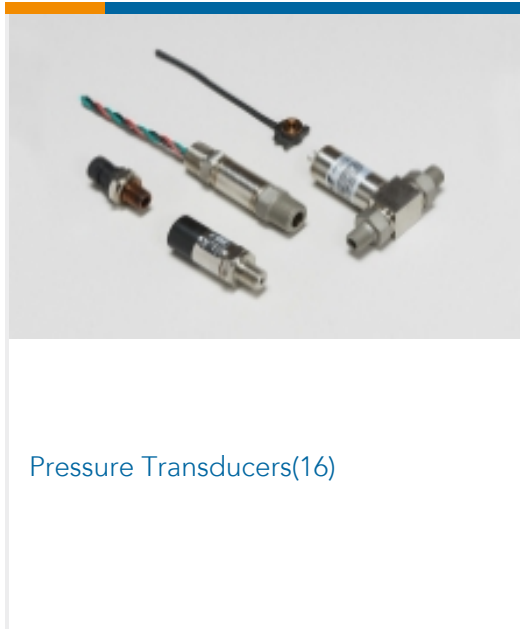
## Compatible Parts



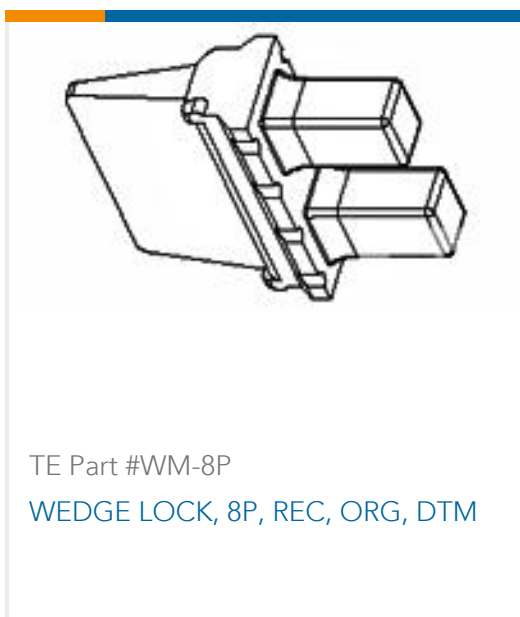
### Also in the Series | M5600



### Also in the Series | MEAS M5600



### Customers Also Bought





## Documents

### CAD Files

3D PDF

3D

Customer View Model

[ENG\\_CVM\\_CVM\\_M5600-000005-05KPG\\_C.2d\\_dxf.zip](#)

English

Customer View Model

[ENG\\_CVM\\_CVM\\_M5600-000005-05KPG\\_C.3d\\_igs.zip](#)

English

Customer View Model

[ENG\\_CVM\\_CVM\\_M5600-000005-05KPG\\_C.3d\\_stp.zip](#)

English

By downloading the CAD file I accept and agree to the [Terms and Conditions](#) of use.

### Datasheets & Catalog Pages

M5600

English

### Product Specifications

[Purchase Specification](#)

English