



## Pressure sensors

Differential pressure transmitter (voltage output)

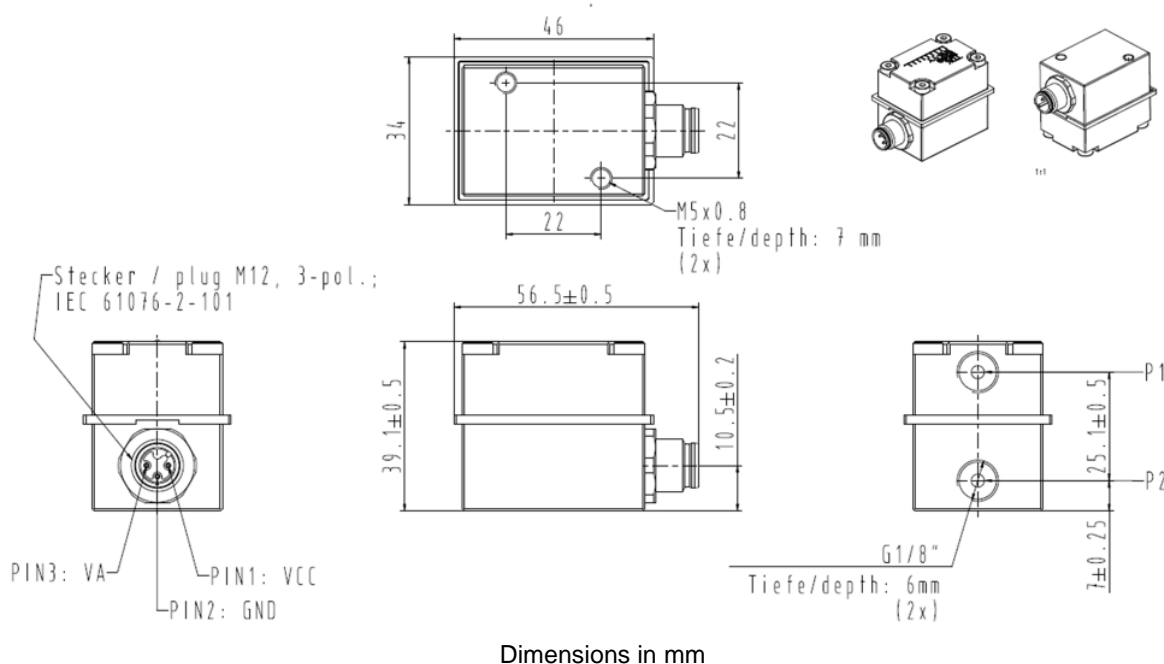
<b>Series/Type:</b>	<b>MiniCell Series</b>
<b>Ordering code:</b>	
Date:	2021-10-21
Version:	1.3

**Applications**

- Miniaturized differential pressure transmitter for industrial applications with small installation space - usage for gauge pressure also possible
- High resistance against media like diluted acids, contaminated air, exhaust gases
- Typical applications in pumps and compressors, hydraulic and pneumatic systems, automotive test systems, energy and water management
- Measurement tasks like filter monitoring, flow control, fluid level measurement and leak detection in extended temperature range of -20 °C ... 140 °C

**Features**

- Sensing element based on piezoresistive MEMS technology, media separation by steel membranes, robust housing, IP 67 protection
- High media resistance due to high alloyed steel: sensor cell AISI 316L, housing AISI 316, internal sealings EPDM
- Voltage output signal (0.5 V ... 4.5 V, ratiometric) proportional to pressure and supply voltage
- The integrated signal conditioner provides a calibrated output signal with a high immunity against electromagnetic influences (EMI) and overvoltage and reverse voltage protection
- Various connecting possibilities to G 1/8" pressure ports and M12 electrical plug
- Pressure connectors for 6x4 mm tube enclosed
- Mounting direction will not influence the output signal
- RoHS-compatible, halogen free according to IEC 61249-2-21 clause 3.1

**Dimensional drawings**


**Pressure sensors**
**Differential pressure transmitter (voltage output)**
**MiniCell Series**
**Technical data**
**Absolute maximum ratings**

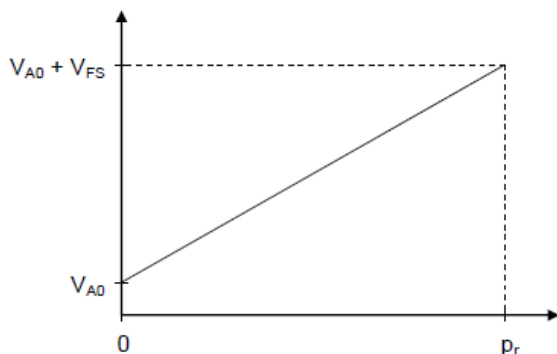
Parameter	Symbol	Conditions	Min.	Typ.	Max.	Unit
<b>Common sensor characteristics</b>						
<b>Temperature ranges</b>						
Storage temperature range	$T_{st}$	1)	-40		+140	°C
Operating temperature range	$T_a$	2)	-20		+140	°C
Compensated temperature range	$T_c$	3)	-20		+140	°C
<b>Supply voltage /-current</b>						
Supply voltage	$V_{CC}$	4)	4.5		5.5	V
Supply current	$I_{CC}$	without output current $I_A$ 5)			7	mA
Signal output current	$I_A$	6)			2	mA
Load resistor	$R_L$	6)	2.7			k $\Omega$
Overvoltage	$V_{ov}$	7)	33			V
Output signal at sensor failure	$V_{ERR}$	8)			0.25	V
<b>Output signal (ratiometric) @ <math>T_a = 25^\circ\text{C}</math>, <math>I_A &lt; 0.1 \text{ mA}</math></b>						
Offset	$V_{A0}$	9)		10		% $V_{CC}$
Offset	$V_{A0}$	@ $V_{CC} = 5 \text{ V}$ 9)		0.5		V
Signal at rated pressure	$V_{pr}$	10)		90		% $V_{CC}$
Signal at rated pressure	$V_{pr}$	@ $V_{CC} = 5 \text{ V}$ 10)		4.5		V
<b>Measuring error <math>I_A &lt; 0.1 \text{ mA}</math>, <math>p_{line} = \text{ambient pressure}</math></b>						
Non-linearity	L	11)		$\pm 0.25$	$\pm 0.5$	% FS
Response time	$t_{10-90}$	12)			10	ms
<b>Specific pressure ranges and Measuring error <math>I_A &lt; 0.1 \text{ mA}</math>, <math>p_{line} = \text{ambient pressure}</math></b>						
<b>AMD 0.500 KA VR Z1E L ST B745</b>						
Rated differential pressure	$p_r$	One-sided output 13)			0 ... 0.5	bar
Overpressure	$p_{ov}$	14)			2	bar
Burst pressure	$p_{burst}$	15)			3	bar
Line pressure	$p_{line}$	16)	0.1		5	bar a
Line overpressure	$p_{ov \text{ line}}$	17)	0.01		16	bar a
Line burst pressure	$p_{burst \text{ line}}$	18)	0.01		30	bar a
Total error	$E_T$	$T_a = 0 \dots 85 \text{ }^\circ\text{C}$ , 19)			$\pm 2.0$	% FS
	$E_T$	$T_a = -20 \dots 140 \text{ }^\circ\text{C}$ , 19)			$\pm 2.5$	% FS

**Pressure sensors**
**Differential pressure transmitter (voltage output)**
**MiniCell Series**

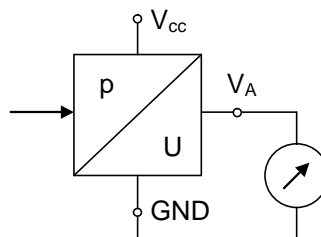
Parameter	Symbol	Conditions	Min.	Typ.	Max.	Unit
<b>AMD 1.000 KA VR Z1E L ST B746</b>						
Rated differential pressure	$p_r$	One-sided output <sup>13)</sup>	0 ... 1			bar
Overpressure	$p_{ov}$	<sup>14)</sup>			2.5	bar
Burst pressure	$p_{burst}$	<sup>15)</sup>			3	bar
Line pressure	$p_{line}$	<sup>16)</sup>	0.1		5	bar a
Line overpressure	$p_{ov\ line}$	<sup>17)</sup>	0.01		16	bar a
Line burst pressure	$p_{burst\ line}$	<sup>18)</sup>	0.01		30	bar a
Total error	$E_T$	$T_a = 0 \dots 85 \text{ }^\circ\text{C}$ , <sup>19)</sup>			$\pm 1.5$	% FS
	$E_T$	$T_a = -20 \dots 140 \text{ }^\circ\text{C}$ , <sup>19)</sup>			$\pm 2.0$	% FS
<b>AMD 2.500 KA VR Z1E L ST B747</b>						
Rated differential pressure	$p_r$	One-sided output <sup>13)</sup>	0 ... 2.5			bar
Overpressure	$p_{ov}$	<sup>14)</sup>			5	bar
Burst pressure	$p_{burst}$	<sup>15)</sup>			7.5	bar
Line pressure	$p_{line}$	<sup>16)</sup>	0.1		16	bar a
Line overpressure	$p_{ov\ line}$	<sup>17)</sup>	0.01		25	bar a
Line burst pressure	$p_{burst\ line}$	<sup>18)</sup>	0.01		30	bar a
Total error	$E_T$	$T_a = 0 \dots 85 \text{ }^\circ\text{C}$ , <sup>19)</sup>			$\pm 1.0$	% FS
	$E_T$	$T_a = -20 \dots 140 \text{ }^\circ\text{C}$ , <sup>19)</sup>			$\pm 1.5$	% FS
<b>AMD 5.000 KA VR Z1E L ST B748</b>						
Rated differential pressure	$p_r$	One-sided output <sup>13)</sup>	0 ... 5			bar
Overpressure	$p_{ov}$	<sup>14)</sup>			10	bar
Burst pressure	$p_{burst}$	<sup>15)</sup>			15	bar
Line pressure	$p_{line}$	<sup>16)</sup>	0.1		20	bar a
Line overpressure	$p_{ov\ line}$	<sup>17)</sup>	0.01		30	bar a
Line burst pressure	$p_{burst\ line}$	<sup>18)</sup>	0.01		30	bar a
Total error	$E_T$	$T_a = 0 \dots 85 \text{ }^\circ\text{C}$ , <sup>19)</sup>			$\pm 1.0$	% FS
	$E_T$	$T_a = -20 \dots 140 \text{ }^\circ\text{C}$ , <sup>19)</sup>			$\pm 1.5$	% FS
<b>AMD 10.00 KA VR Z1E L ST B749</b>						
Rated differential pressure	$p_r$	Tzb7	0 ... 10			bar
Overpressure	$p_{ov}$	<sup>14)</sup>			20	bar
Burst pressure	$p_{burst}$	<sup>15)</sup>			30	bar
Line pressure	$p_{line}$	<sup>16)</sup>	0.1		30	bar a
Line overpressure	$p_{ov\ line}$	<sup>17)</sup>	0.01		30	bar a
Line burst pressure	$p_{burst\ line}$	<sup>18)</sup>	0.01		30	bar a
Total error	$E_T$	$T_a = 0 \dots 85 \text{ }^\circ\text{C}$ , <sup>19)</sup>			$\pm 1.0$	% FS
	$E_T$	$T_a = -20 \dots 140 \text{ }^\circ\text{C}$ , <sup>19)</sup>			$\pm 1.5$	% FS

**Output Characteristics**

One-sided output

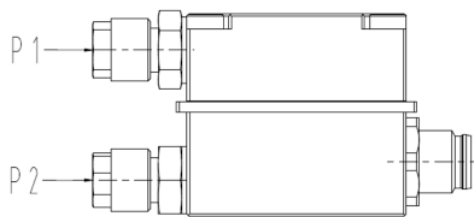


Connection diagram



Terminal assignment

Pin	Symbol	Signal
1	V <sub>CC</sub>	Supply voltage
2	GND	Ground connected to housing
3	V <sub>A</sub>	Output signal

**Pressure feed**


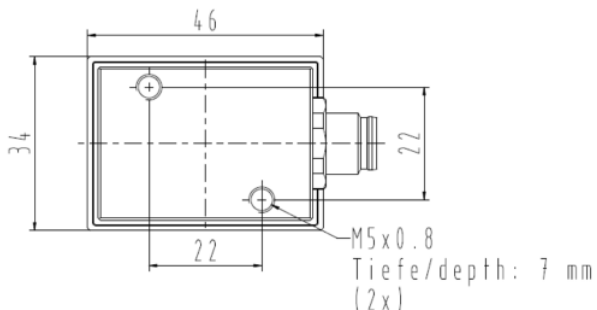
$$p_r = p_1 \text{ (high pressure)} - p_2 \text{ (low pressure)}$$

$$p_{ov} = p_1 \text{ (high pressure)} - p_2 \text{ (low pressure)}$$

Hose connector (included)



- Thread: G1/8 "
- Hose connection for tube  $\varnothing$  6 mm
- Nickel plated brass
- O-Ring: EPDM

**Sensor mounting**


Please attend to mounting advises given on page 8.

### Type designation

Types and pressure ranges are distinguished by label on sensor housing.

Type	Rated differential pressure	Ordering Code
AMD 0.500 KA VR Z1E L ST B745	0 ... 0.5 bar	B58622M3273B745
AMD 1.000 KA VR Z1E L ST B746	0 ... 1.0 bar	B58622M3214B746
AMD 2.500 KA VR Z1E L ST B747	0 ... 2.5 bar	B58622M3244B747
AMD 5.000 KA VR Z1E L ST B748	0 ... 5.0 bar	B58622M3274B748
AMD 10.00 KA VR Z1E L ST B749	0 ... 10.0 bar	B58622M3215B749

Labeling enables a distinction of pressure ranges and may vanish after installation or over lifetime.

**Symbols and terms**
**1) Storage temperature range  $T_{st}$** 

A storage of the pressure sensor within the temperature range  $T_{st,min}$  up to  $T_{st,max}$  and without applied pressure and supply voltage will not affect the performance of the pressure sensor.

**2) Operating temperature range  $T_a$** 

An operation of the pressure sensor within the temperature range  $T_{a,min}$  up to  $T_{a,max}$  will not affect the performance of the pressure sensor.

**3) Compensated temperature range  $T_c$** 

While operating the pressure sensor within the temperature range  $T_{c,min}$  up to  $T_{c,max}$ , the deviation of the output signal will not exceed the temperature specific measurement error. Out of the compensated temperature range, the deviations may increase.

**4) Supply voltage  $V_{CC}$** 

$V_{CC,max}$  is the maximum of permissible supply voltage, which can be applied without damages.

$V_{CC,min}$  is the minimum of required supply voltage, which has to be applied for normal operation.

**5) Supply current  $I_{CC}$** 

$I_{CC}$  is the maximum of current required to run the pressure sensor. Additional to the supply current  $I_{CC}$  the signal output current  $I_A$  is working.

**6) Signal output current  $I_A$ , Load resistor  $R_L$** 

$I_{A,max}$  is the maximum permissible sink current of the signal output. The signal output current is depending on the voltage of the output signal and the load resistor  $R_L$ . Exceeding (e.g. short circuit) of the signal output current  $I_A$  may cause irreparable damages.

**7) Overvoltage  $V_{OV}$** 

Maximum voltage being applied in any polarity to all contact pins without damaging the pressure sensor.

**8) Output signal at sensor failure  $V_{ERR}$** 

Output voltage of the sensor, if the signal conditioner detects a serious internal functional error.

**9) Offset  $V_{A0}$** 

The offset  $V_{A0}$  is the signal output  $V_A(p = 0)$  at zero pressure. The value is related to the supply voltage  $V_{CC}$ .

One-sided output:  $V_{A0} = 0.1 V_{CC}$

Symmetrical output:  $V_{A0} = 0.5 V_{CC}$

**10) Signal at rated pressure  $V_{pr}$** 

The value is related to the supply voltage  $V_{CC}$ .

One-sided output:  $V_{FS} = FS = V_A(p_r) - V_{A0} = 0.9 V_{CC}$

**11) Non-linearity  $L$  (including pressure hysteresis)**

The non-linearity is the deviation of the real sensor characteristic  $V_A = f(p)$  from the ideal straight line.

It can be approximated by a polynomial of second order, with the maximum at  $p_M = p_r / 2$ .

The equation to calculate the non-linearity is:

$$L = \frac{V_A(p_x) - V_{A0}}{V_A(p_r) - V_{A0}} - \frac{p_x}{p_r}$$

**12) Response time  $t_{10-90}$** 

Delay between a pressure change (10 ... 90%  $p_r$ ) and the corresponding signal output change (10 ... 90% FS) based on theoretical estimations.

**13) Rated pressure  $p_r$** 

Within the rated pressure range 0 up to  $p_r$  (symmetrical output:  $\pm p_r$ ) the signal output characteristic corresponds to this specification. Rated pressure is defined as:  $p_r = p_1 - p_2$ .

**14) Overpressure  $p_{OV}$** 

1000 pressure cycles within the pressure range 0 up to  $p_{OV}$  will not affect the performance of the pressure sensor.

Overpressure is defined as:  $p_{OV} = p_1 - p_2$ .

**15) Burst pressure  $p_{burst}$** 

Burst pressure  $p_{burst}$  is the maximum of permissible pressure applied without causing leakage of the sensor.

Measurement performance of the sensor may be affected. Burst pressure is defined as:  $p_{burst} = p_1 - p_2$ .

**16) Line pressure  $p_{\text{Line}}$** 

Line pressure  $p_{\text{line}}$  is defined as the maximum common mode pressure working on both pressure ports simultaneously. Line pressure above ambient pressure may lead to an additional total error of the sensor.

**17) Line overpressure  $p_{\text{ov line}}$** 

1000 pressure cycles within the pressure range 0 up to  $p_{\text{ov line}}$  working on both pressure ports simultaneously will not affect the performance of the pressure sensor.

**18) Line burst pressure  $p_{\text{burst line}}$** 

Line burst pressure  $p_{\text{burst line}}$  is the maximum of permissible pressure working on both pressure ports simultaneously without causing leakage of the sensor. Measurement performance of the sensor may be affected.

**19) Total measuring error  $E_T$** 

Total measuring error  $E_T$  includes offset error, span error, nonlinearity, pressure hysteresis, temperature hysteresis, and signal noise. It describes the deviation of the signal to the nominal output characteristic.



## Cautions and warnings

### Storage

All pressure sensors should be stored in their original packaging. Maximum storage and time in original package is 2 years after the date of production. Transmitters should not be placed in harmful environments such as corrosive gases nor exposed to heat or direct sunlight, which may cause deformations. Similar effects may result from extreme storage temperatures and climatic conditions. Avoid storing the sensors in an environment where condensation may form or in a location exposed to corrosive gases, which will adversely affect their performance.

### Mounting

Mounting torque of pressure ports screwed in sensors housing has to be checked. Before usage test leak tightness of mounted pressure ports. Be assure, that pressure ports fulfil temperature, media and pressure requirements.

If sensor is mounted by using the two M5 threads check length and mounting torque of used screws. Release all mounting processes carefully.

### Operation (general)

Media compatibility with the pressure sensors has to be checked to prevent their failure. The use of other media can cause damage and malfunction. Never use pressure sensors in atmospheres containing explosive liquids or gases.

Ensure pressure equalization to the environment, if gauge pressure sensors are used. Avoid operating the pressure sensors in an environment where condensation may form or in a location exposed to corrosive gases. These environments adversely affect their performance.

If the operating pressure is not within the rated pressure range, it may change the output characteristics. Be sure that the applicable pressure does not exceed the over pressure, as it may damage the pressure sensor.

Do not exceed the maximum rated supply voltage nor the rated storage temperature range, as it may damage the pressure sensor.

Temperature variations in both the ambient conditions and the media (liquid or gas) can affect the accuracy of the output signal from the pressure sensors. Be sure to check the operating temperature range and thermal error specification of the pressure sensors to determine their suitability for the application.

Connections have to be wired in accordance with the terminal assignment specified in the data sheets. Care should be taken as reversed pin connections can damage the pressure transmitters or degrade their performance. Contact between the pressure sensor terminals and metals or other materials may cause errors in the output characteristics.

This listing does not claim to be complete, but merely reflects the experience of TDK Electronics AG.

### Display of ordering codes for TDK Electronics products

The ordering code for one and the same product can be represented differently in data sheets, data books, other publications, on the company website, or in order-related documents such as shipping notes, order confirmations and product labels. **The varying representations of the ordering codes are due to different processes employed and do not affect the specifications of the respective products.** Detailed information can be found on the Internet under [www.tdk-electronics.tdk.com/orderingcodes](http://www.tdk-electronics.tdk.com/orderingcodes).

## Important notes

The following applies to all products named in this publication:

1. Some parts of this publication contain **statements about the suitability of our products for certain areas of application**. These statements are based on our knowledge of typical requirements that are often placed on our products in the areas of application concerned. We nevertheless expressly point out **that such statements cannot be regarded as binding statements about the suitability of our products for a particular customer application**. As a rule we are either unfamiliar with individual customer applications or less familiar with them than the customers themselves. For these reasons, it is always ultimately incumbent on the customer to check and decide whether a product with the properties described in the product specification is suitable for use in a particular customer application.
2. We also point out that **in individual cases, a malfunction of electronic components or failure before the end of their usual service life cannot be completely ruled out in the current state of the art, even if they are operated as specified**. In customer applications requiring a very high level of operational safety and especially in customer applications in which the malfunction or failure of an electronic component could endanger human life or health (e.g. in accident prevention or life-saving systems), it must therefore be ensured by means of suitable design of the customer application or other action taken by the customer (e.g. installation of protective circuitry or redundancy) that no injury or damage is sustained by third parties in the event of malfunction or failure of an electronic component.
3. **The warnings, cautions and product-specific notes must be observed.**
4. In order to satisfy certain technical requirements, **some of the products described in this publication may contain substances subject to restrictions in certain jurisdictions (e.g. because they are classed as hazardous)**. Useful information on this will be found in our Material Data Sheets on the Internet ([www.tdk-electronics.tdk.com/material](http://www.tdk-electronics.tdk.com/material)). Should you have any more detailed questions, please contact our sales offices.
5. We constantly strive to improve our products. Consequently, **the products described in this publication may change from time to time**. The same is true of the corresponding product specifications. Please check therefore to what extent product descriptions and specifications contained in this publication are still applicable before or when you place an order.

We also **reserve the right to discontinue production and delivery of products**. Consequently, we cannot guarantee that all products named in this publication will always be available. The aforementioned does not apply in the case of individual agreements deviating from the foregoing for customer-specific products.

6. Unless otherwise agreed in individual contracts, **all orders are subject to our General Terms and Conditions of Supply**.
7. **Our manufacturing sites serving the automotive business apply the IATF 16949 standard**. The IATF certifications confirm our compliance with requirements regarding the quality management system in the automotive industry. Referring to customer requirements and customer specific requirements ("CSR") TDK always has and will continue to have the policy of respecting individual agreements. Even if IATF 16949 may appear to support the acceptance of unilateral requirements, we hereby like to emphasize that **only requirements mutually agreed upon can and will be implemented in our Quality Management System**. For clarification purposes we like to point out that obligations from IATF 16949 shall only become legally binding if individually agreed upon.

## Important notes

8. The trade names EPCOS, CarXield, CeraCharge, CeraDiode, CeraLink, CeraPad, CeraPlas, CSMP, CTVS, DeltaCap, DigiSiMic, ExoCore, FilterCap, FormFit, LeaXield, MiniBlue, MiniCell, MKD, MKK, ModCap, MotorCap, PCC, PhaseCap, PhaseCube, PhaseMod, PhiCap, PowerHap, PQSine, PQvar, SIFERRIT, SIFI, SIKOREL, SilverCap, SIMDAD, SiMic, SIMID, SineFormer, SIOV, ThermoFuse, WindCap, XieldCap are **trademarks registered or pending** in Europe and in other countries. Further information will be found on the Internet at [www.tdk-electronics.tdk.com/trademarks](http://www.tdk-electronics.tdk.com/trademarks).

Release 2020-06