



MEAS | MEAS M5200

TE Internal #: M5254-000002-020BG

TE Internal Description: PRESS XDCCR M5254-000002-020BG

Compact Industrial Pressure Transducer

[View on TE.com >](#)

Sensors > Pressure Sensors > Pressure Transducers > Compact Industrial Pressure Transducer



Pressure Transducer Sensor Type: **Industrial Pressure Transducer**

Pressure Range: **0 – 20 bar**

Pressure Type: **Gauge**

Pressure Transducer Supply Voltage: **9 – 30 V**

Output/Span: **4 – 20 mA**

[All Compact Industrial Pressure Transducer \(12\)](#)

## Features

### Product Type Features

Pressure Transducer Sensor Type	Industrial Pressure Transducer
Pressure Type	Gauge

### Configuration Features

Electrical Connection	Packard
Pressure Port/Fitting	1/4 MBSPP

### Electrical Characteristics

Pressure Transducer Supply Voltage	9 – 30 V
------------------------------------	----------

### Dimensions

Dimensions	24 x 24 x 82 mm [.94 x .94 x 3.23 in]
------------	---------------------------------------

### Usage Conditions

Pressure	20 bar [290.07 psi]
Operating Temperature Range	-40 – 125 °C [-40 – 257 °F]

### Operation/Application

Proof Pressure Range	2X Rated
Pressure Range	0 – 20 bar
Output/Span	4 – 20 mA



Pressure Accuracy

±0.25% FSO

### Other

Sensor Options

Adhesive Label, No Snubber

## Product Compliance

[For compliance documentation, visit the product page on TE.com>](#)

EU RoHS Directive 2011/65/EU

Compliant with Exemptions

EU ELV Directive 2000/53/EC

Compliant with Exemptions

China RoHS 2 Directive MIIT Order No 32, 2016

Restricted Materials Above Threshold

EU REACH Regulation (EC) No. 1907/2006

Current ECHA Candidate List: JUNE 2023 (235)

Candidate List Declared Against: JUNE 2022 (224)

SVHC &gt; Threshold:

Decamethylcyclopentasiloxane (D5) (.12% in component)

Dodecamethylcyclohexasiloxane (D6) (.26% in component)

**Article Safe Usage Statements:**

Wash thoroughly after handling. Recycle if possible and dispose of the article by following all applicable governmental regulations relevant to your geographic location.

Halogen Content

Not Yet Reviewed for halogen content

Solder Process Capability

Not reviewed for solder process capability

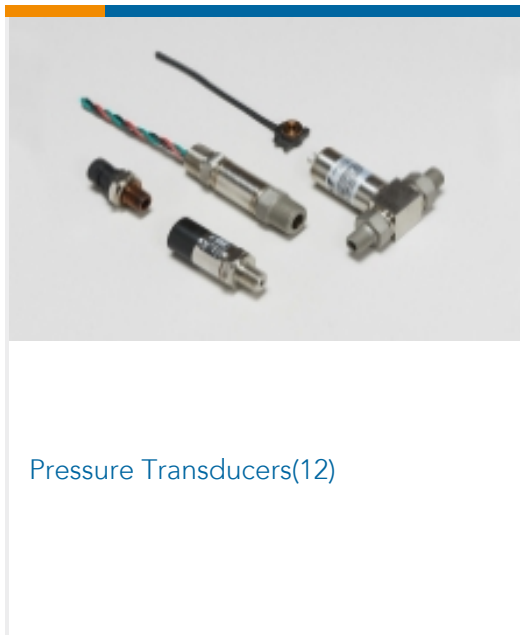
### Product Compliance Disclaimer

This information is provided based on reasonable inquiry of our suppliers and represents our current actual knowledge based on the information they provided. This information is subject to change. The part numbers that TE has identified as EU RoHS compliant have a maximum concentration of 0.1% by weight in homogenous materials for lead, hexavalent chromium, mercury, PBB, PBDE, DBP, BBP, DEHP, DIBP, and 0.01% for cadmium, or qualify for an exemption to these limits as defined in the Annexes of Directive 2011/65/EU (RoHS2). Finished electrical and electronic equipment products will be CE marked as required by Directive 2011/65/EU. Components may not be CE marked. Additionally, the part numbers that TE has identified as EU ELV compliant have a maximum concentration of 0.1% by weight in homogenous materials for lead, hexavalent chromium, and mercury, and 0.01% for cadmium, or qualify for an exemption to these limits as defined in the Annexes of Directive 2000/53/EC (ELV). Regarding the REACH Regulation, the information TE provides on SVHC in articles for this part number is based on the latest European Chemicals Agency (ECHA) 'Guidance on requirements for substances in articles' posted at this URL: <https://echa.europa.eu/guidance-documents/guidance-on-reach>

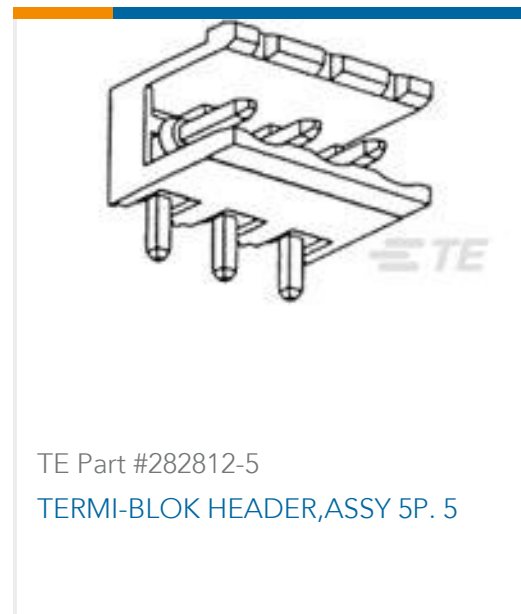
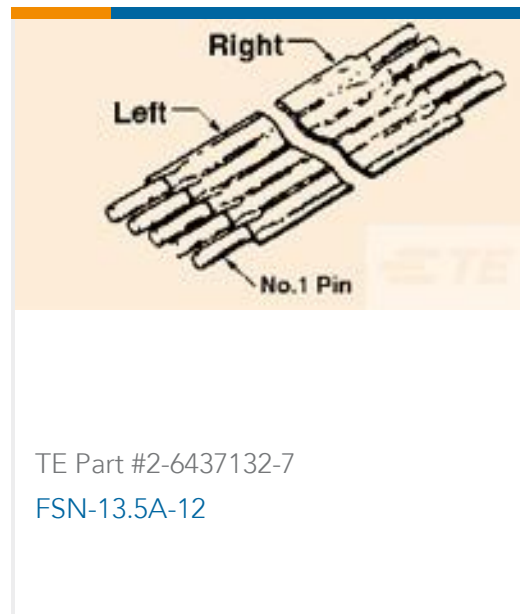
## Compatible Parts



## Also in the Series | MEAS M5200



## Customers Also Bought



## Documents

[CAD Files](#)

[3D PDF](#)

[3D](#)

[Customer View Model](#)

[ENG\\_CVM\\_CVM\\_M5254-000002-020BG\\_K.2d\\_dxf.zip](#)

English



Customer View Model

[ENG\\_CVM\\_CVM\\_M5254-000002-020BG\\_K.3d\\_igs.zip](#)

English

Customer View Model

[ENG\\_CVM\\_CVM\\_M5254-000002-020BG\\_K.3d\\_stp.zip](#)

English

By downloading the CAD file I accept and agree to the [Terms and Conditions](#) of use.

**Datasheets & Catalog Pages**

[M5200](#)

English