



Sensors > Pressure Sensors > Media Isolated Pressure Sensors



Pressure: [150 psi]

Media Isolated Pressure Sensor Type: **Media Isolated Analog Pressure Sensor Modules**

Media Isolated Pressure Sensor Style: **Gauge**

Output/Span: **.5 – 4.5 V**

Media Isolated Pressure Sensor Supply Voltage: **5 V**

Features

Product Type Features

Media Isolated Pressure Sensor Type	Media Isolated Analog Pressure Sensor Modules
Media Isolated Pressure Sensor Style	Gauge

Configuration Features

Electrical Connection	6" Ribbon Cable
-----------------------	-----------------

Electrical Characteristics

Media Isolated Pressure Sensor Supply Voltage	5 V
---	-----

Dimensions

Dimensions	Dia 15.82 x 9.3 mm [Dia .622 x .366 in]
------------	---

Usage Conditions

Total Error Band	± 3 %
Operating Temperature Range	-20 – 85 °C [-4 – 185 °F]

Operation/Application

Proof Pressure Range	3X
	150 psi
Output/Span	.5 – 4.5 V

Packaging Features

Media Isolated Pressure Sensor Package	O-Ring Mount
--	--------------



Product Compliance

[For compliance documentation, visit the product page on TE.com>](#)

EU RoHS Directive 2011/65/EU	Compliant with Exemptions
EU ELV Directive 2000/53/EC	Compliant
China RoHS 2 Directive MIIT Order No 32, 2016	Restricted Materials Above Threshold
EU REACH Regulation (EC) No. 1907/2006	Current ECHA Candidate List: JUNE 2023 (235) Candidate List Declared Against: JUNE 2023 (235) Does not contain REACH SVHC
Halogen Content	Not Yet Reviewed for halogen content
Solder Process Capability	Not reviewed for solder process capability

Product Compliance Disclaimer

This information is provided based on reasonable inquiry of our suppliers and represents our current actual knowledge based on the information they provided. This information is subject to change. The part numbers that TE has identified as EU RoHS compliant have a maximum concentration of 0.1% by weight in homogenous materials for lead, hexavalent chromium, mercury, PBB, PBDE, DBP, BBP, DEHP, DIBP, and 0.01% for cadmium, or qualify for an exemption to these limits as defined in the Annexes of Directive 2011/65/EU (RoHS2). Finished electrical and electronic equipment products will be CE marked as required by Directive 2011/65/EU. Components may not be CE marked. Additionally, the part numbers that TE has identified as EU ELV compliant have a maximum concentration of 0.1% by weight in homogenous materials for lead, hexavalent chromium, and mercury, and 0.01% for cadmium, or qualify for an exemption to these limits as defined in the Annexes of Directive 2000/53/EC (ELV). Regarding the REACH Regulation, the information TE provides on SVHC in articles for this part number is based on the latest European Chemicals Agency (ECHA) 'Guidance on requirements for substances in articles' posted at this URL: <https://echa.europa.eu/guidance-documents/guidance-on-reach>

Compatible Parts



Also in the Series | **MEAS 86 Series**

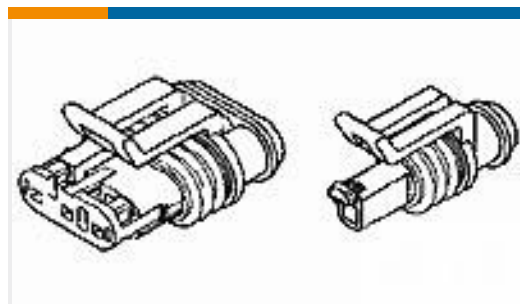


Media Isolated Pressure Sensors(40)

Customers Also Bought



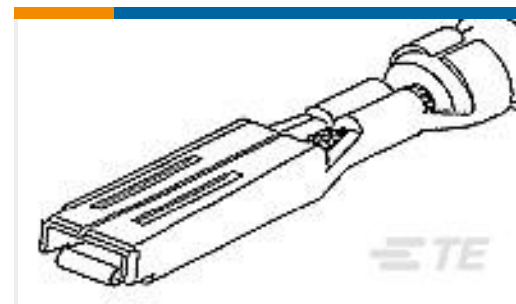
TE Part #827551-3
JUNIOR TIMER CONNECTOR-HSG



TE Part #282080-1
AMP SUPERSEAL 1.5 SERIES 2P PL



TE Part #880810-1
COVER CAP , 2 WAY



TE Part #282110-1
MINI MIC RCPT CONTACT



TE Part #9-1415001-5
V23132E2001A200

Documents

CAD Files

3D PDF

3D

Customer View Model

[ENG_CVM_CVM_86A3R-000000-150PG_B.2d_dxf.zip](#)

English

Customer View Model

[ENG_CVM_CVM_86A3R-000000-150PG_B.3d_igs.zip](#)

English

Customer View Model

[ENG_CVM_CVM_86A3R-000000-150PG_B.3d_stp.zip](#)

English

By downloading the CAD file I accept and agree to the [Terms and Conditions](#) of use.

Datasheets & Catalog Pages

86A

English

