



MEAS | MEAS M3200

TE Internal #: 20014203-08

TE Internal Description: PRESS XDCC M323M-000004-070BG

Compact Industrial Pressure Transducer

[View on TE.com >](#)

Sensors > Pressure Sensors > Pressure Transducers > Compact Industrial Pressure Transducer



Pressure Transducer Sensor Type: **Industrial Pressure Transducer**

Pressure Range: **0 – 70 bar**

Pressure Type: **Gauge**

Pressure Transducer Supply Voltage: **4.75 – 5.25 V**

Output/Span: **.5 – 4.5 V**

[All Compact Industrial Pressure Transducer \(39\)](#)

## Features

### Product Type Features

Pressure Transducer Sensor Type	Industrial Pressure Transducer
Pressure Type	Gauge

### Configuration Features

Electrical Connection	Cable 1 m
Pressure Port/Fitting	7/16-20 UNF MALE SAE J1926-2 STRT THD O-RING 90SH

### Electrical Characteristics

Pressure Transducer Supply Voltage	4.75 – 5.25 V
------------------------------------	---------------

### Dimensions

Dimensions	22.25 x 22.25 x 53.34 mm [.875 x .875 x 2.1 in]
------------	-------------------------------------------------

### Usage Conditions

Pressure	70 bar [1000 psi]
Operating Temperature Range	-40 – 105 °C [-40 – 221 °F]

### Operation/Application

Proof Pressure Range	2X Rated
Pressure Range	0 – 70 bar



Output/Span	.5 – 4.5 V
Pressure Accuracy	±0.25% FSO

**Other**

Sensor Options	Adhesive Label, No Snubber
----------------	----------------------------

**Product Compliance**

[For compliance documentation, visit the product page on TE.com>](#)

EU RoHS Directive 2011/65/EU	Compliant with Exemptions
EU ELV Directive 2000/53/EC	Out of Scope
China RoHS 2 Directive MIIT Order No 32, 2016	Restricted Materials Above Threshold
EU REACH Regulation (EC) No. 1907/2006	Current ECHA Candidate List: JUNE 2023 (235) Not Yet Reviewed
Halogen Content	Not Yet Reviewed for halogen content
Solder Process Capability	Not reviewed for solder process capability

Product Compliance Disclaimer

This information is provided based on reasonable inquiry of our suppliers and represents our current actual knowledge based on the information they provided. This information is subject to change. The part numbers that TE has identified as EU RoHS compliant have a maximum concentration of 0.1% by weight in homogenous materials for lead, hexavalent chromium, mercury, PBB, PBDE, DBP, BBP, DEHP, DIBP, and 0.01% for cadmium, or qualify for an exemption to these limits as defined in the Annexes of Directive 2011/65/EU (RoHS2). Finished electrical and electronic equipment products will be CE marked as required by Directive 2011/65/EU. Components may not be CE marked. Additionally, the part numbers that TE has identified as EU ELV compliant have a maximum concentration of 0.1% by weight in homogenous materials for lead, hexavalent chromium, and mercury, and 0.01% for cadmium, or qualify for an exemption to these limits as defined in the Annexes of Directive 2000/53/EC (ELV). Regarding the REACH Regulations, TE's information on SVHC in articles for this part number is still based on the European Chemical Agency (ECHA) 'Guidance on requirements for substances in articles' (Version: 2, April 2011), applying the 0.1% weight on weight concentration threshold at the finished product level. TE is aware of the European Court of Justice ruling of September 10th, 2015 also known as O5A (Once An Article Always An Article) stating that, in case of 'complex object', the threshold for a SVHC must be applied to both the product as a whole and simultaneously to each of the articles forming part of its composition. TE has evaluated this ruling based on the new ECHA "Guidance on requirements for substances in articles" (June 2017, version 4.0) and will be updating its statements accordingly.

**Compatible Parts**



## Also in the Series | MEAS M3200



Pressure Transducers(39)

## Customers Also Bought



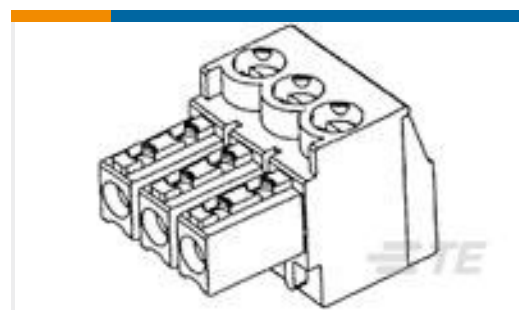
TE Part #202237-7  
Pin and Socket Contacts, Type III, LP



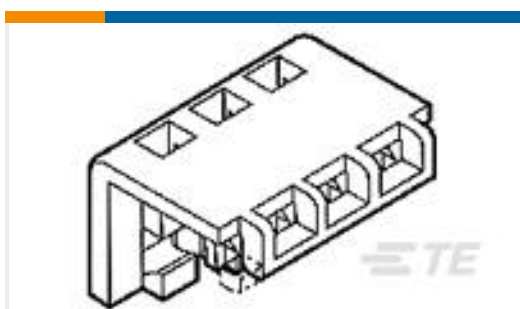
TE Part #32053  
PIDG SPD 22-16 COMM 22-18MIL 8



TE Part #20014203-09  
PRESS XDCR M323M-00000P-017BG



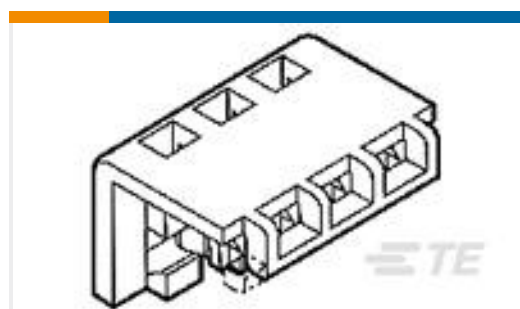
TE Part #284506-4  
4 POS TERMI-BLOK PLUG STACK 3,



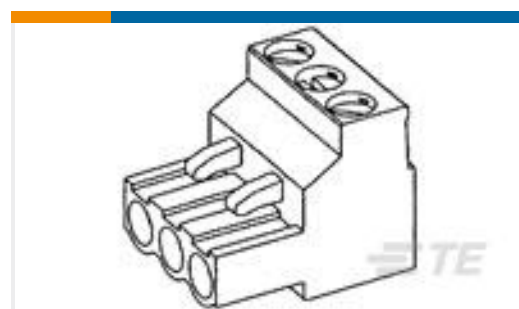
TE Part #643067-6  
06P MTA156 MOLDED COVER



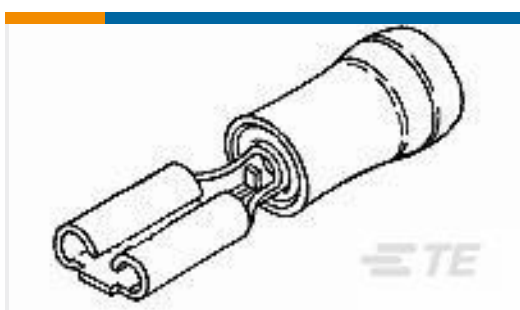
TE Part #2-1670916-1  
2POS, MCON 1.2 LL REC SEALED



TE Part #643067-3  
03P MTA156 MOLDED COVER



TE Part #796640-3  
3 POS 5.0 MM R/A PLUG,TRM BLK



TE Part #2-165565-1  
2,8 PIDG FASTON REC

## Documents

[CAD Files](#)

[3D PDF](#)

[3D](#)

[Customer View Model](#)

[ENG\\_CVM\\_CVM\\_20014203-08\\_H.2d\\_dxf.zip](#)

[English](#)

[Customer View Model](#)



[ENG\\_CVM\\_CVM\\_20014203-08\\_H.3d\\_igs.zip](#)

English

**Customer View Model**

[ENG\\_CVM\\_CVM\\_20014203-08\\_H.3d\\_stp.zip](#)

English

By downloading the CAD file I accept and agree to the [Terms and Conditions](#) of use.

---

**Datasheets & Catalog Pages**

**M3200 Pressure Transducer**

English