



Sensors > Pressure Sensors > Pressure Transducers



Pressure Transducer Sensor Type: **Industrial Pressure Transducer**

Pressure Range: **0 – 17 bar**

Pressure Type: **Gauge**

Pressure Transducer Supply Voltage: **5 V**

Output/Span: **0 – 100 mV**

## Features

### Product Type Features

Pressure Transducer Sensor Type	Industrial Pressure Transducer
Pressure Type	Gauge

### Configuration Features

Electrical Connection	Cable 2 ft
Pressure Port/Fitting	1/4 MBSPP

### Electrical Characteristics

Pressure Transducer Supply Voltage	5 V
------------------------------------	-----

### Dimensions

Dimensions	22.23 x 22.23 x 55.88 mm [.87 x .87 x 2.2 in]
------------	---

### Usage Conditions

Pressure	17 bar [246.56 psi]
Operating Temperature Range	-20 – 85 °C [-4 – 185 °F]

### Operation/Application

Proof Pressure Range	2X Rated
Pressure Range	0 – 17 bar
Output/Span	0 – 100 mV
Pressure Accuracy	±1% Span

### Other



Sensor Options	None
----------------	------

### Product Compliance

[For compliance documentation, visit the product page on TE.com>](#)

EU RoHS Directive 2011/65/EU	Compliant with Exemptions
EU ELV Directive 2000/53/EC	Compliant with Exemptions
China RoHS 2 Directive MIIT Order No 32, 2016	Restricted Materials Above Threshold
EU REACH Regulation (EC) No. 1907/2006	<p>Current ECHA Candidate List: JUNE 2023 (235)</p> <p>Candidate List Declared Against: JUNE 2023 (235)</p> <p>SVHC &gt; Threshold:</p> <p>Pb (4% in component)</p> <p>2-methyl-1-(4-methylthiophenyl)-2-morpholinopropan-1-one (.15% in Component)</p> <p><b>Article Safe Usage Statements:</b>                      Do not eat, drink or smoke when using this product. Wash thoroughly after handling. Recycle if possible and dispose of the article by following all applicable governmental regulations relevant to your geographic location.</p>

Halogen Content	Not Yet Reviewed for halogen content
-----------------	--------------------------------------

Solder Process Capability	Not reviewed for solder process capability
---------------------------	--

#### Product Compliance Disclaimer

This information is provided based on reasonable inquiry of our suppliers and represents our current actual knowledge based on the information they provided. This information is subject to change. The part numbers that TE has identified as EU RoHS compliant have a maximum concentration of 0.1% by weight in homogenous materials for lead, hexavalent chromium, mercury, PBB, PBDE, DBP, BBP, DEHP, DIBP, and 0.01% for cadmium, or qualify for an exemption to these limits as defined in the Annexes of Directive 2011/65/EU (RoHS2). Finished electrical and electronic equipment products will be CE marked as required by Directive 2011/65/EU. Components may not be CE marked. Additionally, the part numbers that TE has identified as EU ELV compliant have a maximum concentration of 0.1% by weight in homogenous materials for lead, hexavalent chromium, and mercury, and 0.01% for cadmium, or qualify for an exemption to these limits as defined in the Annexes of Directive 2000/53/EC (ELV). Regarding the REACH Regulation, the information TE provides on SVHC in articles for this part number is based on the latest European Chemicals Agency (ECHA) 'Guidance on requirements for substances in articles' posted at this URL: <https://echa.europa.eu/guidance-documents/guidance-on-reach>

### Also in the Series | MEAS MSP300



Pressure Transducers(21)

## Customers Also Bought



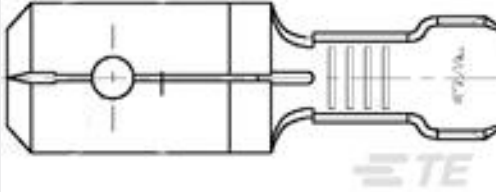
TE Part #1478762-9  
METAL BACKSHELL 9 WAY TOP E



TE Part #5-747905-2  
9 Rcpt Solder Cup, Gold Flash,



TE Part #1825910-6  
FSM4JH=6MM TACT SWITCH, HIGH TEMP



TE Part #42474-2  
250 FASTON TAB 18-14 AWG TPBR



TE Part #7-1393250-3  
W28-XT1A-8=W28



TE Part #5-520183-2  
ULTRA-FAST 250 ASY REC 22-18 AWG TPBR



TE Part #2176250-9  
TJT 500W 22R 5%



TE Part #1SNL316010R0000  
DBL160

## Documents

### CAD Files

3D PDF

3D

Customer View Model

[ENG\\_CVM\\_CVM\\_M3051-000002-017BG\\_H.2d\\_dxf.zip](#)

English

Customer View Model

[ENG\\_CVM\\_CVM\\_M3051-000002-017BG\\_H.3d\\_igs.zip](#)

English

Customer View Model

[ENG\\_CVM\\_CVM\\_M3051-000002-017BG\\_H.3d\\_stp.zip](#)

English

By downloading the CAD file I accept and agree to the [Terms and Conditions](#) of use.

### Datasheets & Catalog Pages

MSP300

English