



MEAS | MEAS 86 Series

TE Internal #: 86-005G-CT

TE Internal Description: 5 PSIG MV VENT TUBE PRESSURE SENSOR

MV Output Pressure Sensor, 16 mm

[View on TE.com >](#)

Sensors > Pressure Sensors > Media Isolated Pressure Sensors > MV Output Pressure Sensor, 16 mm



Pressure: [5 psi]

Media Isolated Pressure Sensor Type: **Media Isolated mV Output Pressure Sensors**

Media Isolated Pressure Sensor Style: **Gauge**

Output/Span: **100mV**

Operating Temperature Range: **-40 – 125 °C [-40 – 257 °F]**

[All MV Output Pressure Sensor, 16 mm \(29\)](#)

Features

Product Type Features

| | |
|--------------------------------------|---|
| Media Isolated Pressure Sensor Type | Media Isolated mV Output Pressure Sensors |
| Media Isolated Pressure Sensor Style | Gauge |

Configuration Features

| | |
|-----------------------|--------------------------------|
| Electrical Connection | 6" Ribbon Cable with Connector |
|-----------------------|--------------------------------|

Electrical Characteristics

| | |
|----------------|--------|
| Supply Current | 1.5 mA |
|----------------|--------|

Dimensions

| | |
|------------|--|
| Dimensions | Dia 15.82 x 11.4 mm [Dia .622 x .448 in] |
|------------|--|

Usage Conditions

| | |
|-----------------------------|-------------------------------|
| Operating Temperature Range | -40 – 125 °C [-40 – 257 °F] |
|-----------------------------|-------------------------------|

Operation/Application

| | |
|----------------------|-------|
| Proof Pressure Range | 3X |
| | 5 psi |
| Output/Span | 100mV |

Packaging Features

| | |
|--|--------------|
| Media Isolated Pressure Sensor Package | O-Ring Mount |
|--|--------------|



Other

| | |
|----------------|-----------|
| Non-Linearity | ± .1 % |
| Sensor Options | Vent Tube |

Product Compliance

[For compliance documentation, visit the product page on TE.com>](#)

| | |
|---|---|
| EU RoHS Directive 2011/65/EU | Compliant with Exemptions |
| EU ELV Directive 2000/53/EC | Compliant with Exemptions |
| China RoHS 2 Directive MIIT Order No 32, 2016 | Restricted Materials Above Threshold |
| EU REACH Regulation (EC) No. 1907/2006 | Current ECHA Candidate List: JUNE 2023 (235) Candidate List Declared Against: JUNE 2023 (235) Does not contain REACH SVHC |
| Halogen Content | Not Yet Reviewed for halogen content |
| Solder Process Capability | Not reviewed for solder process capability |

Product Compliance Disclaimer

This information is provided based on reasonable inquiry of our suppliers and represents our current actual knowledge based on the information they provided. This information is subject to change. The part numbers that TE has identified as EU RoHS compliant have a maximum concentration of 0.1% by weight in homogenous materials for lead, hexavalent chromium, mercury, PBB, PBDE, DBP, BBP, DEHP, DIBP, and 0.01% for cadmium, or qualify for an exemption to these limits as defined in the Annexes of Directive 2011/65/EU (RoHS2). Finished electrical and electronic equipment products will be CE marked as required by Directive 2011/65/EU. Components may not be CE marked. Additionally, the part numbers that TE has identified as EU ELV compliant have a maximum concentration of 0.1% by weight in homogenous materials for lead, hexavalent chromium, and mercury, and 0.01% for cadmium, or qualify for an exemption to these limits as defined in the Annexes of Directive 2000/53/EC (ELV). Regarding the REACH Regulation, the information TE provides on SVHC in articles for this part number is based on the latest European Chemicals Agency (ECHA) 'Guidance on requirements for substances in articles' posted at this URL: <https://echa.europa.eu/guidance-documents/guidance-on-reach>

Compatible Parts

| | | |
|--|--|--|
|  <p>TE Part # CAT-MIPS0020 MV Output Pressure Sensor, 16 mm</p> |  <p>TE Part # 86-005G-C 5 PSIG MV PRESSURE SENSOR</p> |  <p>TE Part # 86-005A-C 5 PSI ABSOLUTE MV PRESSURE SENSOR</p> |
|--|--|--|

Also in the Series | **MEAS 86 Series**

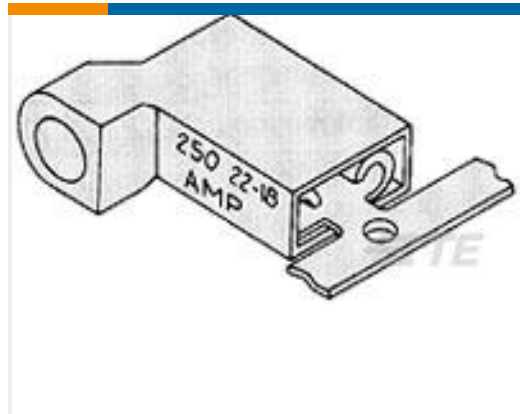


Media Isolated Pressure Sensors(40)

Customers Also Bought



TE Part #T4031017041-000
M8.FMLE.PNLREAR.4POS.STR



TE Part #3-520133-2
ULTRA-FAST 250 ASY REC 16-14 AWG
TPBR



TE Part #1838274-4
M12 Fld Ser CONN. Female Skt Sldr



TE Part #85-015G-FC
15 PSIG FLUSH MOUNT PRESSURE
SENSOR



TE Part #86-050G-RT
50 PSIG MV VENT TUBE PRESSURE
SENSOR



TE Part #4-2176456-4
CPF 0603 2R8 0.1% 25ppm 1K RL

Documents

CAD Files

3D PDF

3D

Customer View Model

[ENG_CVM_CVM_86-005G-CT_G1.2d_dxf.zip](#)

English

Customer View Model

[ENG_CVM_CVM_86-005G-CT_G1.3d_igs.zip](#)

English

Customer View Model

[ENG_CVM_CVM_86-005G-CT_G1.3d_stp.zip](#)

English

By downloading the CAD file I accept and agree to the [Terms and Conditions](#) of use.

Datasheets & Catalog Pages

86C

English

