

# 4525DO-SS5AI100GP ✓ ACTIVE

MEAS | MEAS MS4525DO

TE Internal #: 4525DO-SS5AI100GP

Digital Pressure and Altimeter Sensor Modules, Gauge, 100 psi,  
Output/Span 14 bit ADC, ±0.25% Span, Supply Voltage 5 V, MEAS  
MS4525DO

[View on TE.com >](#)



Sensors > Pressure Sensors > Board Mount Pressure Sensors > PCB MOUNTED DIGITAL PRESSURE SENSOR



Board Level Pressure Sensor Type: **Digital Pressure and Altimeter Sensor Modules**

Board Level Pressure Sensor Style: **Gauge**

Proof Pressure Range: **300 psi**

Pressure: [ **100 psi** ]

Output/Span: **14 bit ADC**

## Features

### Product Type Features

Board Level Pressure Sensor Type	Digital Pressure and Altimeter Sensor Modules
Board Level Pressure Sensor Style	Gauge

### Configuration Features

Leads/Pins	Through Hole
------------	--------------

### Electrical Characteristics

Supply Current	3 mA
Board Level Pressure Sensor Supply Voltage	5 V

### Dimensions

Dimensions	12.5 x 9.9 mm [.49 x .39 in]
------------	------------------------------

### Usage Conditions

Operating Temperature Range	-25 – 105 °C [-13 – 221 °F]
-----------------------------	-----------------------------

### Operation/Application

Interface Type	I2C (Addr.0x28H)
Output Interface	I2C or SPI
Proof Pressure Range	300 psi
	100 psi



Output/Span	14 bit ADC
-------------	------------

Board Level Pressure Sensor Accuracy	$\pm 0.25\%$ Span
--------------------------------------	-------------------

### Packaging Features

Package Style	Single Sideport
---------------	-----------------

### Other

Sensor Options	No Option
----------------	-----------

## Product Compliance

[For compliance documentation, visit the product page on TE.com>](#)

EU RoHS Directive 2011/65/EU	Compliant
------------------------------	-----------

EU ELV Directive 2000/53/EC	Compliant
-----------------------------	-----------

China RoHS 2 Directive MIIT Order No 32, 2016	No Restricted Materials Above Threshold
---	---

EU REACH Regulation (EC) No. 1907/2006	Current ECHA Candidate List: JUNE 2023 (235) Candidate List Declared Against: JUNE 2023 (235) Does not contain REACH SVHC
--	---

Halogen Content	Not Yet Reviewed for halogen content
-----------------	--------------------------------------

Solder Process Capability	Not reviewed for solder process capability
---------------------------	--

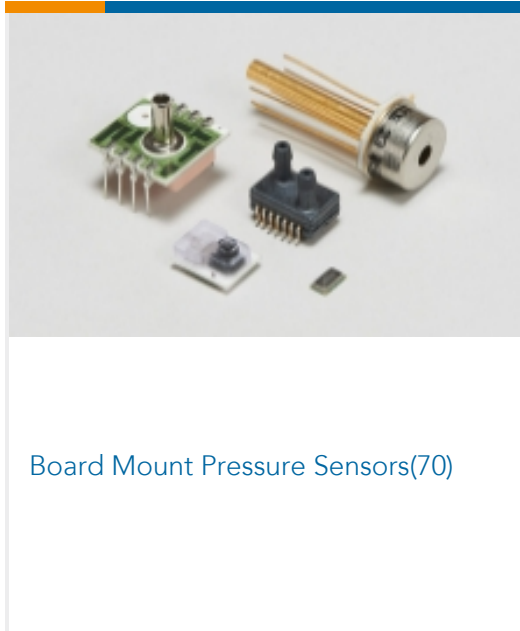
#### Product Compliance Disclaimer

This information is provided based on reasonable inquiry of our suppliers and represents our current actual knowledge based on the information they provided. This information is subject to change. The part numbers that TE has identified as EU RoHS compliant have a maximum concentration of 0.1% by weight in homogenous materials for lead, hexavalent chromium, mercury, PBB, PBDE, DBP, BBP, DEHP, DIBP, and 0.01% for cadmium, or qualify for an exemption to these limits as defined in the Annexes of Directive 2011/65/EU (RoHS2). Finished electrical and electronic equipment products will be CE marked as required by Directive 2011/65/EU. Components may not be CE marked. Additionally, the part numbers that TE has identified as EU ELV compliant have a maximum concentration of 0.1% by weight in homogenous materials for lead, hexavalent chromium, and mercury, and 0.01% for cadmium, or qualify for an exemption to these limits as defined in the Annexes of Directive 2000/53/EC (ELV). Regarding the REACH Regulation, the information TE provides on SVHC in articles for this part number is based on the latest European Chemicals Agency (ECHA) 'Guidance on requirements for substances in articles' posted at this URL: <https://echa.europa.eu/guidance-documents/guidance-on-reach>

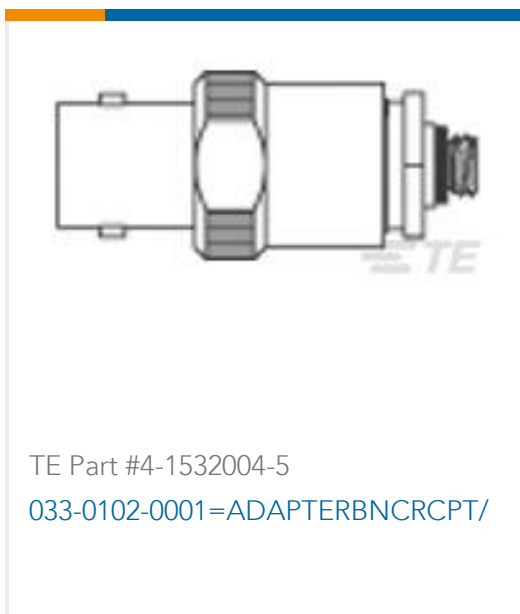
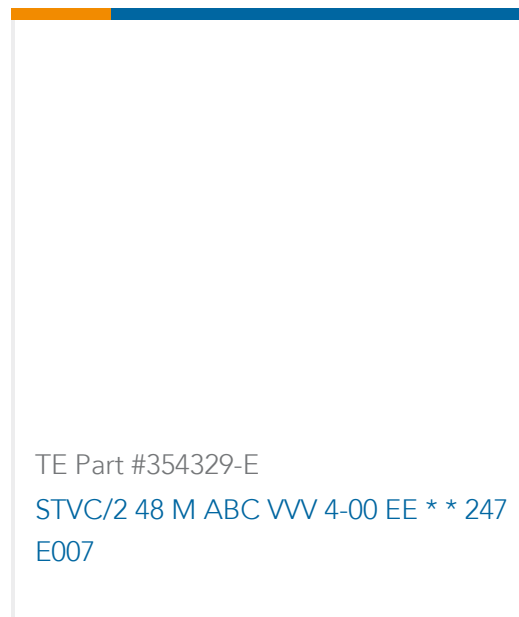
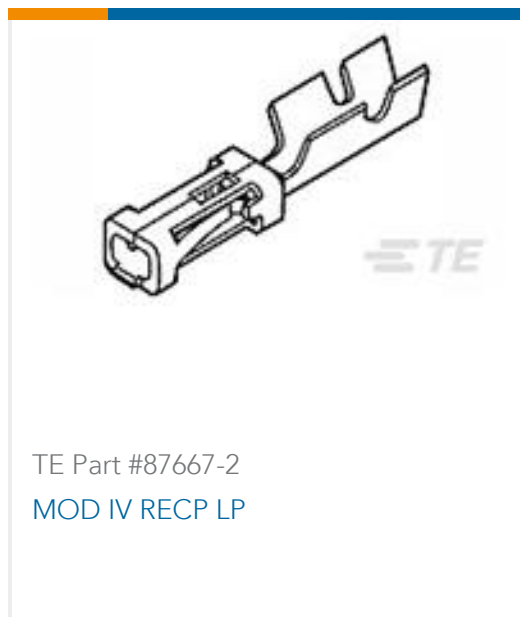
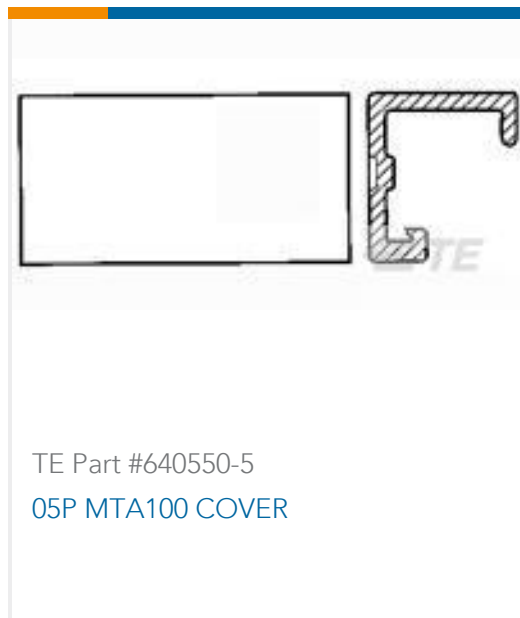
## Compatible Parts



### Also in the Series | MEAS MS4525DO



### Customers Also Bought





## Documents

### CAD Files

Customer View Model

[ENG\\_CVM\\_CVM\\_4525DO-SS5AI100GP\\_D.3d\\_stp.zip](#)

English

Customer View Model

[ENG\\_CVM\\_CVM\\_4525DO-SS5AI100GP\\_D.2d\\_dxf.zip](#)

English

Customer View Model

[ENG\\_CVM\\_CVM\\_4525DO-SS5AI100GP\\_D.3d\\_igs.zip](#)

English

### 3D PDF

3D

By downloading the CAD file I accept and agree to the [Terms and Conditions](#) of use.

### Datasheets & Catalog Pages

[Data sheet](#)

English

### Product Specifications

[MS45xx Series Surface Models](#)

English