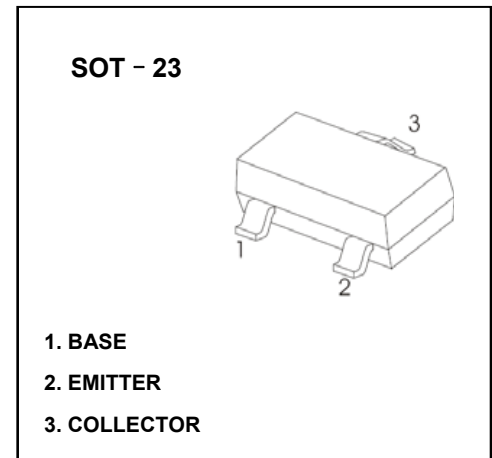


■ Features

- Power Dissipation of 300mW
- High Stability and High Reliability
- Transistor(NPN)

■ Mechanical Data

- package:SOT-23
- Flammability rating of epoxy resin: UL 94V-0
- Mounting Position: Any



■ Ordering Information

Part Number	Package	Marking	Packing	Quantity per reel	Reel Size
MMBT4401	SOT-23	2X	Tape & Reel	3,000 PCS	7 inches

■ Maximum Ratings & Thermal Characteristics(Ratings at 25 °C ambient temperature unless otherwise specified.)

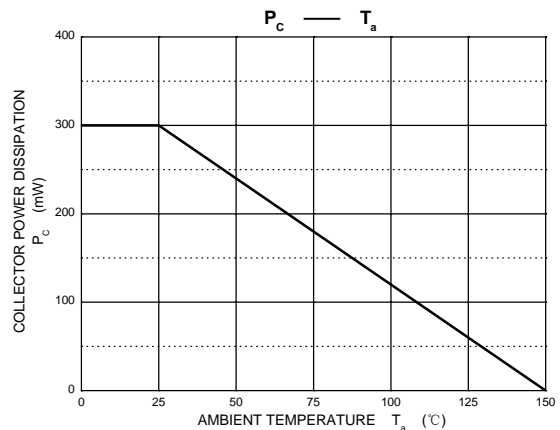
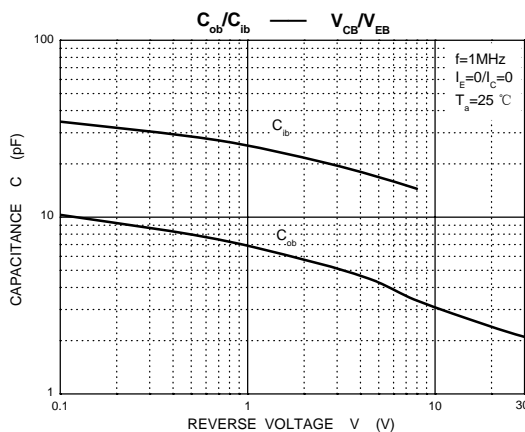
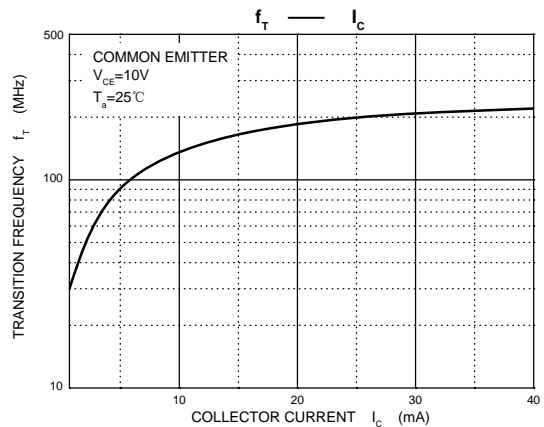
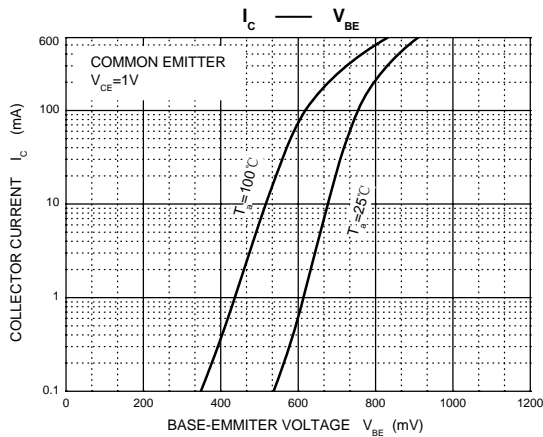
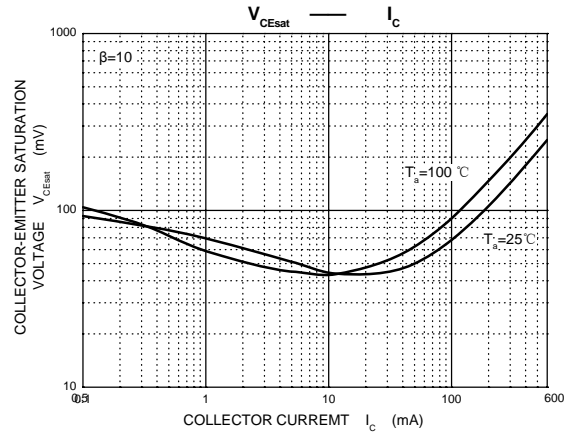
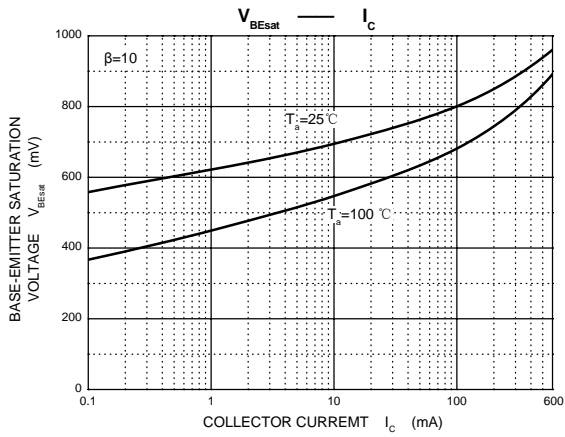
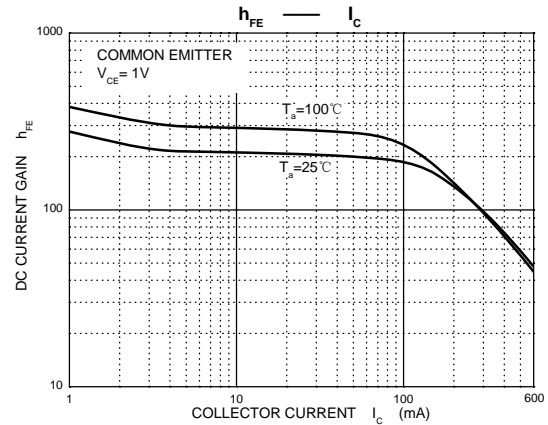
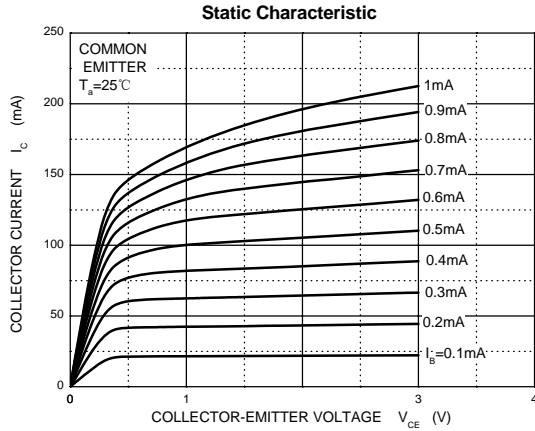
Parameters	Symbol	Value	Unit
Collector-Base Voltage	V_{CBO}	60	V
Collector-Emitter Voltage	V_{CEO}	40	V
Emitter -Base Voltage	V_{EBO}	6	V
Collector Current-Continuous	I_C	600	mA
Collector Power Dissipation	P_C	300	mW
Junction Temperature	T_j	150	°C
Storage Temperature	T_{stg}	-55-+150	°C
Thermal resistance From junction to ambient	$R_{\theta JA}$	417	°C/W

Electrical Characteristics(Ratings at 25°C ambient temperature unless otherwise specified)

Parameter	Symbols	Test Condition	Limits		Unit
			Min	Max	
Collector-base breakdown voltage	V(BR)CBO	IC=100uA, IE=0	60		V
Collector-emitter breakdown voltage	V(BR)CEO	IC=1mA, IB=0	40		V
Emitter-base breakdown voltage	V(BR)EBO	IE=100uA, IC=0	6		V
Collector cut-off current	ICBO	VCE=50V, IE=0		100	nA
Collector cut-off current	ICEX	VCE=35V, VEB(off)=0.4V		100	nA
Emitter cut-off current	IEBO	VEB=5V, IC=0		100	nA
DC current gain	hFE(1)	VCE=1V, IC=0.1mA	20		
	hFE(2)	VCE=1V, IC=1mA	40		
	hFE(3)	VCE=1V, IC=10mA	80		
	hFE(4)	VCE=1V, IC=150mA	100	300	
	hFE(5)	VCE=1V, IC=500mA	40		
Collector-emitter saturation voltage	VCE(sat)	IC=150mA, IB=15mA		0.40	V
		IC=500mA, IB=50mA		0.75	V
Base -emitter saturation voltage	VBE(sat)	IC=150mA, IB=15mA		0.95	V
		IC=500mA, IB=50mA		1.20	V
Transition frequency	fr	VCE=10V, IC=20mA, f=100MHz	250		MHz
Delay time	td	VCC=30V, VBE(off)=-2V, IC=150mA, IB1=15mA		15	nS
Rise time	tr			20	nS
Storage time	ts			225	nS
Fall time	tf	VCC=30V, IC=150mA, IB1=IB2=15mA		60	nS

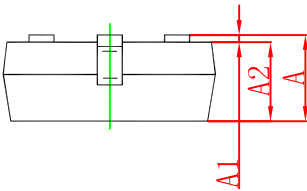
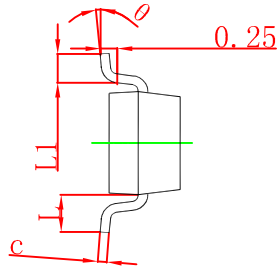
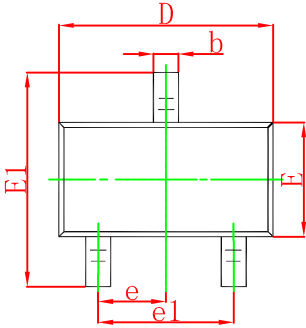


■ Typical Characteristics





■ SOT-23 Package Outline Dimensions



Symbol	Dimensions In Millimeters		Dimensions In Inches	
	Min	Max	Min	Max
A	0.900	1.150	0.035	0.045
A1	0.000	0.100	0.000	0.004
A2	0.900	1.050	0.035	0.041
b	0.300	0.500	0.012	0.020
c	0.080	0.150	0.003	0.006
D	2.800	3.000	0.110	0.118
E	1.200	1.400	0.047	0.055
E1	2.250	2.550	0.089	0.100
e	0.950 TYP		0.037 TYP	
e1	1.800	2.000	0.071	0.079
L	0.550 REF		0.022 REF	
L1	0.300	0.500	0.012	0.020
θ	0°	8°	0°	8°