



■ Features

- Fast Switching Device (TRR <4.0 nS)
- Power Dissipation of 200mW
- High Stability and High Reliability
- Low reverse leakage

■ Applications

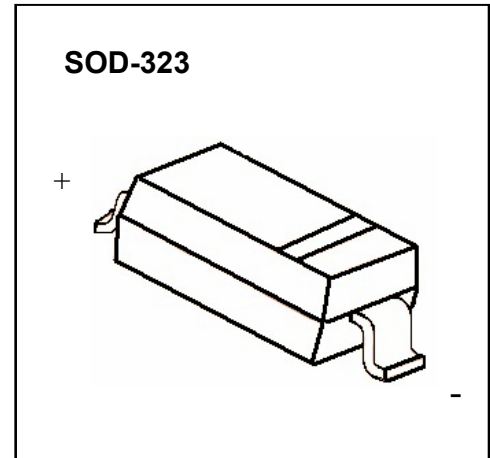
- For General Purpose Switching Applications

■ Mechanical Data

- package:SOD-323
- Polarity: Color band denotes cathode end
- Flammability rating of epoxy resin: UL 94V-0
- Mounting Position: Any

■ Ordering Information

Part Number	Package	Marking	Packing	Quantity per reel	Reel Size
1N4148WS	SOD-323	T4	Tape & Reel	3,000 PCS	7 inches



Maximum Ratings & Thermal Characteristics(Ratings at 25 °C ambient temperature unless otherwise specified.)

Parameters	Symbol	Value	Unit
Reverse Voltage	V _R	75	V
Peak Reverse Voltage	V _{RM}	100	V
Power Dissipation	P _d	200	mW
Operating junction temperature	T _j	150	°C
Storage temperature range	T _s	-55-+150	°C
Thermal Resistance from Junction to Ambient	R _{θJA}	625	°C/W
Working Inverse Voltage	W _{IV}	75	V
Average Rectified Current	I _o	150	mA
Forward Continuous Current	I _{FM}	300	mA
Non-repetitive Peak Forward Surge Current @t=8.3ms	I _{FSM}	2.0	A

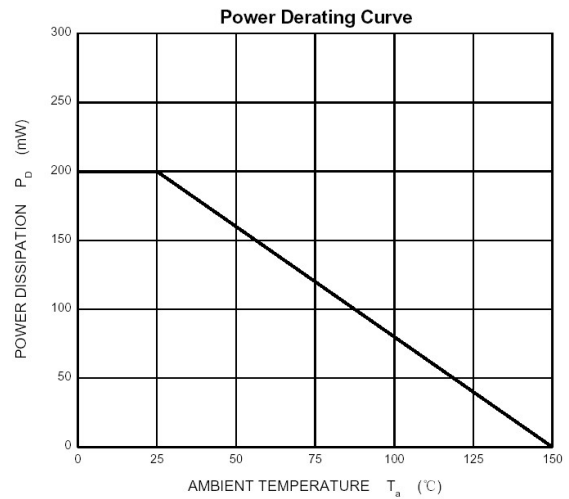
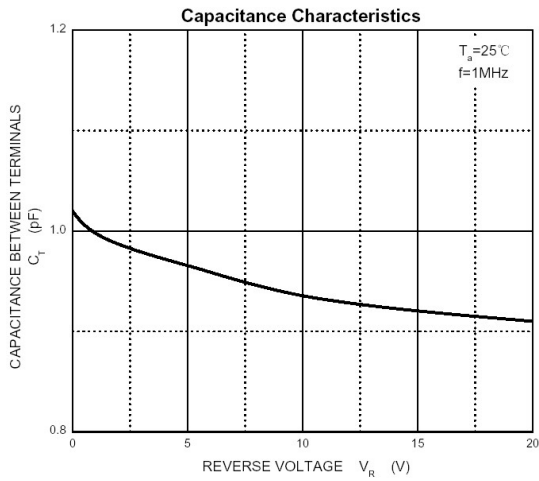
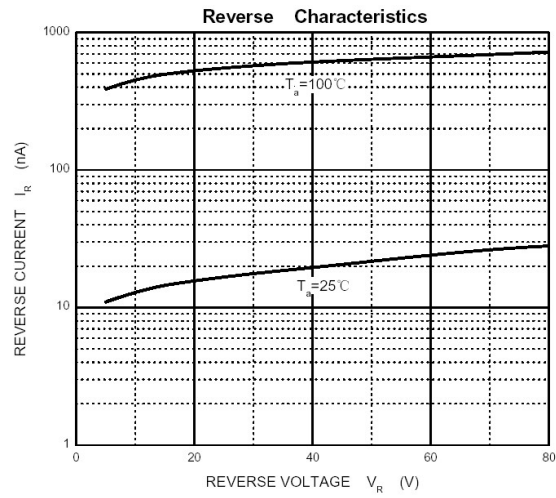
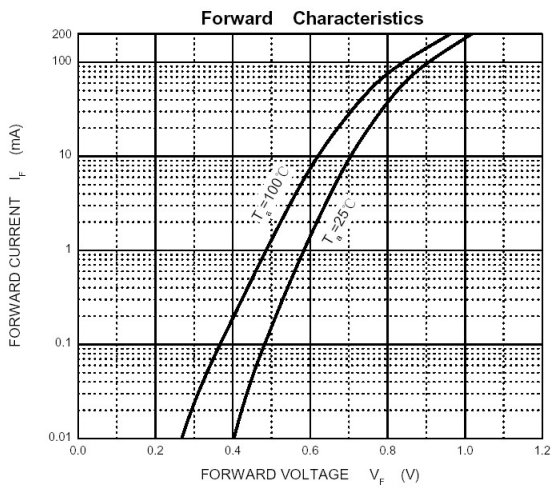
Valid provided that electrodes are kept at ambient temperature.

Electrical Characteristics(Ratings at 25 °C ambient temperature unless otherwise specified)

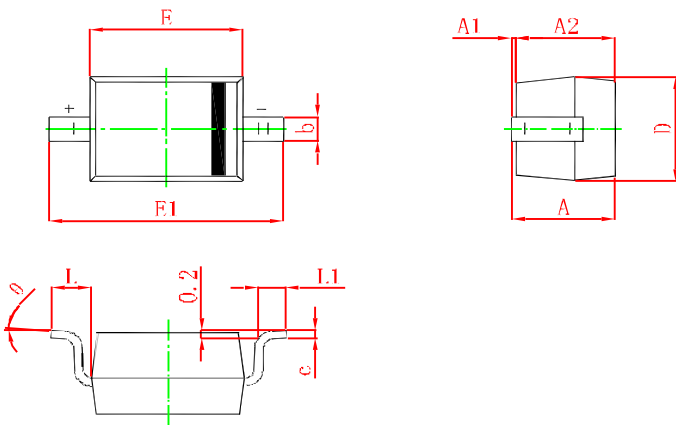
Symbols	Parameter	Test Condition	Limits		Unit
			Min	Max	
BV	Breakdown Voltage	IR=100uA	100		V
		IR=5uA	75		
IR	Reverse Leakage Current	VR=20V	---	25	nA
		VR=75	---	1	uA
VF	Forward Voltage	IF=1.0mA	---	0.715	V
		IF=10mA	---	0.855	
		IF=50mA	---	1.00	
		IF=150mA	---	1.25	
TRR	Reverse Recovery Time	IF= IR=10mA RL=100Ω IRR=0.1 X IR	---	4	nS
CT	Capacitance	VR=0V, f=1MHZ	---	2	pF



■ Typical Characteristics



■ SOD-323 Package Outline Dimensions



Symbol	Min.(mm)	Max.(mm)
A		1.000
A1	0.000	0.100
A2	0.800	0.900
b	0.250	0.350
c	0.080	0.150
D	1.200	1.400
E	1.600	1.800
E1	2.500	2.700
L	0.475REF	
L1	0.250	0.400
θ	0°	8°