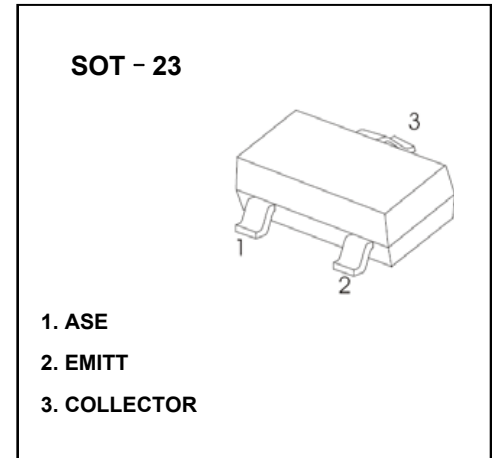


■ Features

- Complementary to MMBT3904
- Power Dissipation of 200mW
- High Stability and High Reliability
- Transistor(PNP)

■ Mechanical Data

- package:SOT-23
- Flammability rating of epoxy resin: UL 94V-0
- Mounting Position: Any



■ Ordering Information

Part Number	Package	Marking	Packing	Quantity per reel	Reel Size
MMBT3906	SOT-23	2A	Tape & Reel	3,000 PCS	7 inches

■ Maximum Ratings & Thermal Characteristics(Ratings at 25 °C ambient temperature unless otherwise specified.)

Parameters	Symbol	Value	Unit
Collector-Base Voltage	VCBO	-40	V
Collector-Emitter Voltage	VCEO	-40	V
Emitter -Base Voltage	VEBO	-5	V
Collector Current-Continuous	IC	-200	mA
Collector Power Dissipation	PC	200	mW
Junction Temperature	Tj	150	°C
Storage Temperature	Tstg	-55-+150	°C
Thermal resistance From junction to ambient	RθJA	625	°C/W

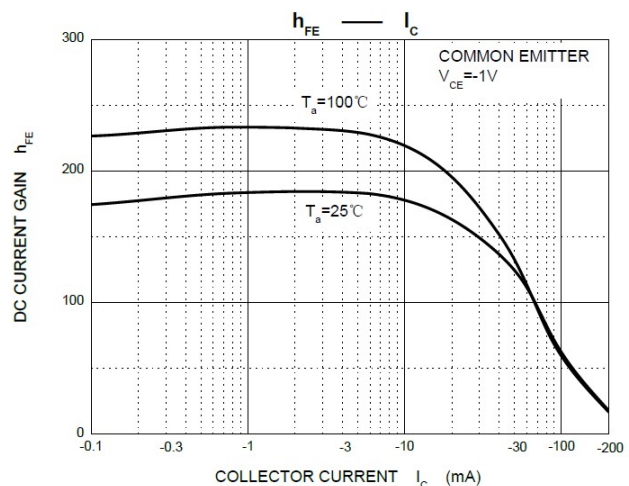
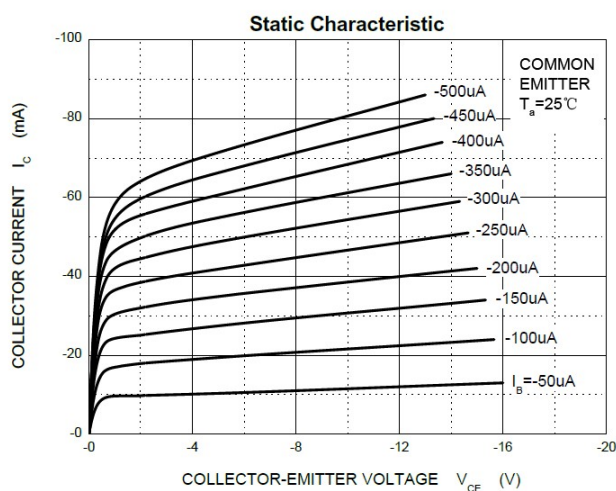
■ **Electrical Characteristics**(Ratings at 25°C ambient temperature unless otherwise specified)

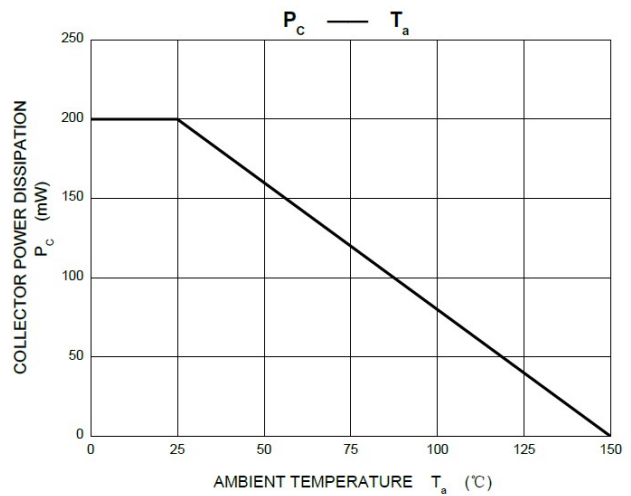
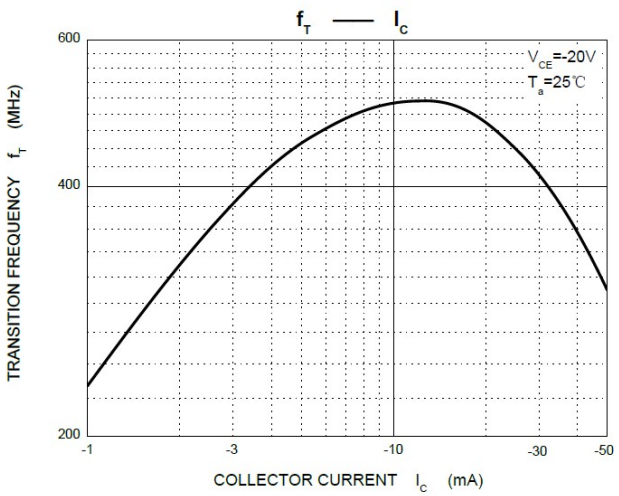
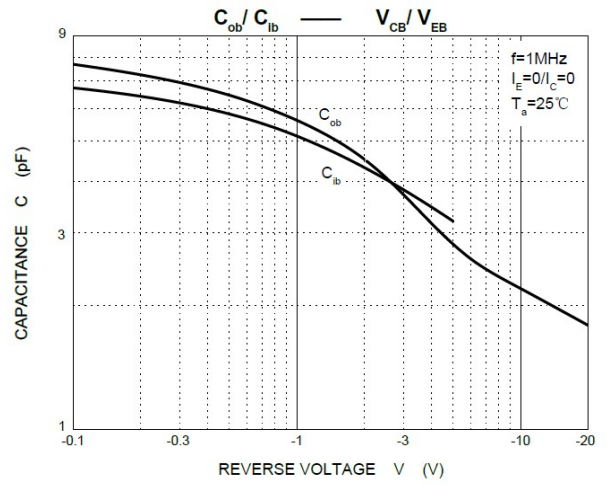
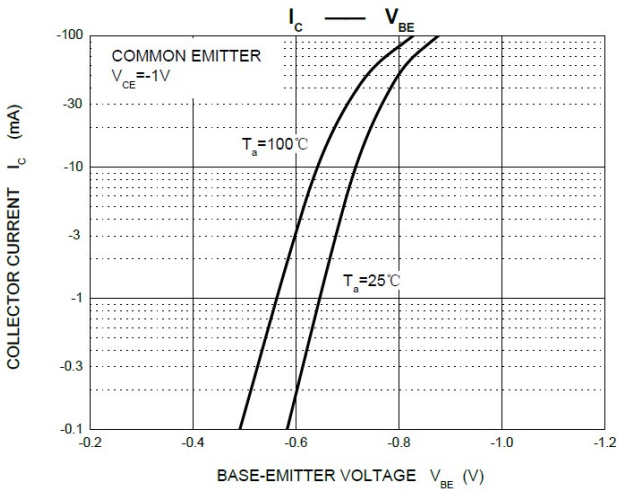
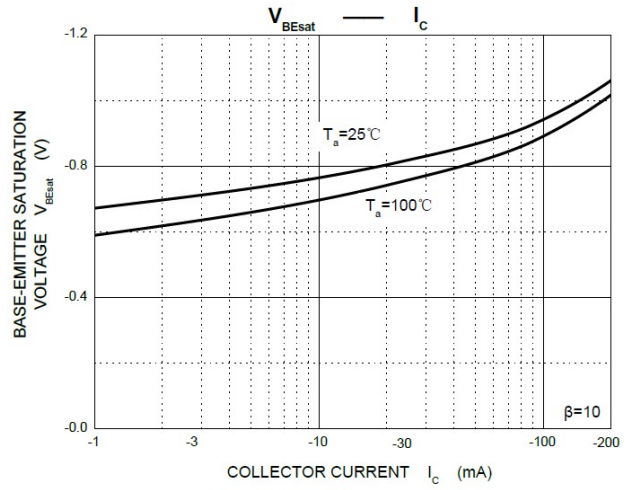
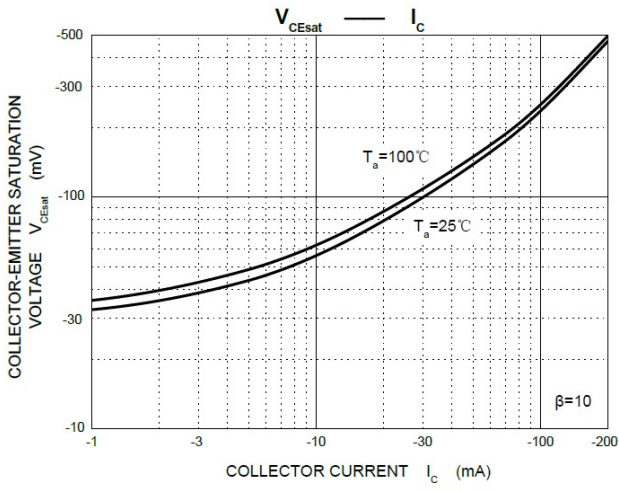
Parameter	Symbols	Test Condition	Limits		Unit
			Min	Max	
Collector-base breakdown voltage	V(BR)CBO	IC=-10uA, IE=0	-40		V
Collector-emitter breakdown voltage	V(BR)CEO	IC=-1mA, IB=0	-40		V
Emitter-base breakdown voltage	V(BR)EBO	IE=-10uA, IC=0	-5		V
Collector cut-off current	ICEX	VCE=-30V, VEB(off)=-3V		-100	nA
Collector cut-off current	ICBO	VCB=-40V, IE=0		-50	nA
Emitter cut-off current	IEBO	VEB=-5V, IC=0		-50	nA
DC current gain	hFE(1)	VCE=-1V, IC=-10mA	100	300	
	hFE(2)	VCE=-1V, IC=-50mA	60		
	hFE(3)	VCE=-1V, IC=-100mA	30		
Collector-emitter saturation voltage	VCE(sat)1	IC=-50mA, IB=-5mA		-0.30	V
Base -emitter saturation voltage	VBE(sat)	IC=-50mA, IB=-5mA		-0.95	V
Transition frequency	fT	VCE=-20V, IC=-10mA, f=100MHz	300		MHz
Delay time	td	VCC=-3V, VBE(off)=-0.5V, IC=-10mA, IB1=-1mA		35	nS
Rise time	tr	VCC=-3V, VBE(off)=-0.5V, IC=-10mA, IB1=-1mA		35	nS
Storage time	ts	VCC=-3V, IC=-10mA, IB1=IB2=-1mA		225	nS
Fall time	tf	VCC=-3V, IC=-10mA, IB1=IB2=-1mA		75	nS

■ **Classification Of hFE(1)**

HFE	100-300	
RANK	L	H
RANGE	100-200	200-300

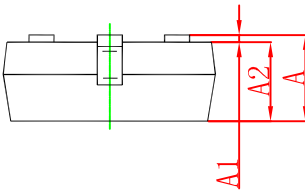
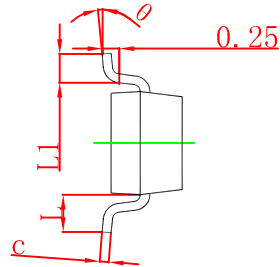
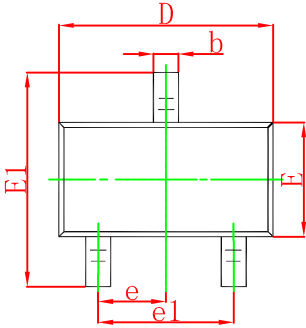
■ **Typical Characteristics**







■ SOT-23 Package Outline Dimensions



Symbol	Dimensions In Millimeters		Dimensions In Inches	
	Min	Max	Min	Max
A	0.900	1.150	0.035	0.045
A1	0.000	0.100	0.000	0.004
A2	0.900	1.050	0.035	0.041
b	0.300	0.500	0.012	0.020
c	0.080	0.150	0.003	0.006
D	2.800	3.000	0.110	0.118
E	1.200	1.400	0.047	0.055
E1	2.250	2.550	0.089	0.100
e	0.950 TYP		0.037 TYP	
e1	1.800	2.000	0.071	0.079
L	0.550 REF		0.022 REF	
L1	0.300	0.500	0.012	0.020
θ	0°	8°	0°	8°