



### ■ Features

- High Current Capability
- Low Forward Voltage Drop
- Low IR

### ■ Applications

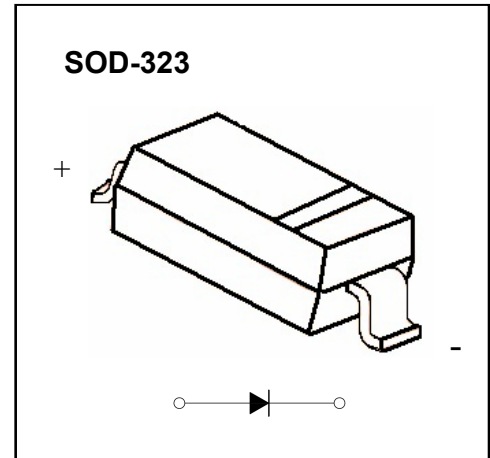
- For use in low voltage, high frequency inverters
- High surge current capability

### ■ Mechanical Data

- package:SOD-323
- Polarity: Color band denotes cathode end
- Flammability rating of epoxy resin: UL 94V-0
- Mounting Position: Any

### ■ Ordering Information

Part Number	Package	Marking	Packing	Quantity per reel	Reel Size
B16WS	SOD-323	SM	Tape & Reel	3,000 PCS	7 inches



**■ Maximum Ratings & Thermal Characteristics**(Ratings at 25 °C ambient temperature unless otherwise specified.)

Parameters	Symbol	Value	Unit
Maximum repetitive peak reverse voltage	VRRM	60	V
Maximum RMS voltage	VRMS	42	V
Maximum DC blocking voltage	VDC	60	V
Maximum average forward rectified current	IFM	1	A
Peak forward surge current 8.3 ms single half sine-wave	IFSM	10	A
Typical thermal resistance	R $\theta$ JA	400	°C/W
Power Dissipation	PD	250	mW
Junction temperature	T <sub>j</sub>	125	°C
Storage temperature range	TSTG	-55-+150	°C

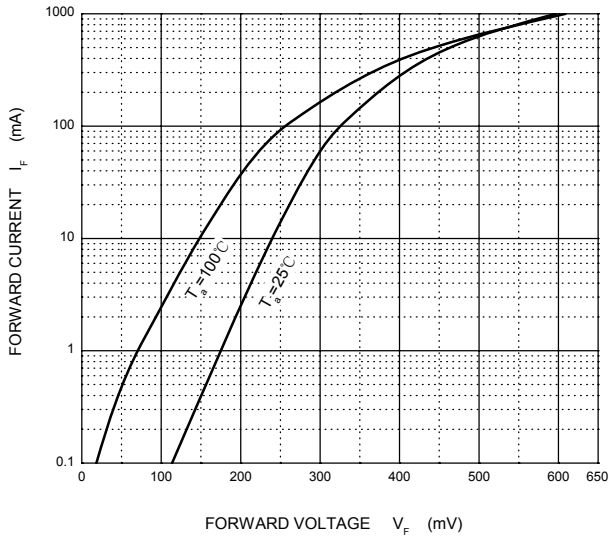
**■ Electrical Characteristics**(Ratings at 25 °C ambient temperature unless otherwise specified)

Parameters	Symbol	Test conditions	Value	Unit
Maximum forward voltage	V <sub>F</sub>	IF = 1.0A	0.70(max.)	V
Maximum reverse current	I <sub>R</sub>	VR=60V	100(max.)	uA

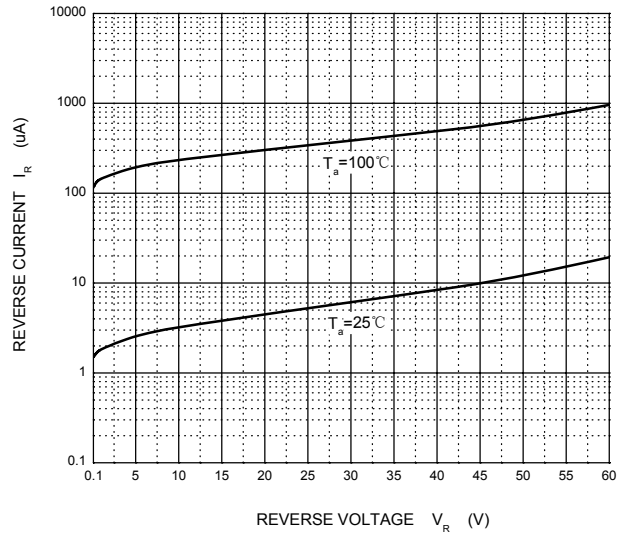


### ■ Typical Characteristics

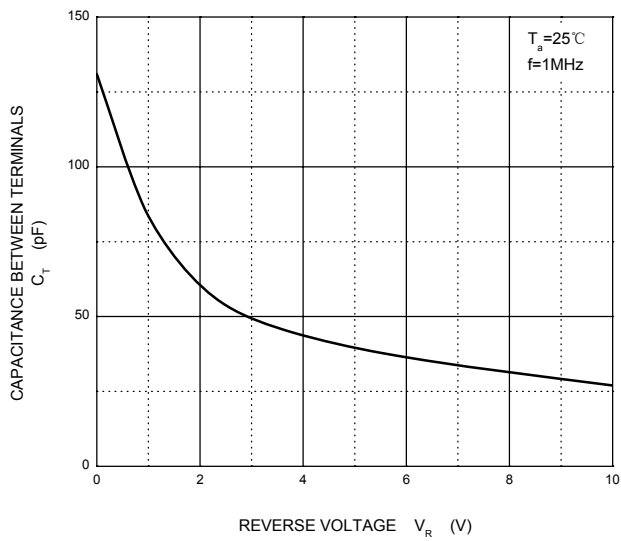
Forward Characteristics



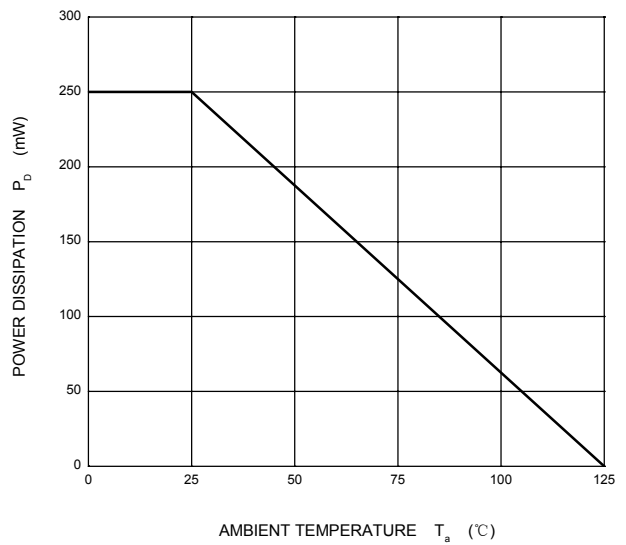
Reverse Characteristics



Capacitance Characteristics

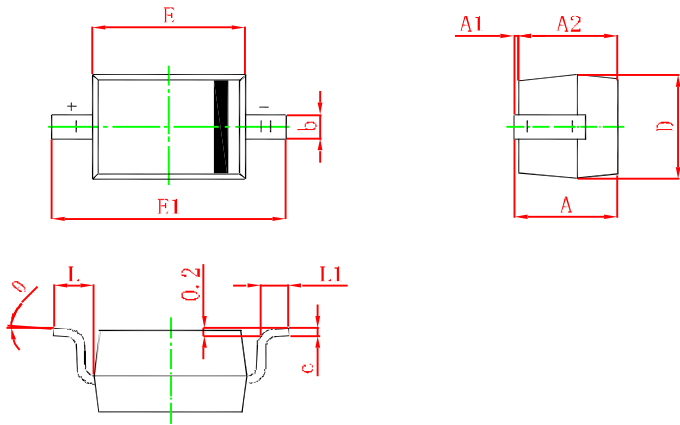


Power Derating Curve





■ SOD-323 Package Outline Dimensions



Symbol	Min.(mm)	Max.(mm)
A		1.000
A1	0.000	0.100
A2	0.800	0.900
b	0.250	0.350
c	0.080	0.150
D	1.200	1.400
E	1.600	1.800
E1	2.500	2.700
L	0.475REF	
L1	0.250	0.400
$\theta$	0°	8°