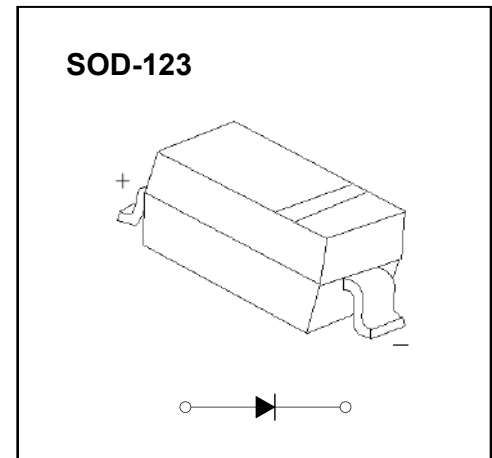


## ■ Features

- High Current Capability
- Low Forward Voltage Drop

## ■ Mechanical Data

- package:SOD-123
- Polarity: Color band denotes cathode end
- Flammability rating of epoxy resin: UL 94V-0
- Mounting Position: Any.



## ■ Ordering Information

Part Number	Package	Marking	Packing	Quantity per reel	Reel Size
SD103AW	SOD-123	S4	Tape & Reel	3,000 PCS	7 inches
SD103BW	SOD-123	S5	Tape & Reel	3,000 PCS	7 inches
SD103CW	SOD-123	S6	Tape & Reel	3,000 PCS	7 inches

## ■ Maximum Ratings & Thermal Characteristics(Ratings at 25℃ ambient temperature unless otherwise specified.)

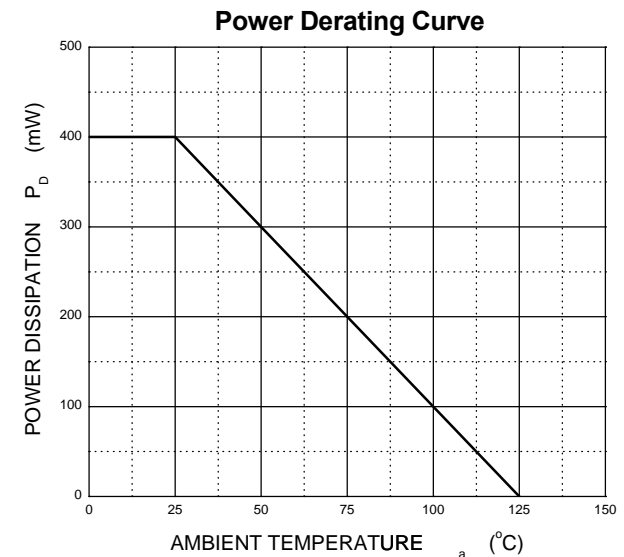
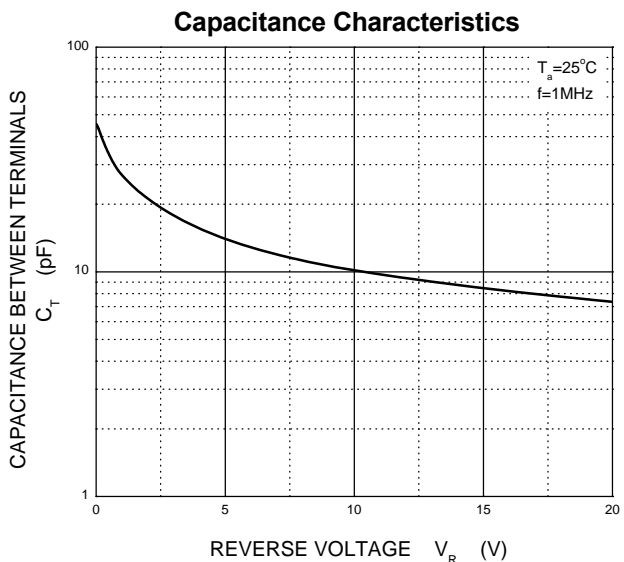
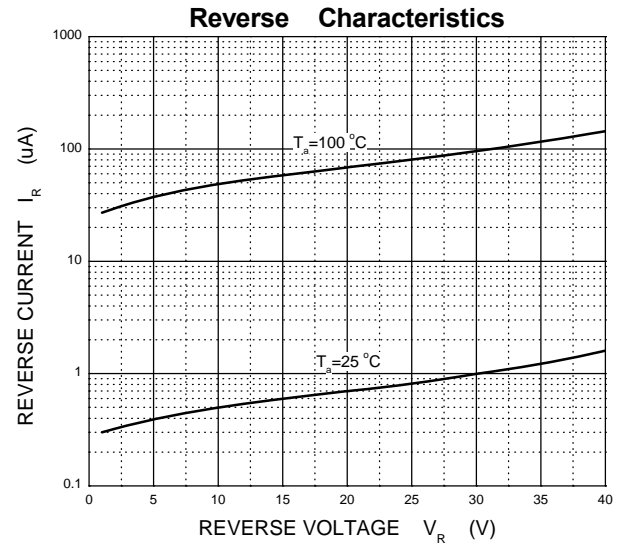
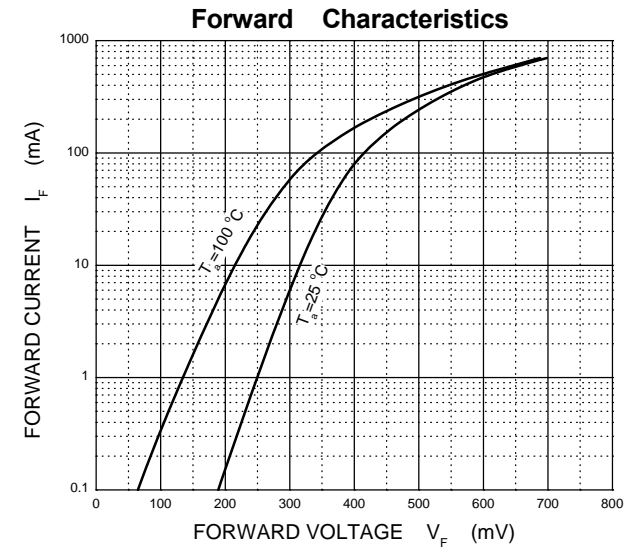
Parameters	Symbol	SD103AW	SD103BW	SD103CW	Unit
Maximum repetitive peak reverse voltage	VRRM	40	30	20	V
Maximum RMS voltage	VRMS	28	21	14	V
Maximum DC blocking voltage	VDC	40	30	20	V
Maximum average forward rectified current	IFM	350			mA
Peak forward surge current 8.3ms single half sine-wave	IFSM	2			A
Power Dissipation	PD	400			mW
Typical thermal resistance	RθJA	250			℃/W
Operating junction temperature	Tj	125			℃
Storage temperature range	TSTG	-50-+150			℃



■ Electrical Characteristics (Ratings at 25 °C ambient temperature unless otherwise specified)

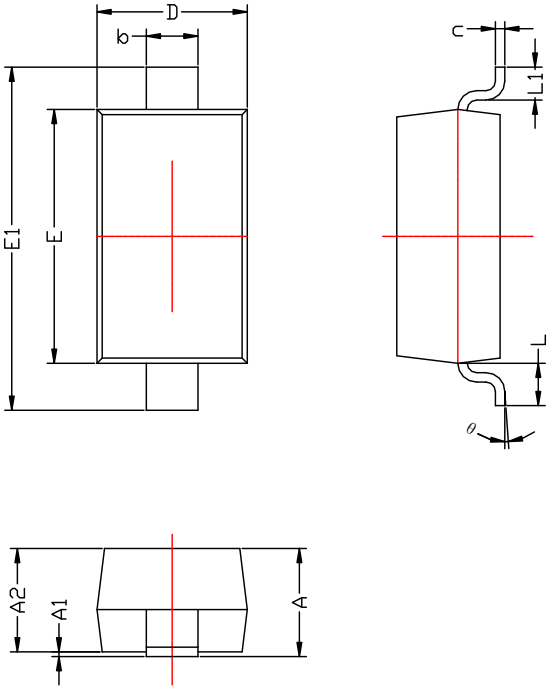
Parameters	Symbol	Test conditions	SD103AW	SD103BW	SD103CW	Unit
Maximum forward voltage	V <sub>F</sub>	I <sub>F</sub> = 20mA I <sub>F</sub> = 200mA	0.370 0.600			V
Maximum reverse breakdown voltage	V <sub>R</sub>	I <sub>R</sub> = 100uA	40	30	20	V
Maximum reverse current	I <sub>R</sub>	V <sub>R</sub> = 30V <b>SD103AW</b> V <sub>R</sub> = 20V <b>SD103BW</b> V <sub>R</sub> = 10V <b>SD103CW</b>	5.0			uA
Type junction capacitance	C <sub>j</sub>	V <sub>R</sub> = 0V, f = 1MHz	50			pF
Reverse recovery time	T <sub>rr</sub>	I <sub>F</sub> = I <sub>R</sub> = 200mA, I <sub>rr</sub> = 0.1 × I <sub>R</sub> , R <sub>L</sub> = 100 Ω	10			ns

■ Typical Characteristics





■ SOD-123 Package Outline Dimensions



Symbol	Dimensions	
	MIN	MAX
A	1.050	1.250
A1	0.000	0.100
A2	1.050	1.150
b	0.450	0.650
c	0.080	0.150
D	1.500	1.700
E	2.600	2.800
E1	3.550	3.850
L	0.500REF	
L1	0.250	0.450
θ	0°	8°